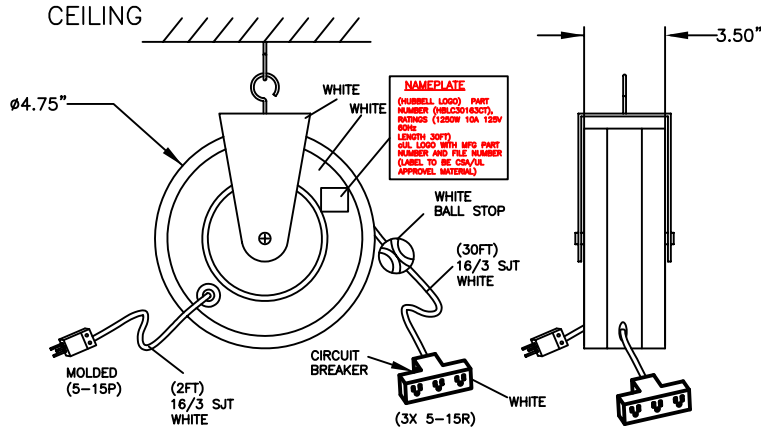
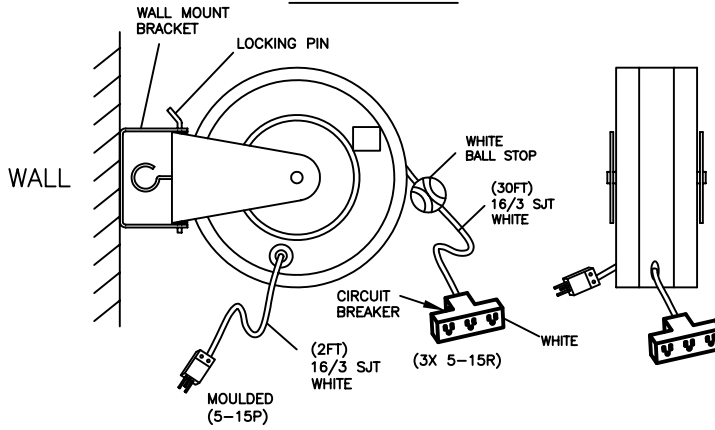


CEILING MOUNT



WALL MOUNT



SPECIFICATIONS:

- 9 1/2" DIA. x 3 1/2" DEPTH
- WHITE REEL HOUSING
- WHITE BELLY BAND & MOUNTING BRACKET
- 30' 16/3 SJT RETRACTING WHITE CORD w/ WHITE MOLDED TRIPLE TAP RECEPTACLE (5-15R)
- 2' 16/3 SJT POWER WHITE CORD w/ WHITE MOLDED PLUG (5-15P)
- SLIDING BALL STOP INCLUDED
- ALL CEILING AND WALL MOUNT HARDWARE INCLUDED
- MFG P/N 5000A-30GF-CB

REV: A1 - cord, outlet & receptacle changed to white 9/20/04 - MJ
 REV: A2 - added breaker, all white unit added notes on unit specifications
 REV: A3 - added wall mount view - 02/08/2010 - SR



Hubbell Canada Inc.
 870 Brock Road South
 Pickering, ON L1W 1Z8
 Tel:(905)839-4332
 Fax:(905)839-9120
 www.hubbell-canada.com

SPECIFICATION:
 CORD SJT 16/3 30FT WHITE

MAX RATING;
 1250W 10A 125V 60Hz

UNIT TO BE ALL WHITE WITH
 CIRCUIT BREAKER

CUSTOMER APPROVAL:

TITLE: **HBLC30163CT**

PROJECT NAME: Cord Reel

DRAWN BY: JA DATE: 01/09/04 DWG NO.: A10972

CHK'D BY: FM SCALE: NTS SHEET: 1/1

REV: A3