

PL17 Series

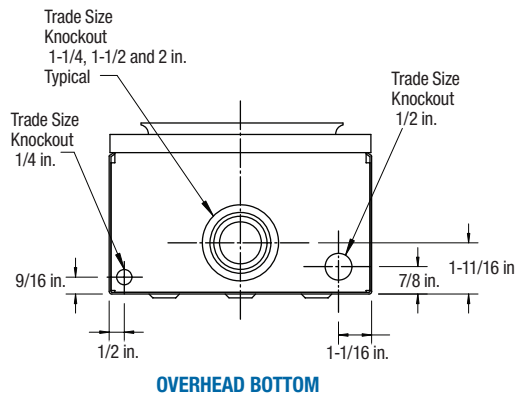
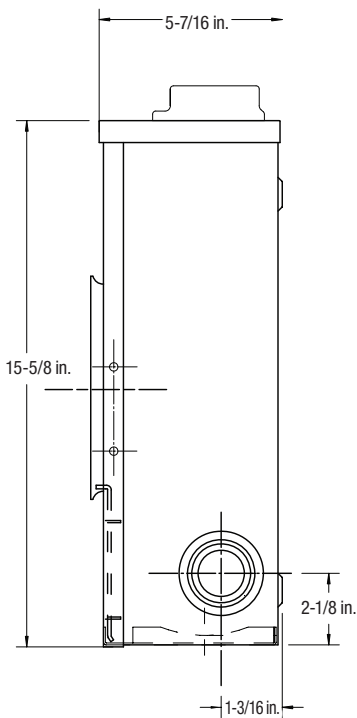
100 A 600 V; Polyphase

Product Specifications

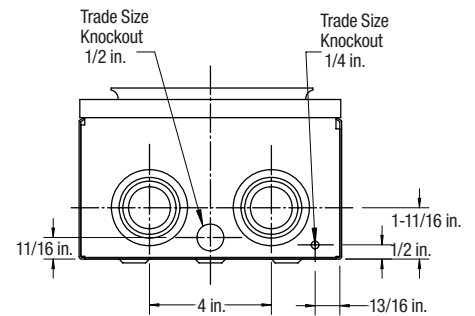
- Conductor range: 6-1/0 AWG
- Aluminum tunnel type connectors for both load and line sides
- For overhead, underground and combination overhead/underground
- Supplied with screw type ring
- Weatherproof Type 3R enclosure
- **Primarily used in: All provinces**



(PL17-INV)



OVERHEAD BOTTOM



COMBINATION AND UNDERGROUND BOTTOM

 Approved for copper or aluminum

Cat. No.	Description	Dimensions (in.)			Weight Each	
		H	W	D	lb.	kg
7 JAW						
PL17-INV	Overhead, hub opening	15-5/8	8-9/16	5-7/16	12	5.4
PL17-INV-HQ	Overhead, hub opening (Hydro-Québec approved)					
PL17-INTV-HQ	Underground (Hydro-Québec spec)					
PL17-INTCV	Combination overhead-underground					
PL17-INTCV-HQ	Combination overhead-underground (Hydro-Québec approved)					
PL17-V	Overhead, hub opening					
PL17-TV	Underground					
PL17-TCV	Combination overhead-underground					
FACTORY INSTALLED ACCESSORIES						
Include: -IN	Insulated neutral					