



SHOP DRAWING

HIGH-END BASEBOARD BA SERIES



FEATURES

COLOURS

- standard: white
- ORORA (optional): denim blue, midnight blue, turquoise, moss green, canary yellow, red, orange, anodized aluminum paint, gravel gray, charcoal, espresso, black (refer to page 8 of the catalogue)

FINISH

epoxy-polyester powdercoat

MANUFACTURING

- 22-gauge steel cabinet
- extruded aluminum front cover with a thickness equivalent to 11 gauge with molded and curved end-caps
- discreet air inlet: air enters through the front of the unit and exits from the top
- thermal protection with automatic reset
- full-length wireway

ELEMENT

single tubular, stainless steel sheathed element with boxed aluminum fins for improved heat dissipation; the element is securely fastened at its center, floating in nylon sleeves at each end, eliminating expansion and contraction noises

CONTROL

- wall thermostat (not included) – the use of an electronic thermostat is strongly recommended
- built-in mechanical single pole or double pole thermostat, installed in the left or right junction box (optional)
- low voltage relay kit installed in the left or right junction box (optional)
- disconnect switch (optional)

INSTALLATION

- floor mounted
- wiring compartment at both ends of unit

* Lifetime warranty on the heating element (for original owner).

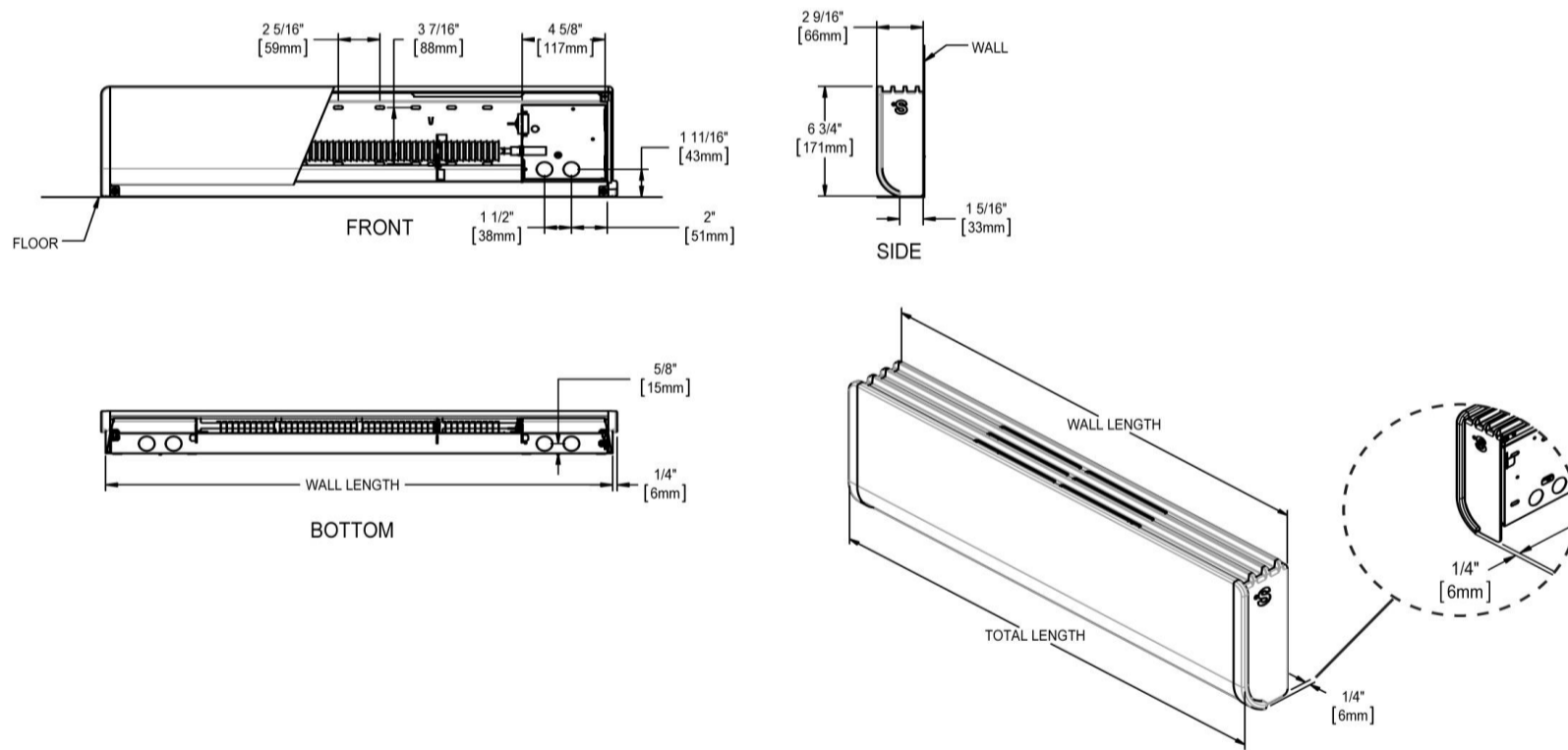
SHOP DRAWING

HIGH-END BASEBOARD BA SERIES

COLOR:

TYPE	QTY	MODEL	WATTS	VOLTS	LENGTH	ACCESSORIES

TECHNICAL DRAWING



MODEL	DESCRIPTION	DELIVERY TIME

COMMENTS:	PROJECT:	
	CONTRACTOR:	
	DISTRIBUTOR:	
	ENGINEER:	
	ARCHITECT:	
	DATE:	