



# SHOP DRAWING

## MINI PATIO DOOR HEATER SPDH SERIES



## FEATURES

### COLOURS

- standard: white, soft white
- ORORA (optional): denim blue, midnight blue, turquoise, moss green, canary yellow, red, orange, anodized aluminum paint, gravel gray, charcoal, espresso, black (refer to page 8 of the catalogue)

### FINISH

epoxy-polyester powdercoat

### MANUFACTURING

- 3 in. x 3 in. compact profile
- solid, 18-gauge steel cabinet and front that may be used as a step
- thermal protection with automatic reset
- full-length wireway
- pencil-proof openings of less than 1/4 in. (6.4 mm) prevent foreign objects from entering the unit

### ELEMENT

single tubular, stainless steel sheathed element with boxed aluminum fins for improved heat dissipation; the element is securely fastened at its center, floating in nylon sleeves at each end, eliminating expansion and contraction noises

### CONTROL

- wall thermostat (not included) – the use of an electronic thermostat is strongly recommended
- built-in thermostat accessible without removing front grille, installed in the left junction box only (optional)
- low voltage relay kit installed in the left junction box only (optional)

### INSTALLATION

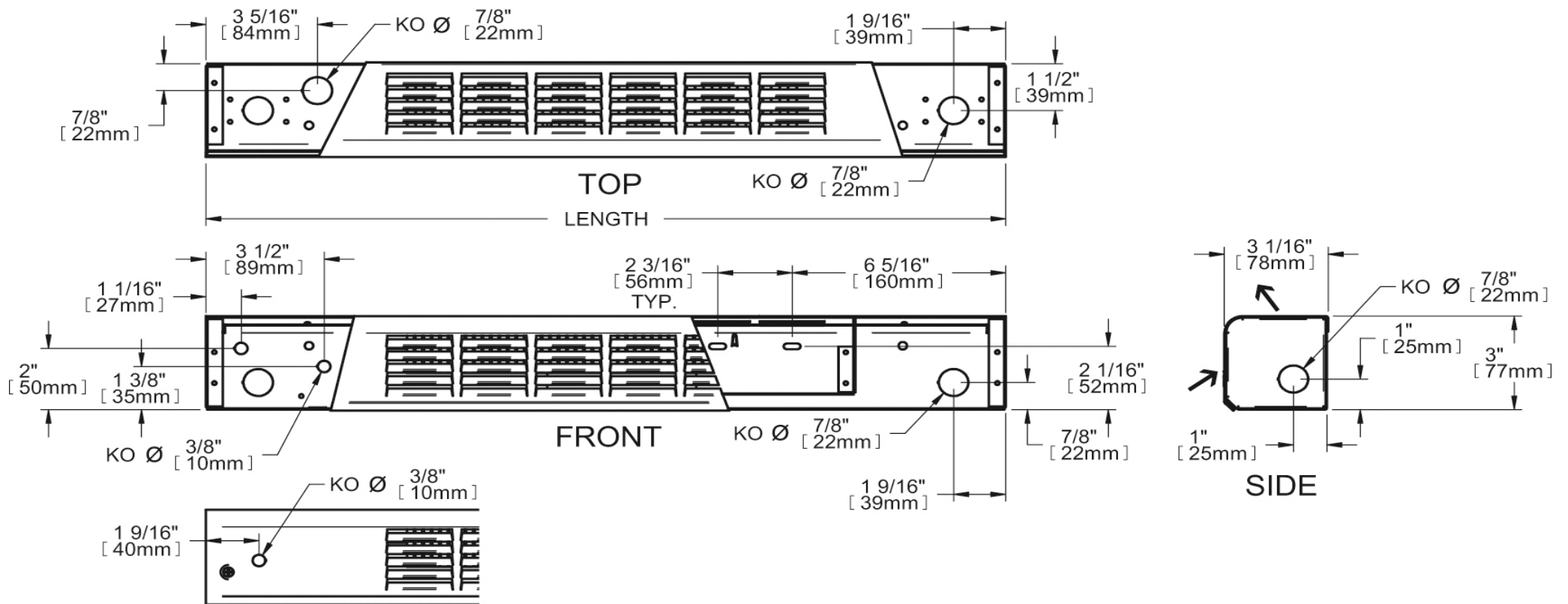
- surface mounted
- wall or floor mounted with or without pedestal kit (optional)
- wiring compartment at both ends of unit
- blank sections (custom lengths) and accessories are available for a continuous effect (optional)



**COLOR:**

TYPE	QTY	MODEL	WATTS	VOLTS	LENGTH	ACCESSORIES

**TECHNICAL DRAWING**



MODEL	DESCRIPTION	DELIVERY TIME

<b>COMMENTS:</b>	<b>PROJECT:</b>	
	<b>ARCHITECT:</b>	
	<b>ENGINEER:</b>	
	<b>CONTRACTOR:</b>	
	<b>DISTRIBUTOR:</b>	
	<b>DATE:</b>	