

# BA | BELLA™

## HIGH-END BASEBOARD



## LA DOLCE VITA WITH BELLA

The high-end BELLA baseboard is undoubtedly the most beautiful offered on the market. Its breathtaking design and sturdy aluminum-extruded facade make it the ideal choice for residential and commercial locations. The BELLA is available in two densities: 150 W or 250 W per linear foot.

### CLEAN AND HIGH-END FINISH

**EXTREMELY SOLID,  
IMPACT AND RUST RESISTANT**  
MADE OF EXTRUDED ALUMINUM

**FIT FOR RESIDENTIAL AND  
COMMERCIAL ENVIRONMENTS**

**TOTALLY QUIET**

### COLOURS

- **standard:** white
- **ORORA (optional):** refer to [www.stelpro.com/en-CA/orora](http://www.stelpro.com/en-CA/orora)

### FINISH

- epoxy-polyester powdercoat

### MANUFACTURING

- 22-gauge steel cabinet
- 11-gauge equivalent extruded aluminum with molded and curved end-caps
- discreet air inlet: air enters through the front of the unit and exits from the top
- thermal protection with automatic reset
- full-length wireway

### ELEMENT

- single tubular, stainless steel sheathed element with boxed aluminum fins for improved heat dissipation; the element is securely fastened at its centre, floating in nylon sleeves at each end, eliminating expansion and contraction noises

### CONTROL

- wall thermostat (not included) – the use of an electronic thermostat is strongly recommended
- built-in mechanical single pole or double pole thermostat, installed in the left or right junction box (optional)
- low voltage relay kit installed in the left or right junction box (optional)
- disconnect switch (optional)

### INSTALLATION

- surface mounted
- wiring compartment at both ends of unit

### WARRANTY

- five years, \*lifetime warranty on the heating element (for original owner)

#### IDEAL FOR:

kitchen, living room, bedroom, basement, commercial space, office

# °STELPRO

°STELPRO reserves the right to modify descriptions, manufacturing specifications or prices without prior notice. No returns accepted on optional-colour products. For all the latest models and prices, please refer to our website at [www.stelpro.com](http://www.stelpro.com).



# TECHNICAL SPECIFICATIONS

DENSITY OF 250 W PER LINEAR FOOT			DENSITY OF 150 W PER LINEAR FOOT			VOLTAGE	TOTAL LENGTH		WALL LENGTH		WEIGHT	
CODE	WATTS	PRICE	CODE	WATTS	PRICE	VOLTS	MM	IN.	MM	IN.	KG	LB
BA0301	300	136.00	---	---	---	120	529	20 13/16	516	20 5/16	2.3	5.1
BA0308	300	110.00	---	---	---	208	529	20 13/16	516	20 5/16	2.3	5.1
BA0302	300/225	110.00	---	---	---	240/208	529	20 13/16	516	20 5/16	2.3	5.1
---	300	---	---	---	---	347	529	20 13/16	516	20 5/16	2.3	5.1
---	300	---	---	---	---	600	529	20 13/16	516	20 5/16	2.3	5.1
BA0501	500	142.00	BAL0301	300	142.00	120	732	28 13/16	719	28 5/16	3.0	6.5
BA0508	500	116.00	BAL0308	300	116.00	208	732	28 13/16	719	28 5/16	3.0	6.5
BA0502	500/375	116.00	BAL0302	300/225	116.00	240/208	732	28 13/16	719	28 5/16	3.0	6.5
BA0503	500	142.00	---	300	---	347	732	28 13/16	719	28 5/16	3.0	6.5
---	500	---	---	300	---	600	732	28 13/16	719	28 5/16	3.0	6.5
BA0751	750	165.00	BAL0451	450	165.00	120	978	38 1/2	965	38	3.6	8.0
BA0758	750	136.00	BAL0458	450	136.00	208	978	38 1/2	965	38	3.6	8.0
BA0752	750/560	136.00	BAL0452	450/340	136.00	240/208	978	38 1/2	965	38	3.6	8.0
BA0753	750	165.00	BAL0453	450	165.00	347	978	38 1/2	965	38	3.6	8.0
BA0756	750	165.00	---	450	---	600	978	38 1/2	965	38	3.6	8.0
BA1001	1000	193.00	BAL0601	600	193.00	120	1229	48 3/8	1216	47 7/8	4.4	9.7
BA1008	1000	158.00	BAL0608	600	158.00	208	1229	48 3/8	1216	47 7/8	4.4	9.7
BA1002	1000/750	158.00	BAL0602	600/450	158.00	240/208	1229	48 3/8	1216	47 7/8	4.4	9.7
BA1003	1000	193.00	BAL0603	600	193.00	347	1229	48 3/8	1216	47 7/8	4.4	9.7
BA1006	1000	193.00	---	600	---	600	1229	48 3/8	1216	47 7/8	4.4	9.7
BA1251	1250	234.00	BAL0751	750	234.00	120	1478	58 3/16	1465	57 11/16	5.2	11.4
BA1258	1250	187.00	BAL0758	750	187.00	208	1478	58 3/16	1465	57 11/16	5.2	11.4
BA1252	1250/940	187.00	BAL0752	750/560	187.00	240/208	1478	58 3/16	1465	57 11/16	5.2	11.4
BA1253	1250	234.00	BAL0753	750	234.00	347	1478	58 3/16	1465	57 11/16	5.2	11.4
BA1256	1250	234.00	BAL0756	750	234.00	600	1478	58 3/16	1465	57 11/16	5.2	11.4
BA1501	1500	246.00	BAL0901	900	246.00	120	1707	67 3/16	1694	66 11/16	6.0	13.2
BA1508	1500	200.00	BAL0908	900	200.00	208	1707	67 3/16	1694	66 11/16	6.0	13.2
BA1502	1500/1125	200.00	BAL0902	900/675	200.00	240/208	1707	67 3/16	1694	66 11/16	6.0	13.2
BA1503	1500	246.00	BAL0903	900	246.00	347	1707	67 3/16	1694	66 11/16	6.0	13.2
BA1506	1500	246.00	BAL0906	900	246.00	600	1707	67 3/16	1694	66 11/16	6.0	13.2
---	1750	---	BAL1051	1050	290.00	120	1953	76 7/8	1940	76 3/8	6.8	15.0
BA1758	1750	240.00	BAL1058	1050	240.00	208	1953	76 7/8	1940	76 3/8	6.8	15.0
BA1752	1750/1310	240.00	BAL1052	1050/790	240.00	240/208	1953	76 7/8	1940	76 3/8	6.8	15.0
BA1753	1750	290.00	BAL1053	1050	290.00	347	1953	76 7/8	1940	76 3/8	6.8	15.0
BA1756	1750	290.00	BAL1056	1050	290.00	600	1953	76 7/8	1940	76 3/8	6.8	15.0
---	2000	---	BAL1201	1200	316.00	120	2154	84 13/16	2141	84 5/16	7.7	16.9
BA2008	2000	263.00	BAL1208	1200	263.00	208	2154	84 13/16	2141	84 5/16	7.7	16.9
BA2002	2000/1500	263.00	BAL1202	1200/900	263.00	240/208	2154	84 13/16	2141	84 5/16	7.7	16.9
BA2003	2000	316.00	BAL1203	1200	316.00	347	2154	84 13/16	2141	84 5/16	7.7	16.9
BA2006	2000	316.00	BAL1206	1200	316.00	600	2154	84 13/16	2141	84 5/16	7.7	16.9
---	2250	---	---	1350	---	120	2405	94 11/16	2392	94 3/16	8.6	18.8
BA2258	2250	292.00	BAL1358	1350	292.00	208	2405	94 11/16	2392	94 3/16	8.6	18.8
BA2252	2250/1690	292.00	BAL1352	1350/1010	292.00	240/208	2405	94 11/16	2392	94 3/16	8.6	18.8
BA2253	2250	348.00	BAL1353	1350	348.00	347	2405	94 11/16	2392	94 3/16	8.6	18.8
BA2256	2250	348.00	BAL1356	1350	348.00	600	2405	94 11/16	2392	94 3/16	8.6	18.8
---	2500	---	---	1500	---	120	2629	103 1/2	2616	103	9.4	20.7
BA2508	2500	312.00	BAL1508	1500	312.00	208	2629	103 1/2	2616	103	9.4	20.7
BA2502	2500/1875	312.00	BAL1502	1500/1125	312.00	240/208	2629	103 1/2	2616	103	9.4	20.7
BA2503	2500	371.00	BAL1503	1500	371.00	347	2629	103 1/2	2616	103	9.4	20.7
BA2506	2500	371.00	BAL1506	1500	371.00	600	2629	103 1/2	2616	103	9.4	20.7

Add W for white (consult the optional colours chart or contact your \*STELPRO representative for all other colours).  
 Models also available in 277 V and 480 V.  
 --- not available

# ACCESSORIES

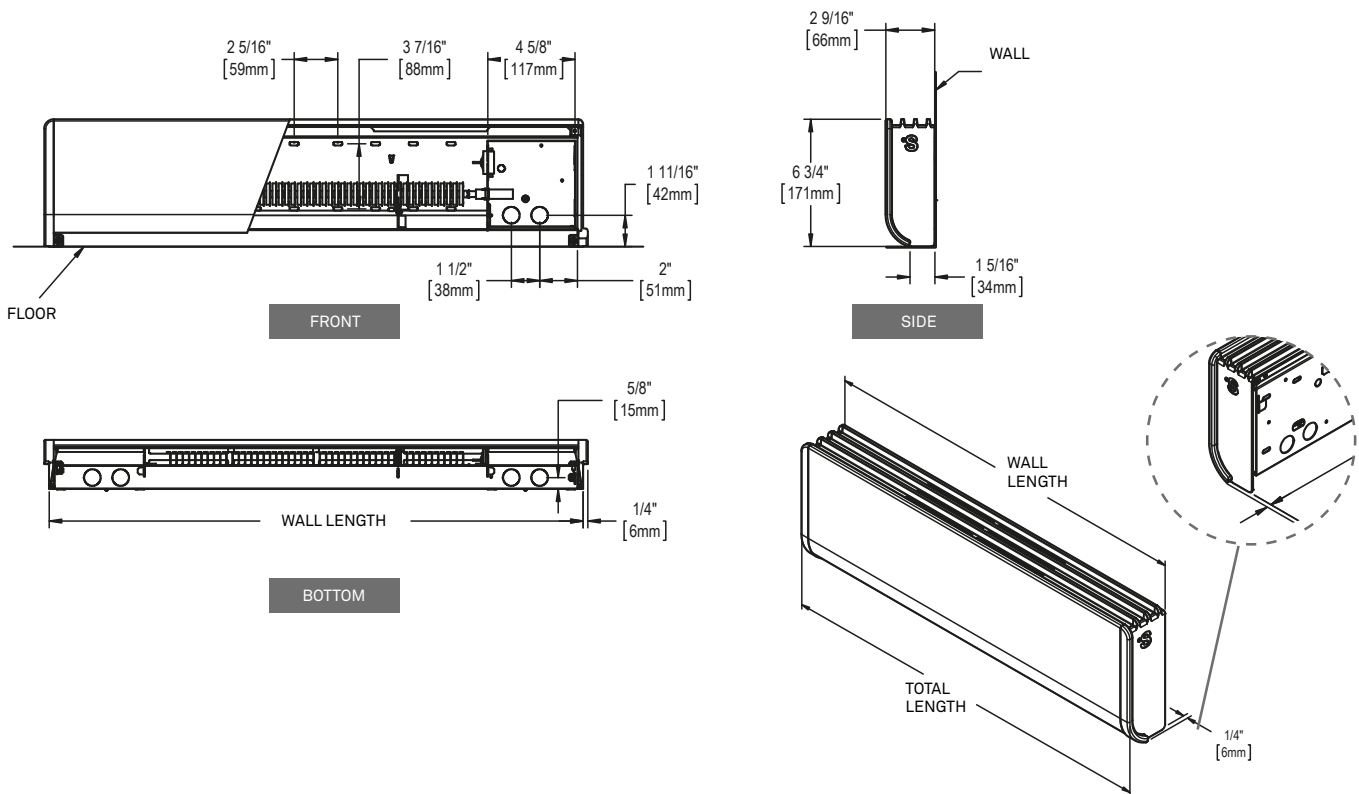
PRODUCT	DESCRIPTION	PRICE
BA1T1W*	built-in single pole thermostat [120 V-600 V]	28.00
BA2T1W*	built-in double pole thermostat [120 V-600 V]	33.00
BARE153*	built-in electronic low voltage relay [15 A @ 120 V-347 V]	58.00
BARE156*	built-in electronic low voltage relay [6 A @ 600 V]	91.00
BARE153T*	built-in electronic low voltage relay c/w transformer 24 V [15 A @ 208 V-347 V]	73.00
BARM240T*	built-in electromechanical relay c/w transformer 24 V [6000 W @ 240 V and 5200 W @ 208 V]	67.00
BARM347T*	built-in electromechanical relay c/w transformer 24 V [6000 W @ 347 V]	70.00
BARM347C*	built-in electromechanical relay w/o transformer 24 V [6000 W @ 120 V-347 V]	52.00
BAR841D1036*	built-in electromechanical low voltage relay w/o transformer 24 V [6000 W @ 600 V]	101.00
BADIS*	disconnect switch [120 V-480 V]	93.00
BADIS6*	disconnect switch [600 V]	140.00

Electronic relays can receive a PWM (pulsed width modulation) or digital (on/off) signal.

\* Factory installed

\* Factory installation is strongly recommended.

## TECHNICAL DRAWINGS





\*STELPRO reserves the right to modify descriptions, manufacturing specifications or prices without prior notice. No returns accepted on optional-colour products. For all the latest models and prices, please refer to our website at [www.stelpro.com](http://www.stelpro.com).