

HC-M-RJ45-08-GC-F/F - Contact insert module



1419886

<https://www.phoenixcontact.com/in/products/1419886>

Please be informed that the data shown in this PDF document is generated from our online catalog. Please find the complete data in the user documentation. Our general terms of use for downloads are valid.



Contact insert module, number of positions: RJ45, type : RJ45, Socket, 48 V, 1 A, application: Data, Gender changer

Commercial data

| | |
|--------------------------------------|---------------------|
| Item number | 1419886 |
| Packing unit | 1 pc |
| Minimum order quantity | 1 pc |
| Sales key | BF7 |
| Product key | BF7ACE |
| Catalog page | Page 591 (C-2-2019) |
| GTIN | 4055626253244 |
| Weight per piece (including packing) | 27.1 g |
| Weight per piece (excluding packing) | 27.1 g |
| Customs tariff number | 85366990 |
| Country of origin | PL |

HC-M-RJ45-08-GC-F/F - Contact insert module



1419886

<https://www.phoenixcontact.com/in/products/1419886>

Technical data

Notes

| | |
|---------|--|
| General | Use the patch cable from the accessories list. |
| General | Connectors may be operated only when there is no load/voltage. |

Mounting

| | |
|-----------------------|---|
| Assembly instructions | To ensure correct use, installation in housing with IP54 protection or better is required |
|-----------------------|---|

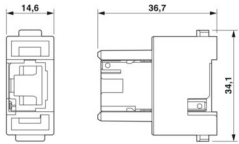
Product properties

| | |
|------------------------|------------------------|
| Product type | Modular contact insert |
| Sensor type | Ethernet |
| Number of positions | 8 |
| Connection profile | RJ45 |
| Contact numbering | 1 - 8 |
| Application | Data |
| Number of module slots | 1 |
| Type | RJ45 |
| Series | HC-M-RJ45 |

Insulation characteristics

| | |
|----------------------|-----|
| Overvoltage category | III |
| Degree of pollution | 3 |

Dimensions

| | |
|---------------------|--|
| Dimensional drawing |  |
| Width | 34.2 mm |
| Height | 36.7 mm |
| Length | 14.6 mm |

Mechanical characteristics

| | |
|------------------------|-------|
| Minimum housing height | 72 mm |
|------------------------|-------|

Electrical properties

| | |
|---|---|
| Rated voltage (III/3) | 48 V |
| Rated surge voltage | 0.8 kV |
| Rated current | 1 A |
| Transmission characteristics (category) | CAT6 _A (IEC 60512-27-100:2008, TIA-568-C.2:2009) |

Mechanical properties

HC-M-RJ45-08-GC-F/F - Contact insert module



1419886

<https://www.phoenixcontact.com/in/products/1419886>

Mechanical data

| | |
|-----------------------------|-------|
| Insertion/withdrawal cycles | ≥ 500 |
|-----------------------------|-------|

Material specifications

| | |
|--|---|
| Flammability rating according to UL 94 | V0 |
| Contact material | Copper alloy |
| Contact surface material | Au |
| Contact carrier material | PC |
| Standards/regulations | PC: Fire protection in rail vehicles - requirement sets R22, R23, and R24 acc. to DIN EN 45545-2 (Risk level HL1 - HL3) |

Environmental and real-life conditions

Ambient conditions

| | |
|---------------------------------|------------------|
| Ambient temperature (operation) | -40 °C ... 70 °C |
|---------------------------------|------------------|

Standards and regulations

Testing

| | |
|-----------------------|---|
| Standards/regulations | PC: Fire protection in rail vehicles - requirement sets R22, R23, and R24 acc. to DIN EN 45545-2 (Risk level HL1 - HL3) |
|-----------------------|---|

Phoenix Contact 2024 © - all rights reserved
<https://www.phoenixcontact.com>

PHOENIX CONTACT (I) Pvt. Ltd.
A-58/2, Okhla Industrial Area, Phase - II, New Delhi-110 020

+91.1275.71420
info@phoenixcontact.co.in