

# SI-RND-R1A - Data interface



1425186

<https://www.phoenixcontact.com/in/products/1425186>

Please be informed that the data shown in this PDF document is generated from our online catalog. Please find the complete data in the user documentation. Our general terms of use for downloads are valid.

Service socket with RJ45 (socket/socket), 8-pos. metal, CAT6A connection, with protective cover



## Commercial data

Item number	1425186
Packing unit	1 pc
Minimum order quantity	1 pc
Sales key	BF7
Product key	BF7EGX
Catalog page	Page 720 (C-2-2019)
GTIN	4055626386706
Weight per piece (including packing)	31.8 g
Weight per piece (excluding packing)	29.9 g
Customs tariff number	85366990
Country of origin	DE

# SI-RND-R1A - Data interface

1425186

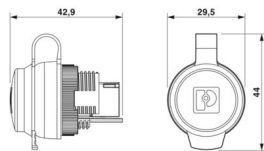
<https://www.phoenixcontact.com/in/products/1425186>

## Technical data

### Product properties

Product type	Data front plate
Number of positions	8
Connection profile	RJ45

### Dimensions

Dimensional drawing	
Width	29.5 mm
Height	42.7 mm

### Material specifications

Material Housing	PA
Flammability rating according to UL 94	V0
Contact material	Copper alloy
Contact surface material	gold-plated

### Mechanical properties

#### Mechanical data

Insertion/withdrawal cycles	≥ 750
-----------------------------	-------

### Environmental and real-life conditions

#### Ambient conditions

Degree of protection	IP65 (with closed protective cover)
Ambient temperature (operation)	-40 °C ... 70 °C

### Mounting

Assembly instructions	Panel thickness: 1 mm ... 3 mm
Panel thickness	1 mm ... 3 mm

Phoenix Contact 2024 © - all rights reserved  
<https://www.phoenixcontact.com>

PHOENIX CONTACT (I) Pvt. Ltd.  
A-58/2, Okhla Industrial Area, Phase - II, New Delhi-110 020

+91.1275.71420  
[info@phoenixcontact.co.in](mailto:info@phoenixcontact.co.in)