

Straight Blade Devices
15A, 125V, 2 Pole, 3 Wire Grounding
Hubbell-Pro™ Heavy Duty Duplex Receptacles

HUBBELL

Features

- Easy access split circuit tab
- Smooth face
- Triple wipe contacts
- Wrap-around galvanized steel strap

Ordering Information

Description	Device Color	UPC	Catalog Number
Back and side wired	Brown	783585109695	5252AB

Listings

UL File No. E2186
 Certified to CSA 22.2, No. 42 File 285
 Fed. Spec. W-C-596
 NEMA® WD-6 Compliant

Specifications

Material	Thermoplastic/Composite
Contacts	Brass
Mounting Strap	Galvanized steel
Automatic Self-grounding Staple	Stainless steel
Mounting Screws	Zinc plated steel

Performance

Electrical

Current Interrupting	Certified for current interrupting at full rated current
Dielectric Voltage	Withstands 2,000V minimum

Mechanical

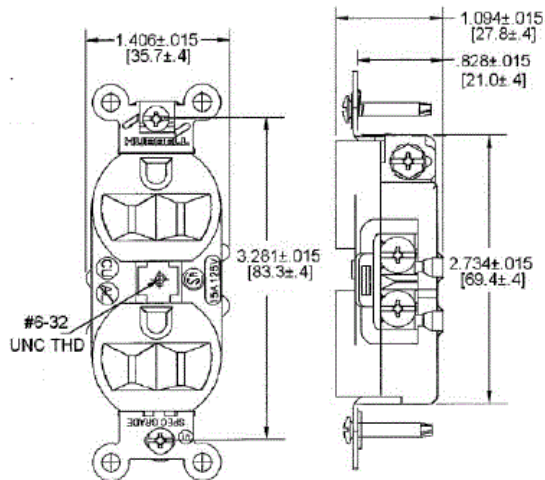
Product Identification	Ratings are a permanent part of the device
Terminal Accommodation	#14-#10 AWG copper stranded or solid conductor only
Terminal Identification	Terminal wire leads identified in accordance with UL 498

Environmental

Flammability	UL 94 V-2
Operating Temperatures	Maximum continuous 75°C; minimum -40°C (w/o impact)



15A 125V
NEMA 5-15R
 UL CSA
 0.5 HP



Online Resources

Customer Use Drawing
 eCatalog
 Installation Instructions

Accessories

Wallplate or Weatherproof Cover

Duplex Opening

Dimensions in Inches (mm)

Hubbell Wiring Device-Kellems • Hubbell Incorporated (Delaware) • 40 Waterview Drive • Shelton, CT 06484

Phone (800) 288-6000 • Fax (800) 255-1031 • Specifications subject to change without notice.

