



LED MR16

6.5MR16/F35/2700-2200 DIM 12V

Philips LED MR-16 lamps with single optic technology provide the look and color quality of traditional halogens while using a fraction of the energy. A perfect fit for spot lighting, they are compatible with most existing fixtures with MR16 GU5.3 holders and are designed as a retrofit replacement for halogen or incandescent spots.

Product data

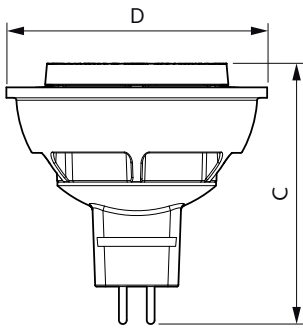
General Information		Power Consumption	
Cap-Base	GU5.3	Power Consumption	6.5 W
Nominal lifetime	25,000 hour(s)	Lamp Current (Nom)	690 mA
Switching Cycle	50,000	Wattage Equivalent	35 W
Lighting Technology	LED	Starting Time (Nom)	0.5 s
EU RoHS compliant	Yes	Warm-up time to 60% light	0.5 s
		Power Factor (Fraction)	0.7
		Voltage (Nom)	ac electronic 12 V
Light Technical		Temperature	
Color Code	822-827 [tunable warm white]	T-Case Maximum (Nom)	80 °C
Beam Angle (Nom)	35 degree(s)		
Luminous Flux	455 lm	Controls and Dimming	
Luminous Intensity (Nom)	950 cd	Dimmable	Only with specific dimmers
Color Designation	Warm Glow(WG)		
Correlated Color Temperature (Nom)	2200 2700 K	Mechanical and Housing	
Luminous Efficacy (rated) (Nom)	70.00 lm/W	Bulb Finish	Clear
Color Consistency	<6	Bulb Material	Aluminum
Color rendering index (CRI)	80	Bulb Shape	MR16
LLMF At End Of Nominal Lifetime (Nom)	70 %	UL Wet/ damp/ dry location	Damp location
Operating and Electrical		Approval and Application	
Line Frequency	- Hz	Suitable For Accent Lighting	Yes
Input Frequency	- Hz		

LED MR16

Energy Certifications	Energy Star
T20 compliant	No
Application Conditions	
can it be used in closed luminaires	Yes
Product Data	
Order product name	6.5MR16/F35/2700-2200 DIM 12V
Full product name	6.5MR16/F35/2700-2200 DIM 12V

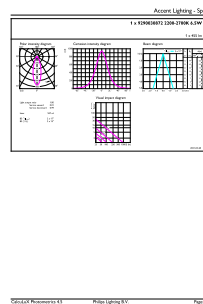
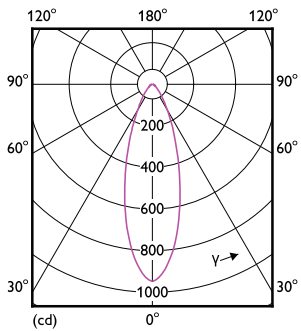
Order code	574418
Material Nr. (12NC)	929003087204
Numerator - Quantity Per Pack	1
EAN/UPC - Product/Case	046677574413
Numerator - Packs per outer box	10
EAN/UPC - Case	50046677574418

Dimensional drawing



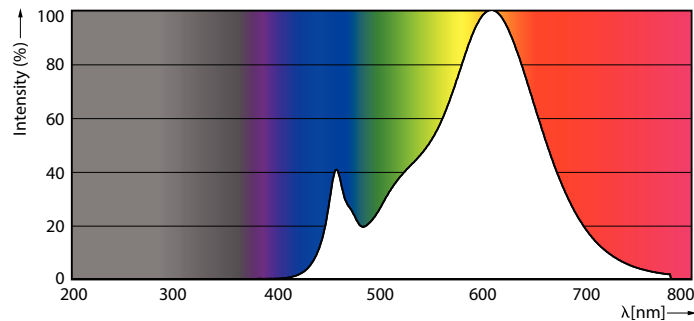
Product	D	C
6.5MR16/F35/2700-2200 DIM 12V	51 mm	50.5 mm

Photometric data



Light Distribution Diagram - 6.5MR16/F35/2700-2200 DIM 12V

Accent Lighting Spots - 6.5MR16/F35/2700-2200 DIM 12V



Spectral Power Distribution Colour - 6.5MR16/F35/2700-2200 DIM 12V

LED MR16

Lifetime



Life Expectancy Diagram - 6.5MR16/F35/2700-2200 DIM 12V

Lumen Maintenance Diagram - 6.5MR16/F35/2700-2200 DIM 12V

