

# SHU | OXFORD™

## COMMERCIAL AND INDUSTRIAL UNIT HEATER



**OXFORD™**  
SERIES | SÉRIE



### THE POWER OF DISPERSION

Stelpro designs heaters for all circumstances. Take the SHU, the large volume heater that is distinguished by its appealing appearance, its manufacturing and its sturdy composition. It is usually installed in large garages, but it is not uncommon for it to be seen in warehouses or any other kind of commercial construction site requiring a generous volume of heat. The SHU works with great ease and has an incredible power scale from 2 kW to 60 kW. What could be better!

- **INSTANT HEAT**
- **PERMANENTLY LUBRICATED MOTOR**
- **WIDE RANGE OF POWER:  
2 KW TO 60 KW**
- **WALL OR CEILING INSTALLATION  
BRACKET INCLUDED**

#### COLOUR

- charcoal

#### FINISH

- epoxy-polyester powdercoat

#### MANUFACTURING

- heavy-duty, 18-gauge steel cabinet
- adjustable louvers and protective screen
- thermal protection with automatic reset

#### MOTOR

- permanently enclosed lubricated ball bearing motor for long-lasting operation

#### ELEMENT

- nichrome element produces instant heat

#### CONTROL

- connection of multiple units to the same thermostat is possible with a relay kit without transformer (optional) and an external transformer (not provided)

#### INSTALLATION

- wall or ceiling mounted with universal mounting bracket (included)
- minimum distance from adjacent walls: 6 in. (2 kW to 30 kW units), 12 in. (40 kW to 60 kW units)
- mounting heights: 2 to 8 ft. (2 kW to 10 kW units), 2 to 10 ft. (15 kW to 30 kW units), 15 to 20 ft. (40 kW to 60 kW units)

#### WARRANTY

- three years

#### IDEAL FOR:

warehouse, factory, indoor parking garage, large industrial and commercial spaces, crawl space

°**STELPRO**

Stelpro reserves the right to modify descriptions, manufacturing specifications or prices without prior notice. No returns accepted on optional-colour products. For all the latest models and prices, please refer to our website at [www.stelpro.com](http://www.stelpro.com).



# TECHNICAL SPECIFICATIONS

WITHOUT CONTROL		BUILT-IN THERMOSTAT		240 V CONTROL		24 V CONTROL		VOLTAGE	POWER	FLOW
CODE	PRICE	CODE	PRICE	CODE	PRICE	CODE	PRICE	VOLTS	KW	CFM
SHU0281CHAR	1 385,00	SHU0281TCHAR	1 484,00	SHU0281CCHAR	1 504,00	SHU0281C24CHAR	1 565,00	208	2	250
---	---	SHU0283CTCHAR*	1 603,00	SHU0283CCHAR*	1 504,00	SHU0283C24CHAR*	1 565,00	208	2	250
SHU0221CHAR	1 385,00	SHU0221TCHAR	1 484,00	SHU0221CCHAR	1 504,00	SHU0221C24CHAR	1 565,00	240/208	2/1.5	250
---	---	SHU0231CTCHAR	1 877,00	SHU0231CCHAR	1 778,00	SHU0231C24CHAR	1 837,00	347	2	250
---	---	SHU0261CTCHAR	1 877,00	SHU0261CCHAR	1 778,00	SHU0261C24CHAR	1 837,00	600	2	250
---	---	SHU0263CTCHAR*	1 877,00	SHU0263CCHAR*	1 778,00	SHU0263C24CHAR*	1 837,00	600	2	250
SHU0381CHAR	1 385,00	SHU0381TCHAR	1 484,00	SHU0381CCHAR	1 504,00	SHU0381C24CHAR	1 565,00	208	3	250
---	---	SHU0383CTCHAR*	1 603,00	SHU0383CCHAR*	1 504,00	SHU0383C24CHAR*	1 565,00	208	3	250
SHU0321CHAR	1 385,00	SHU0321TCHAR	1 484,00	SHU0321CCHAR	1 504,00	SHU0321C24CHAR	1 565,00	240/208	3/2.3	250
---	---	SHU0331CTCHAR	1 935,00	SHU0331CCHAR	1 834,00	SHU0331C24CHAR	1 894,00	347	3	250
---	---	SHU0361CTCHAR	1 935,00	SHU0361CCHAR	1 834,00	SHU0361C24CHAR	1 894,00	600	3	250
---	---	SHU0363CTCHAR*	1 935,00	SHU0363CCHAR*	1 834,00	SHU0363C24CHAR*	1 894,00	600	3	250
SHU0481CHAR	1 397,00	SHU0481TCHAR	1 497,00	SHU0481CCHAR	1 516,00	SHU0481C24CHAR	1 578,00	208	4	250
---	---	SHU0483CTCHAR*	1 617,00	SHU0483CCHAR*	1 516,00	SHU0483C24CHAR*	1 578,00	208	4	250
SHU0421CHAR	1 397,00	SHU0421TCHAR	1 497,00	SHU0421CCHAR	1 516,00	SHU0421C24CHAR	1 578,00	240/208	4/3	250
---	---	SHU0431CTCHAR	1 977,00	SHU0431CCHAR	1 877,00	SHU0431C24CHAR	1 939,00	347	4	250
---	---	SHU0461CTCHAR	1 977,00	SHU0461CCHAR	1 877,00	SHU0461C24CHAR	1 939,00	600	4	250
---	---	SHU0463CTCHAR*	1 977,00	SHU0463CCHAR*	1 877,00	SHU0463C24CHAR*	1 939,00	600	4	250
---	---	SHU0581TCHAR	1 723,00	SHU0581CCHAR	1 745,00	SHU0581C24CHAR	1 803,00	208	5	450
---	---	SHU0583CTCHAR*	1 844,00	SHU0583CCHAR*	1 745,00	SHU0583C24CHAR*	1 803,00	208	5	450
SHU0521CHAR	1 624,00	SHU0521TCHAR	1 723,00	SHU0521CCHAR	1 745,00	SHU0521C24CHAR	1 803,00	240/208	5/3.8	450
---	---	SHU0531CTCHAR	2 041,00	SHU0531CCHAR	1 941,00	SHU0531C24CHAR	2 000,00	347	5	450
---	---	SHU0561CTCHAR	2 041,00	SHU0561CCHAR	1 941,00	SHU0561C24CHAR	2 000,00	600	5	450
---	---	SHU0563CTCHAR*	2 041,00	SHU0563CCHAR*	1 941,00	SHU0563C24CHAR*	2 000,00	600	5	450
---	---	SHU0781CTCHAR	2 594,00	SHU0781CCHAR	2 495,00	SHU0781C24CHAR	2 555,00	208	7.5	700
---	---	SHU0783CTCHAR*	2 594,00	SHU0783CCHAR*	2 495,00	SHU0783C24CHAR*	2 555,00	208	7.5	700
---	---	SHU0721CTCHAR	2 594,00	SHU0721CCHAR	2 495,00	SHU0721C24CHAR	2 555,00	240/208	7.5/5.6	700
---	---	SHU0731CTCHAR	2 914,00	SHU0731CCHAR	2 814,00	SHU0731C24CHAR	2 873,00	347	7.5	700
---	---	SHU0761CTCHAR	2 914,00	SHU0761CCHAR	2 814,00	SHU0761C24CHAR	2 873,00	600	7.5	700
---	---	SHU0763CTCHAR*	2 914,00	SHU0763CCHAR*	2 814,00	SHU0763C24CHAR*	2 873,00	600	7.5	700
---	---	SHU1081CTCHAR	2 726,00	SHU1081CCHAR	2 625,00	SHU1081C24CHAR	2 685,00	208	10	700
---	---	SHU1083CTCHAR*	2 726,00	SHU1083CCHAR*	2 625,00	SHU1083C24CHAR*	2 685,00	208	10	700
---	---	SHU1021CTCHAR	2 726,00	SHU1021CCHAR	2 625,00	SHU1021C24CHAR	2 685,00	240/208	10/7.5	700
---	---	SHU1031CTCHAR	2 953,00	SHU1031CCHAR	2 849,00	SHU1031C24CHAR	2 910,00	347	10	700
---	---	SHU1061CTCHAR	2 953,00	SHU1061CCHAR	2 849,00	SHU1061C24CHAR	2 910,00	600	10	700
---	---	SHU1063CTCHAR*	2 953,00	SHU1063CCHAR*	2 849,00	SHU1063C24CHAR*	2 910,00	600	10	700
---	---	SHU1581CTCHAR	3 632,00	SHU1581CCHAR	3 534,00	SHU1581C24CHAR	3 653,00	208	15	1300
---	---	SHU1583CTCHAR*	3 632,00	SHU1583CCHAR*	3 534,00	SHU1583C24CHAR*	3 653,00	208	15	1300
---	---	SHU1521CTCHAR	3 632,00	SHU1521CCHAR	3 534,00	SHU1521C24CHAR	3 653,00	240/208	15/11.3	1300
---	---	SHU1531CTCHAR	3 632,00	SHU1531CCHAR	3 534,00	SHU1531C24CHAR	3 653,00	347	15	1300
---	---	SHU1561CTCHAR	3 632,00	SHU1561CCHAR	3 534,00	SHU1561C24CHAR	3 653,00	600	15	1300
---	---	SHU1563CTCHAR*	3 632,00	SHU1563CCHAR*	3 534,00	SHU1563C24CHAR*	3 653,00	600	15	1300
---	---	SHU2081CTCHAR	3 987,00	SHU2081CCHAR	3 885,00	SHU2081C24CHAR	4 004,00	208	20	1300
---	---	SHU2083CTCHAR*	3 987,00	SHU2083CCHAR*	3 885,00	SHU2083C24CHAR*	4 004,00	208	20	1300
---	---	SHU2021CTCHAR	3 987,00	SHU2021CCHAR	3 885,00	SHU2021C24CHAR	4 004,00	240/208	20/15	1300
---	---	SHU2031CTCHAR	3 987,00	SHU2031CCHAR	3 885,00	SHU2031C24CHAR	4 004,00	347	20	1300
---	---	SHU2063CTCHAR*	3 987,00	SHU2063CCHAR*	3 885,00	SHU2063C24CHAR*	4 004,00	600	20	1300
---	---	SHU2583CTCHAR*	4 593,00	SHU2583CCHAR*	4 491,00	SHU2583C24CHAR*	4 610,00	208	25	1300
---	---	SHU2563CTCHAR*	4 593,00	SHU2563CCHAR*	4 491,00	SHU2563C24CHAR*	4 610,00	600	25	1300
---	---	SHU3083CTCHAR*	4 677,00	SHU3083CCHAR*	4 573,00	SHU3083C24CHAR*	4 696,00	208	30	1400
---	---	SHU3063CTCHAR*	4 677,00	SHU3063CCHAR*	4 573,00	SHU3063C24CHAR*	4 696,00	600	30	1400
---	---	SHU4063CTCHAR*	6 132,00	SHU4063CCHAR*	6 031,00	SHU4063C24CHAR*	6 234,00	600	40	2100
---	---	SHU5063CTCHAR*	6 527,00	SHU5063CCHAR*	6 426,00	SHU5063C24CHAR*	6 627,00	600	50	2100
---	---	SHU6063CTCHAR*	7 168,00	SHU6063CCHAR*	7 069,00	SHU6063C24CHAR*	7 268,00	600	60	2100

\* Three-phase unit that can be field-converted to a single phase unit.

\* Three-phase unit

Models also available in 277 V and 480 V.

--- not available

# ACCESSORIES

PRODUCT	DESCRIPTION	PRICE
SHUT1	built-in single pole thermostat (capillary)	122.00
SHUT2	built-in double pole thermostat (capillary)	183.00
SHUFS*	fan switch	93.00
SHUDIS*	disconnect switch [80 A]	259.00
SHUC24RX*	relay kit without transfo. 24 V (208-240 V except SHU0521/SHU0581)	189.00
SHUC24RX-5*	relay kit without transfo. 24 V (277-600 V SHU0521/SHU0581 included)	189.00
SHUFS-RCV*	remote control circuit for ventilation mode 240 V	93.00

\* Factory installed

# THROW DISTANCE AND HEAT RISE

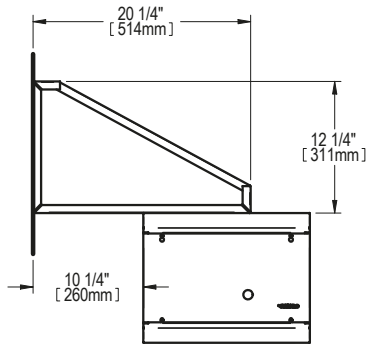
UNITS	THROW DISTANCE		HEAT RISE	
	M	FT	°C	°F
KW				
2	8.5	28	14	25
3	8.5	28	22	38
4	8.5	28	28	51
5	9.4	31	20	35
7.5	9.4	31	19	34
10	9.4	31	25	45
15	10.7	35	20	36
20	11.3	37	27	49
25	10.2	33'6"	34	61
30	10.7	35	38	68
40	10.7	35	33	60
50	10.7	35	42	75
60	10.7	35	50	90



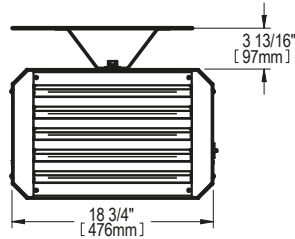
# TECHNICAL DRAWINGS

## 2 KW TO 10 KW UNITS

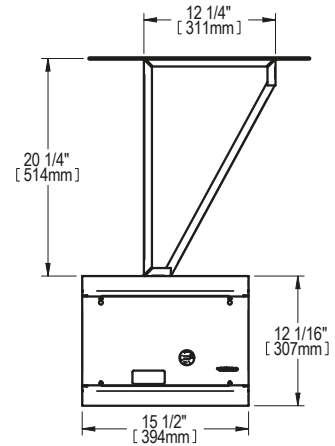
weight: approx. 40 lb (18 kg)



LEFT SIDE



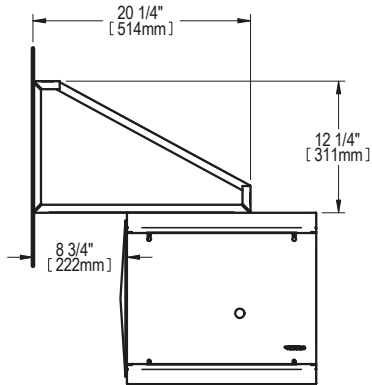
FRONT



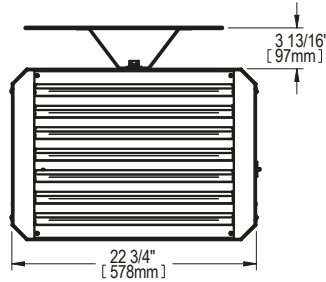
RIGHT SIDE

## 15 KW TO 30 KW UNITS

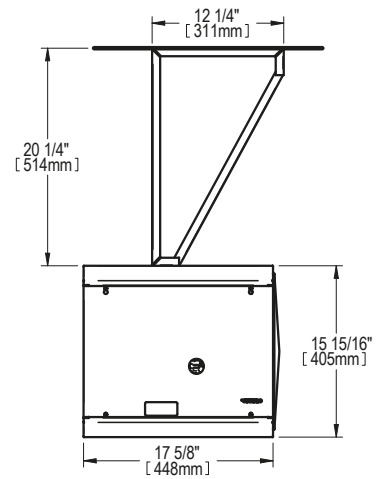
weight: approx. 67 lb (30 kg)



LEFT SIDE



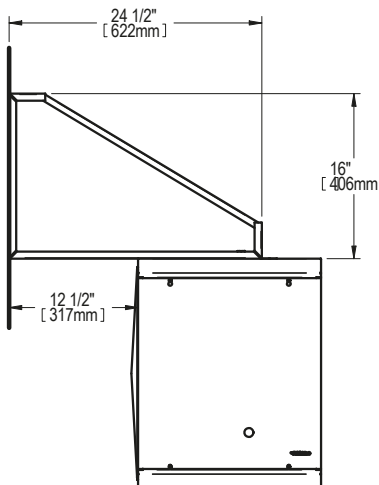
FRONT



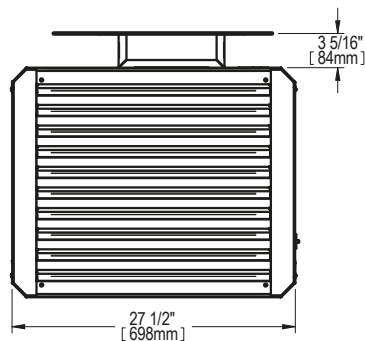
RIGHT SIDE

## 40 KW TO 60 KW UNITS

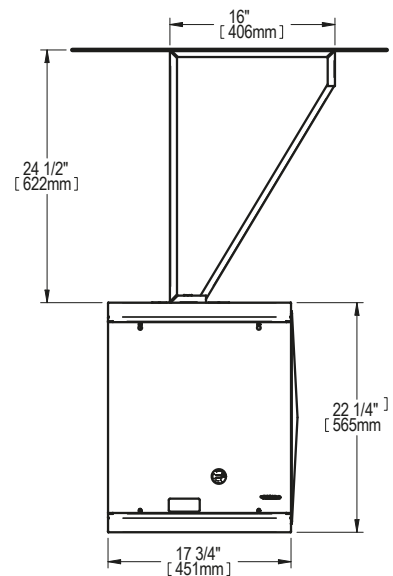
weight: approx. 100 lb (45 kg)



LEFT SIDE



FRONT



RIGHT SIDE