

# R841

## ELECTROMECHANICAL RELAY – LOW VOLTAGE



R841C1151



### CONTROL

- all or nothing (on/off)
- with a 24 V transformer (except the R841D1036 w/o a transformer)
- compatible with the T822K1018U and T87K1007U thermostats (the R841D1036 w/o a transformer is also compatible with the STE241 thermostat)
- installing more than four relays without a transformer to the same thermostat is not recommended (two relays without a transformer if connected to a STE241 thermostat)
- no additional relay can be connected to the same control circuit as a relay with a transformer

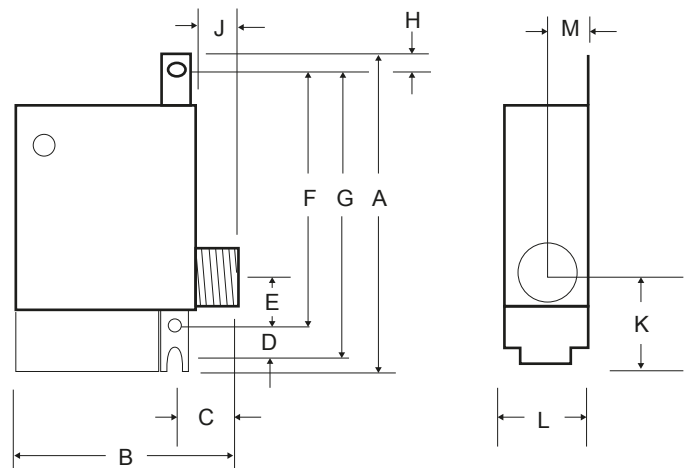
### INSTALLATION

- these relays can be installed in an external junction box
- these relays may or may not be installed in the junction box of the heating unit (see the accessories table for the heating unit)

### WARRANTY

- one year

## TECHNICAL DRAWINGS



## TECHNICAL SPECIFICATIONS

PRODUCT	DESCRIPTION
R841C1151	electromechanical relay c/w transformer 24 V [6000 W @ 600 V]
R841D1036	electromechanical relay w/o transformer 24 V [6000 W @ 600 V]

## DIMENSIONS

KEY	A	B	C	D	E	F	G	H	J	K	L	M
IN.	3 1/4	2 3/8	3/4	15/32	3/4	2 29/32	3 3/8	1/4	7/16	1 15/32	1 1/2	5/8