

CF

CEILING FAN HEATER



THE SPACE-SAVER

Stelpro has the perfect space-saving solution for heating small entryways, hallways and lobbies: the sturdy, reliable CF ceiling fan heater. Built to last, the CF pushes heat downward so that it mixes with the cold air below. It can be surface mounted or recessed into conventional ceilings or recessed in suspended ceilings. Whether installed in an entryway or hallway, the CF provides all the heat you need in an enclosed space.

- **GRILLE WITH ROUNDED SIDES**
DURABLE AND STYLISH
- **THE PERFECT SOLUTION FOR ENTRYWAYS AND HALLWAYS**
- **CEILING MOUNTED**
PREVENTS VANDALISM
- **MULTIPLE INSTALLATION OPTIONS**
CAN BE SURFACE MOUNTED OR RECESSED – OR RECESSED IN A SUSPENDED CEILING
- **OPTIONAL DISCONNECT SWITCH AVAILABLE**

COLOURS

- **standard:** white, soft white
- **Orora (optional):** refer to www.stelpro.com/en-CA/Orora

FINISH

- epoxy-polyester powdercoat

MANUFACTURING

- 20-gauge steel cabinet and 18-gauge steel grille
- fan: 1 x 160 CFM (single unit) – 2 x 160 CFM (double unit)
- closed and permanently lubricated motor
- thermal protection with automatic reset

ELEMENT

- nichrome element producing instant heat

CONTROL

- connection of multiple units to the same thermostat is possible with a relay kit without transformer (optional) and an external transformer (not provided)
- built-in thermostat (optional), 3 control knobs included (white, soft white and black) for standard installation, without knob for tamper-proof installation

INSTALLATION

- ceiling
- recessed or surface mounted with surface adapter (optional)
- T-Bar adapter (optional)

WARRANTY

- three years



ROUNDED SIDES

IDEAL FOR:

entryway, hallway, corridor, office building

°STELPRO

Stelpro reserves the right to modify descriptions, manufacturing specifications or prices without prior notice. No returns accepted on optional-colour products. For all the latest models and prices, please refer to our website at www.stelpro.com.



FC_CF_EN_200623

TECHNICAL SPECIFICATIONS

WITHOUT CONTROL		BUILT-IN THERMOSTAT		240 V CONTROL	24 V CONTROL		POWER	VOLTAGE	WEIGHT		MODEL
CODE	PRICE	CODE	PRICE	CODE	CODE	PRICE	WATTS	VOLTS	KG	LB	UNIT
CF1501	793.00	CF1501T	862.00	---	CF1501C24	1 008.00	1500	120	9	20	SINGLE
CF1508	793.00	CF1508T	862.00	CF1508C	CF1508C24	1 008.00	1500	208	9	20	SINGLE
CF1502	793.00	CF1502T	862.00	CF1502C	CF1502C24	1 008.00	1500/1125	240/208	9	20	SINGLE
CF1503	1 135.00	CF1503T	1 204.00	CF1503C	CF1503C24	1 350.00	1500	347	9	20	SINGLE
---	---	CF1506T	1 262.00	CF1506C	CF1506C24	1 409.00	1500	600	10	22	SINGLE
CF2008	793.00	CF2008T	862.00	CF2008C	CF2008C24	1 008.00	2000	208	9	20	SINGLE
CF2002	793.00	CF2002T	862.00	CF2002C	CF2002C24	1 008.00	2000/1500	240/208	9	20	SINGLE
CF2003	1 135.00	CF2003T	1 204.00	CF2003C	CF2003C24	1 350.00	2000	347	9	20	SINGLE
---	---	CF2006T	1 262.00	CF2006C	CF2006C24	1 409.00	2000	600	10	22	SINGLE
CF3008	814.00	CF3008T	881.00	CF3008C	CF3008C24	1 029.00	3000	208	9	20	SINGLE
CF3002	814.00	CF3002T	881.00	CF3002C	CF3002C24	1 029.00	3000/2250	240/208	9	20	SINGLE
CF3003	1 156.00	CF3003T	1 225.00	CF3003C	CF3003C24	1 368.00	3000	347	9	20	SINGLE
---	---	CF3006T	1 281.00	CF3006C	CF3006C24	1 427.00	3000	600	10	22	SINGLE
CF4008	872.00	CF4008T	940.00	CF4008C	CF4008C24	1 086.00	4000	208	9	20	SINGLE
CF4002	872.00	CF4002T	940.00	CF4002C	CF4002C24	1 086.00	4000/3000	240/208	9	20	SINGLE
CF4003	1 213.00	CF4003T	1 281.00	CF4003C	CF4003C24	1 427.00	4000	347	9	20	SINGLE
---	---	CF4006T	1 339.00	CF4006C	CF4006C24	1 487.00	4000	600	10	22	SINGLE
---	---	CF6008CT	2 171.00	CF6008C	CF6008C24	2 102.00	6000	208	18	40	DOUBLE
---	---	CF6002T	1 954.00	CF6002C	CF6002C24	2 102.00	6000/4500	240/208	18	40	DOUBLE
---	---	CF6003T	2 538.00	CF6003C	CF6003C24	2 684.00	6000	347	18	40	DOUBLE
---	---	CF6006T	2 538.00	CF6006C	CF6006C24	2 684.00	6000	600	20	44	DOUBLE
---	---	CF8008CT	2 305.00	CF8008C	CF8008C24	2 237.00	8000	208	18	40	DOUBLE
---	---	CF8002CT	2 305.00	CF8002C	CF8002C24	2 237.00	8000/6000	240/208	18	40	DOUBLE
---	---	CF8003CT	3 114.00	CF8003C	CF8003C24	3 048.00	8000	347	18	40	DOUBLE
---	---	CF8006CT	3 114.00	CF8006C	CF8006C24	3 048.00	8000	600	20	44	DOUBLE

Add W for white or SW for soft white (consult the optional colours chart or contact your Stelpro representative for all other colours).

Models also available in 277 V and 480 V.

--- not available

ACCESSORIES

PRODUCT	DESCRIPTION	PRICE
WFT1	built-in single pole thermostat [120 V-600 V] (standard or tamper-proof)	70.00
WFT2	built-in double pole thermostat [120 V-600 V] (standard or tamper-proof)	88.00
WFA1*	surface adapter (single unit)	93.00
WFA2*	surface adapter (double unit)	188.00
WFDIS-30*	disconnect switch kit 600 V/30 A, 2 poles	183.00
WFDIS-40*	disconnect switch kit 600 V/40 A, 2 poles/3 poles	216.00
WFDIS-60*	disconnect switch kit 600 V/60 A, 2 poles/3 poles	259.00
CFTBA1*	T-Bar adapter (single unit)	106.00
CFTBA2*	T-Bar adapter (double unit)	191.00
WFC24RX*	relay kit without transformer 24 V	188.00

* Add W for white or SW for soft white.

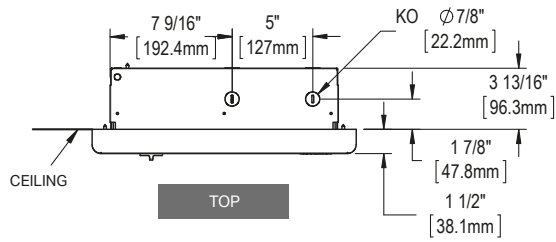
* Factory installation

THROW DISTANCE AND HEAT RISE

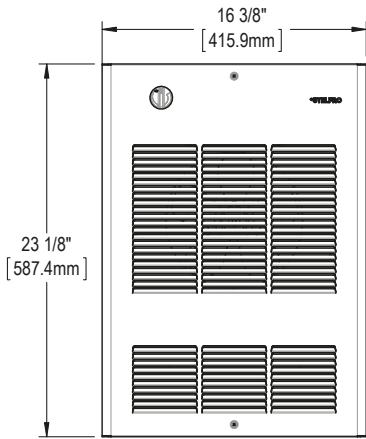
UNITS	THROW DISTANCE		HEAT RISE	
	M	FT	°C	°F
1.5	4.1	13'7"	17	30
2	4.1	13'7"	22	40
3	4.1	13'7"	33	59
4	4.1	13'7"	44	79
6	4.1	13'7"	33	59
8	4.1	13'7"	44	79
9	4.1	13'7"	33	59
12	4.1	13'7"	44	79

TECHNICAL DRAWINGS

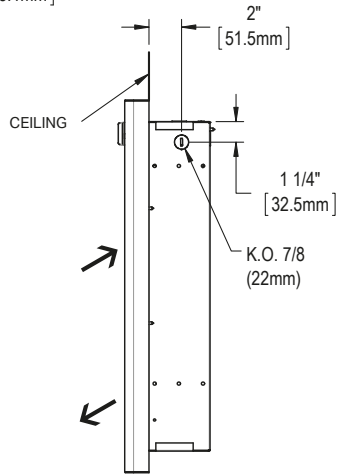
SINGLE UNIT



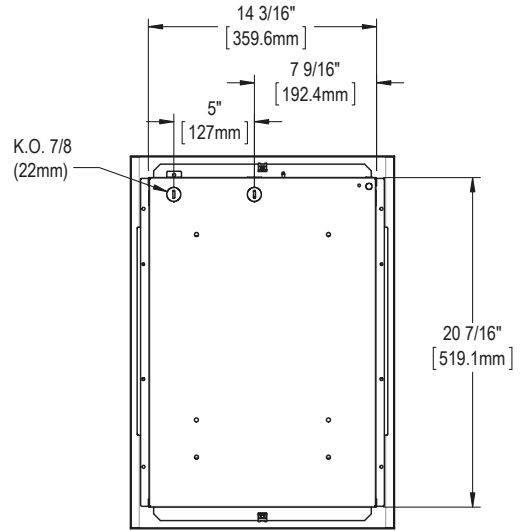
TOP



FRONT

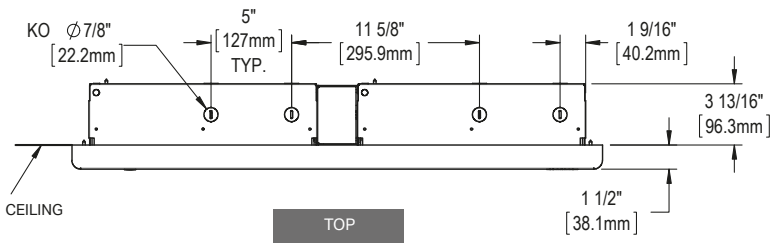


SIDE

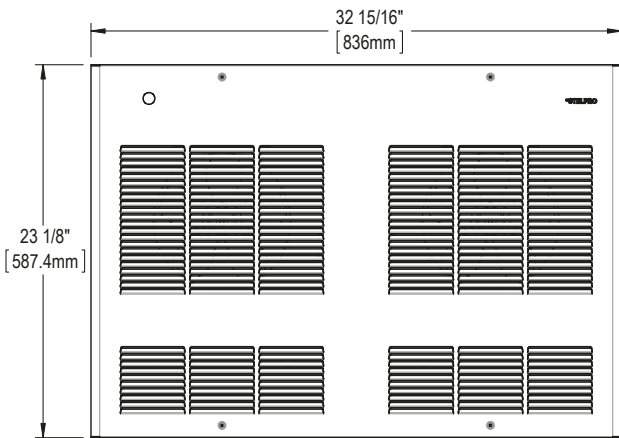


BACK

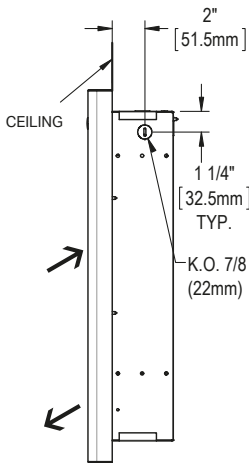
DOUBLE UNIT



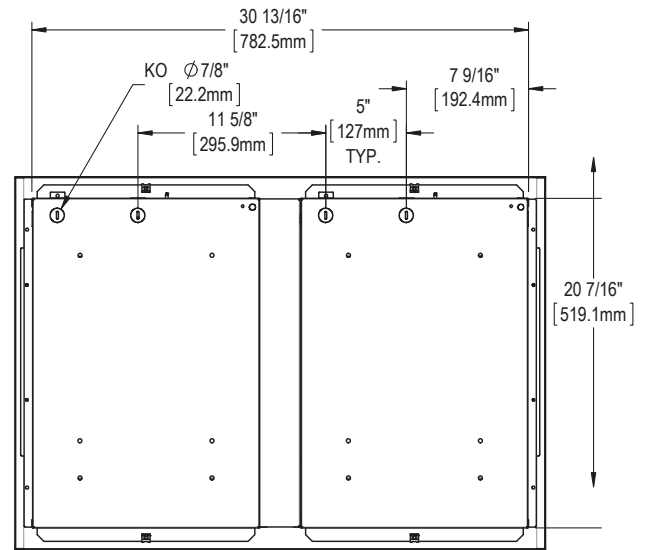
TOP



FRONT



SIDE



BACK



Stelpro reserves the right to modify descriptions, manufacturing specifications or prices without prior notice. No returns accepted on optional-colour products. For all the latest models and prices, please refer to our website at www.stelpro.com.