

WF

WALL FAN HEATER



VERSATILITY IS THE NAME OF THE GAME!

The WF is a high-capacity fan heater that's ideal for building lobbies, long corridors, stairwells, workshops, factories and warehouses. Its electrical element is made of high-quality nichrome that provides an immediate surge of hot air. The various modes of wall installation make the WF heater one of the most versatile fan heaters on the market: it can be surface mounted or recessed, with a variety of models and heating capacities to choose from.

- **GRILLE WITH ROUNDED SIDES**
DURABLE AND STYLISH
- **WIDE RANGE OF MODELS AND HEATING CAPACITIES**
INCLUDING A SINGLE 4800 W MODEL
- **NICHROME ELEMENT**
ASSURING INSTANT HEAT
- **OPTIONAL DISCONNECT SWITCH AVAILABLE**



ROUNDED SIDES

IDEAL FOR:

lobby, corridor, factory, warehouse, stairwell

COLOURS

- **standard:** white, soft white
- **Orora (optional):** refer to www.stelpro.com/en-CA/Orora

FINISH

- epoxy-polyester powdercoat

MANUFACTURING

- 20-gauge steel cabinet and 18-gauge steel grille
- top air intake with bottom air discharge
- quiet helicoidal fan: single unit 1 x 160 CFM – double unit 2 x 160 CFM – triple unit 3 x 160 CFM
- closed and permanently lubricated motor
- thermal protection with automatic reset

ELEMENT

- high-quality nichrome element producing instant heat

CONTROL

- connection of multiple units to the same thermostat is possible with a relay kit without transformer (optional) and an external transformer (not provided)
- built-in thermostat (optional), 3 control knobs included (white, soft white and black) for standard installation, without knob for tamper-proof installation

INSTALLATION

- wall mounted
- recessed or surface mounted with surface adapter (optional)

WARRANTY

- three years

STELPRO

Stelpro reserves the right to modify descriptions, manufacturing specifications or prices without prior notice. No returns accepted on optional-colour products. For all the latest models and prices, please refer to our website at www.stelpro.com.



TECHNICAL SPECIFICATIONS

WITHOUT CONTROL		BUILT-IN THERMOSTAT		240 V CONTROL	24 V CONTROL		POWER	VOLTAGE	WEIGHT		MODEL
CODE	PRICE	CODE	PRICE	CODE	CODE	PRICE	WATTS	VOLTS	KG	LB	UNIT
WF1501	739.00	WF1501T	807.00	---	WF1501C24	952.00	1500	120	9	20	SINGLE
WF1508	739.00	WF1508T	807.00	WF1508C	WF1508C24	952.00	1500	208	9	20	SINGLE
WF1502	739.00	WF1502T	807.00	WF1502C	WF1502C24	952.00	1500/1125	240/208	9	20	SINGLE
WF1503	1 078.00	WF1503T	1 145.00	WF1503C	WF1503C24	1 288.00	1500	347	9	20	SINGLE
---	---	WF1506T	1 202.00	WF1506C	WF1506C24	1 348.00	1500	600	10	22	SINGLE
WF2008	739.00	WF2008T	807.00	WF2008C	WF2008C24	952.00	2000	208	9	20	SINGLE
WF2002	739.00	WF2002T	807.00	WF2002C	WF2002C24	952.00	2000/1500	240/208	9	20	SINGLE
WF2003	1 078.00	WF2003T	1 145.00	WF2003C	WF2003C24	1 288.00	2000	347	9	20	SINGLE
---	---	WF2006T	1 202.00	WF2006C	WF2006C24	1 348.00	2000	600	10	22	SINGLE
WF3008	759.00	WF3008T	824.00	WF3008C	WF3008C24	972.00	3000	208	9	20	SINGLE
WF3002	759.00	WF3002T	824.00	WF3002C	WF3002C24	972.00	3000/2250	240/208	9	20	SINGLE
WF3003	1 096.00	WF3003T	1 167.00	WF3003C	WF3003C24	1 311.00	3000	347	9	20	SINGLE
---	---	WF3006T	1 224.00	WF3006C	WF3006C24	1 368.00	3000	600	10	22	SINGLE
WF4008	818.00	WF4008T	884.00	WF4008C	WF4008C24	1 029.00	4000	208	9	20	SINGLE
WF4002	818.00	WF4002T	884.00	WF4002C	WF4002C24	1 029.00	4000/3000	240/208	9	20	SINGLE
WF4003	1 154.00	WF4003T	1 224.00	WF4003C	WF4003C24	1 368.00	4000	347	9	20	SINGLE
---	---	WF4006T	1 282.00	WF4006C	WF4006C24	1 427.00	4000	600	10	22	SINGLE
WF4808	855.00	WF4808T	928.00	WF4808C	WF4808C24	1 081.00	4800	208	9	20	SINGLE
WF4802	855.00	WF4802T	928.00	WF4802C	WF4802C24	1 081.00	4800/3600	240/208	9	20	SINGLE
WF4803	1 213.00	WF4803T	1 283.00	WF4803C	WF4803C24	1 435.00	4800	347	9	20	SINGLE
---	---	WF4806T	1 344.00	WF4806C	WF4806C24	1 497.00	4800	600	10	22	SINGLE
---	---	WF6008CT	2 103.00	WF6008C	WF6008C24	2 036.00	6000	208	18	40	DOUBLE
---	---	WF6002T	1 890.00	WF6002C	WF6002C24	2 036.00	6000/4500	240/208	18	40	DOUBLE
---	---	WF6003T	2 470.00	WF6003C	WF6003C24	2 616.00	6000	347	18	40	DOUBLE
---	---	WF6006T	2 470.00	WF6006C	WF6006C24	2 616.00	6000	600	20	44	DOUBLE
---	---	WF60083CT*	2 103.00	WF60083C*	WF60083C24*	2 036.00	6000	208	36	80	TRIPLE
---	---	WF60063CT*	2 681.00	WF60063C*	WF60063C24*	2 616.00	6000	600	36	80	TRIPLE
---	---	WF8008CT	2 215.00	WF8008C	WF8008C24	2 149.00	8000	208	18	40	DOUBLE
---	---	WF8002CT	2 215.00	WF8002C	WF8002C24	2 149.00	8000/6000	240/208	18	40	DOUBLE
---	---	WF8003CT	3 010.00	WF8003C	WF8003C24	2 945.00	8000	347	18	40	DOUBLE
---	---	WF8006CT	3 010.00	WF8006C	WF8006C24	2 945.00	8000	600	20	44	DOUBLE
---	---	WF90083CT*	3 024.00	WF90083C*	WF90083C24*	2 954.00	9000	208	36	80	TRIPLE
---	---	WF90063CT*	3 952.00	WF90063C*	WF90063C24*	3 882.00	9000	600	36	80	TRIPLE
---	---	WF12008CT	3 341.00	WF12008C	WF12008C24	3 275.00	12 000	208	36	80	TRIPLE
---	---	WF12002CT	3 341.00	WF12002C	WF12002C24	3 275.00	12 000/9000	240/208	36	80	TRIPLE
---	---	WF12003CT	4 279.00	WF12003C	WF12003C24	4 213.00	12 000	347	36	80	TRIPLE
---	---	WF12006CT	4 279.00	WF12006C	WF12006C24	4 213.00	12 000	600	36	80	TRIPLE
---	---	WF120083CT*	3 341.00	WF120083C*	WF120083C24*	3 275.00	12 000	208	36	80	TRIPLE
---	---	WF120063CT*	4 279.00	WF120063C*	WF120063C24*	4 213.00	12 000	600	36	80	TRIPLE

Add W for white or SW for soft white (consult the optional colours chart or contact your Stelpro representative for all other colours).

* Three-phase unit

Models also available in 277 V and 480 V.

--- not available

ACCESSORIES

PRODUCT	DESCRIPTION	PRICE
WFT1	built-in single pole thermostat [120 V-600 V] (standard or tamper-proof)	70.00
WFT2	built-in double pole thermostat [120 V-600 V] (standard or tamper-proof)	88.00
WFSA1*	surface adapter (single unit)	93.00
WFSA2*	surface adapter (double unit)	188.00
WFSA3*	surface adapter (triple unit)	282.00
WFDIS-30*	disconnect switch kit 600 V/30 A, 2 poles	183.00
WFDIS-40*	disconnect switch kit 600 V/40 A, 2 poles/3 poles	216.00
WFDIS-60*	disconnect switch kit 600 V/60 A, 2 poles/3 poles	259.00
WFC24RX*	relay kit without transformer 24 V	188.00

* Add W for white or SW for soft white.

* Factory installation

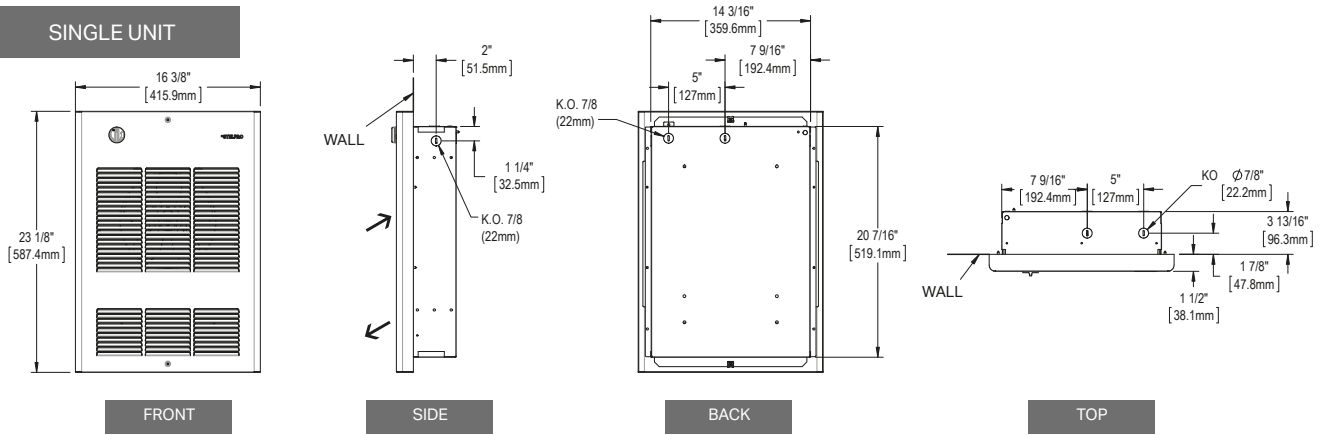


THROW DISTANCE AND HEAT RISE

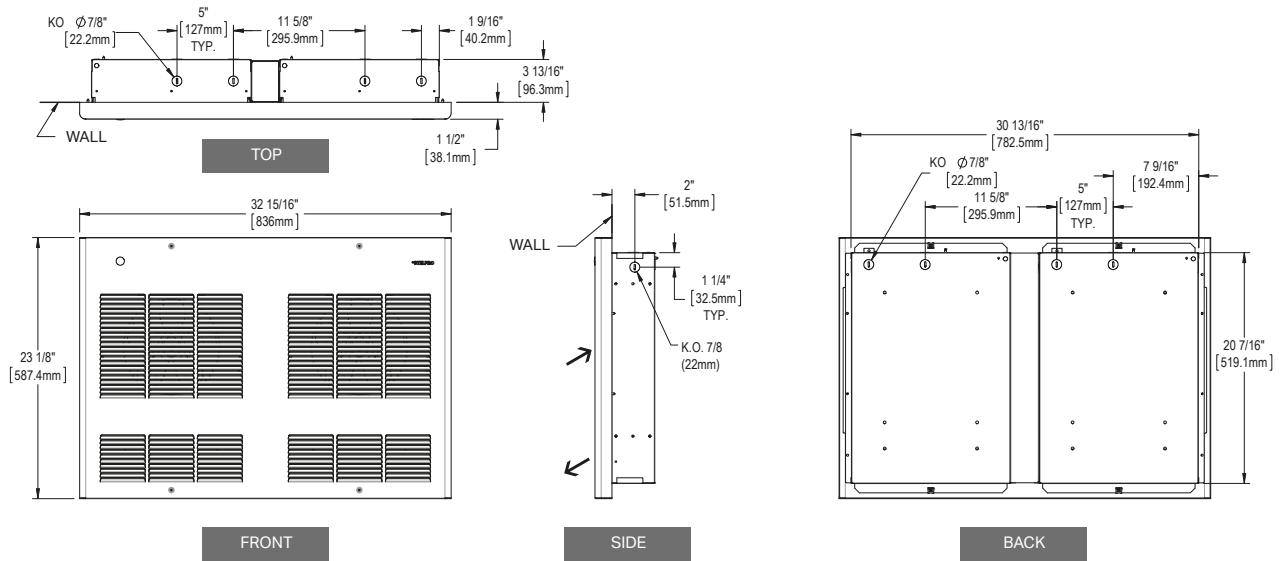
UNITS	THROW DISTANCE		HEAT RISE	
	M	FT	°C	°F
1.5	4.1	13'7"	17	30
2	4.1	13'7"	22	40
3	4.1	13'7"	33	59
4	4.1	13'7"	44	79
4.8	4.1	13'7"	53	95
6	4.1	13'7"	33	59
8	4.1	13'7"	44	79
9	4.1	13'7"	33	59
12	4.1	13'7"	44	79

TECHNICAL DRAWINGS

SINGLE UNIT



DOUBLE UNIT



TRIPLE UNIT

