

Siemens
EcoTech



Enclosure for command devices, 22 mm, round, Enclosure material plastic, Enclosure top part yellow, 1 control point plastic, Recess for label, without equipment



product brand name	SIRIUS ACT
product designation	Enclosures
product type designation	3SU1
Enclosure	
design of the housing	with recess for label
shape of the enclosure front	Square
material of the enclosure	plastic
number of command points	1
product component protective collar	No
color of the enclosure top part	yellow
fastening method of the enclosure	Vertical / horizontal
General technical data	
protection class IP	IP66, IP67, IP69(IP69K)
degree of protection NEMA rating	1, 2, 3, 3R, 4, 4X, 12, 13
shock resistance for railway applications according to EN 61373	Category 1, Class B
vibration resistance for railway applications according to EN 61373	Category 1, Class B
Substance Prohibition (Date)	10/01/2014
cable entry type	Metric cable glands 1 x M20 each on the top, bottom and rear, 1 x M16 on the side
Connections/ Terminals	
type of electrical connection on enclosure	Cable routing 1 x M20 each on the top, bottom and rear, 1 x M16 on the side
tightening torque of fixing screws in the enclosure cover	1.5 ... 1.7 N·m
Ambient conditions	
ambient temperature	
• during operation	-25 ... +70 °C
• during storage	-40 ... +80 °C
environmental category during operation according to IEC 60721	3M6, 3S2, 3B2, 3C3, 3K6 (with relative air humidity of 10 ... 95%, no condensation in operation permitted for all devices behind front panel)
Environmental footprint	
Environmental Product Declaration (EPD)	Yes
Global Warming Potential [CO2 eq] total	0.787 kg
Global Warming Potential [CO2 eq] during manufacturing	0.566 kg
Global Warming Potential [CO2 eq] during operation	0.235 kg
Global Warming Potential [CO2 eq] after end of life	-0.015 kg
Installation/ mounting/ dimensions	
fastening method of modules and accessories	Floor mounting
height	85 mm

width	85 mm
depth	64 mm
mounting diameter	22.3 mm
positive tolerance of installation diameter	0.4 mm

Approvals Certificates

General Product Approval



[Confirmation](#)



General Product Approval

Test Certificates

Marine / Shipping



[Special Test Certificate](#)

[Type Test Certificates/Test Report](#)



Marine / Shipping

other

Environment



[Confirmation](#)



Siemens EcoTech



[Environmental Confirmations](#)

Further information

Information on the packaging

<https://support.industry.siemens.com/cs/ww/en/view/109813875>

Information- and Downloadcenter (Catalogs, Brochures,...)

<https://www.siemens.com/ic10>

Industry Mall (Online ordering system)

<https://mall.industry.siemens.com/mall/en/en/Catalog/product?mlfb=3SU1801-0AA00-0AB2>

Cax online generator

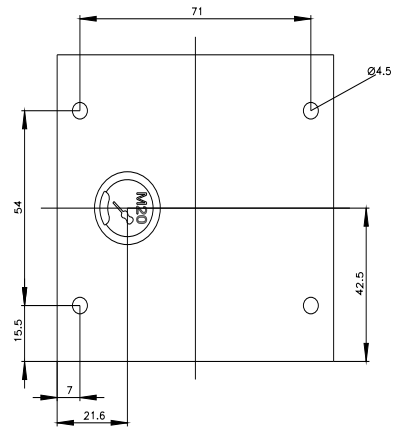
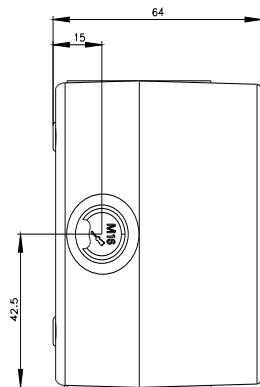
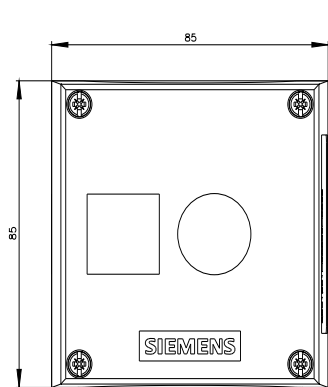
<http://support.automation.siemens.com/WW/CAXorder/default.aspx?lang=en&mlfb=3SU1801-0AA00-0AB2>

Service&Support (Manuals, Certificates, Characteristics, FAQs,...)

<https://support.industry.siemens.com/cs/ww/en/ps/3SU1801-0AA00-0AB2>

Image database (product images, 2D dimension drawings, 3D models, device circuit diagrams, EPLAN macros, ...)

http://www.automation.siemens.com/bilddb/cax_de.aspx?mlfb=3SU1801-0AA00-0AB2&lang=en



last modified:

2/29/2024 