

## Series Spec Sheet

# PRMPN-2HO

## PLASTIC COMBO RUNNING MAN STANDALONE

### LED 120-347 VAC Input

The PRMPN-2HO commercial plastic combination running man sign is designed using durable and lightweight high impact thermoplastic. Combination sign with a canopy quick snap for a decorative look or a flush mount for rigid installation.

### FEATURES AND SPECIFICATIONS

#### • Circuitry

- LED ultra bright light source
- 120-347 VAC Input
- 120-347 V/0.32 A/4.5 W max power consumption
- Dry or damp location
- Ambient temperature 10°C to 35°C
- 120 minutes emergency power duration standard
- Two 1.5 W LED heads
- Push button test switch
- Diagnostic/pilot LED for AC ON
- Fully automatic, current limited charger
- Solid state design and construction with brownout and short circuit protection
- Temperature compensated
- Maintenance free, Ni-Cad battery

#### • Mechanical

- High impact, UV stabilized, thermoplastic construction
- Quick snap faceplates and universal canopy for rapid and simple installation
- Universal faces
- Universal mounting
- White colour is standard
- Fully adjustable, high impact thermoplastic round LED heads are standard

#### • Compliances

- CSA Certified to C22.2 #141-15, C860
- Meets requirements of ICES-005



quick  
ship



ICES  
005



Energy Verified  
Énergie Vérifiée

For complete warranty details, please see our terms and conditions on our website.

## TYPICAL SPECIFICATION



## TYPICAL SPECIFICATION

Supply and install Stanpro's PRMPN-2HO High impact thermoplastic Running Man and Battery combination unit. The sign shall operate from 120 to 347 V AC Input. The sign shall be suitable for wall, end, or ceiling mount and come complete with 3 Running Man fibers for universal direction. The frame and back plate shall be high impact, UV stabilized, thermoplastic construction and offer quick snap faceplates tapered or flat and universal canopy for rapid and simple installation. The battery shall be 120 to 347 V AC, suitable for dry or damp locations, suitable for an ambient temperature 10°C to 35°C, provide a minimum of 120 minutes emergency power duration and consist of two 1.5 W LED heads. The battery shall have a push button test switch, diagnostic/pilot LED for AC ON, fully automatic, current limited charger, solid state design construction with brownout and short circuit protection. The unit shall be temperature compensated, maintenance free, Ni-Cad battery. The unit shall be CSA C22.2 C141-15 certified and ICES compliant.

The Stanpro Sign and Battery combination unit shall be PRMPN-2HO \_\_\_\_\_

Data is based upon tests performed in a controlled environment. Actual performance can vary depending on operating conditions. All products are subject to change or may be discontinued any time without notice.

**QUICK SHIP AND TECHNICAL SPECIFICATION TABLE**

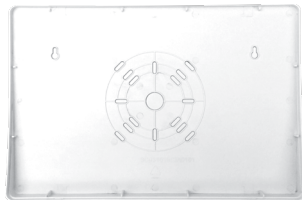
Part number	DC Volts (VDC)	Watts (W)	Nbr of faces	Nbr of heads	Head	Lamp (W)	Light source	Input Volts (VAC)	Color
PRMPN-2HO	N/A	N/A	Universal	2	N/A	1.5	DEL	120-347	White

**ACCESSORIES (order separately)**

Part number	Type
FIBER-RMPN-CG	Running man fiber no arrow

**ACCESSORIES**

Flush wall mount backplate. Use for direct wall mount (no canopy required)  
Spider knock-out for wall-mount



Universal canopy



**SPACING GUIDE**

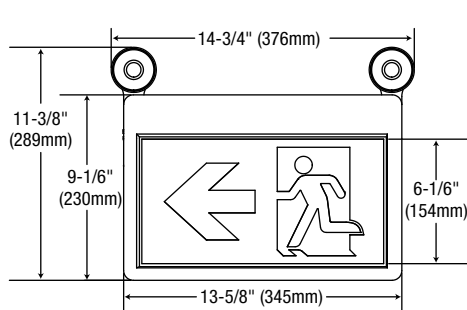
Mounting height	Spacing center to center (ft)
8 ft	33
10 ft	33
15 ft	28
20 ft	22

**LUMEN TABLE**

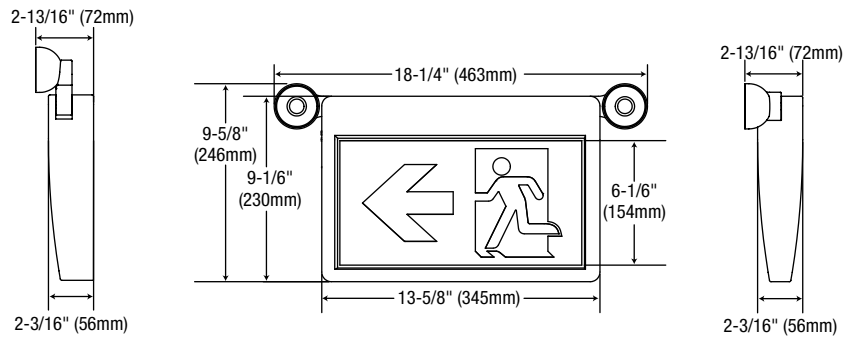
Description	Watt	Lumen	Lumen per watt
PRMPN-2HO	3	260	86.6

**DIMENSIONS**

**HEADS UP**



**HEADS DOWN**



**CONFIGURATIONS**



Comes standard with three pictogram legends for direction selection.



For double face no arrow options, please order the RMPN along with the following fiber: FIBER-PN-NP

Data is based upon tests performed in a controlled environment. Actual performance can vary depending on operating conditions. All products are subject to change or may be discontinued any time without notice.