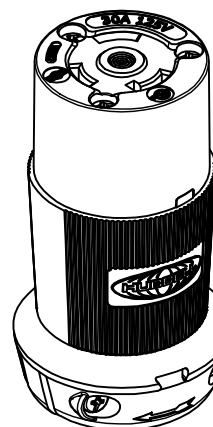
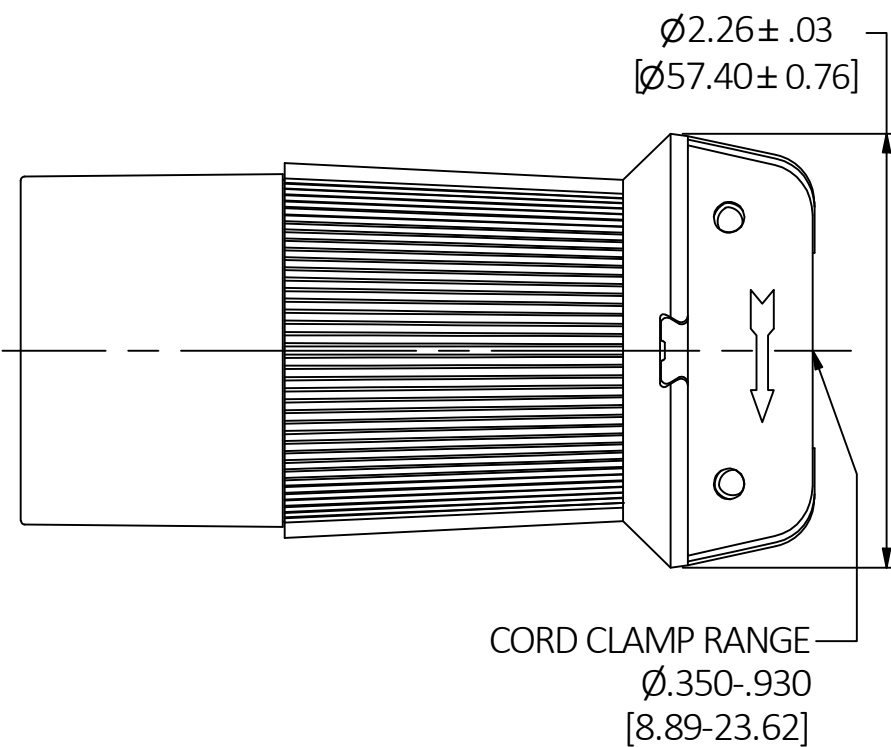
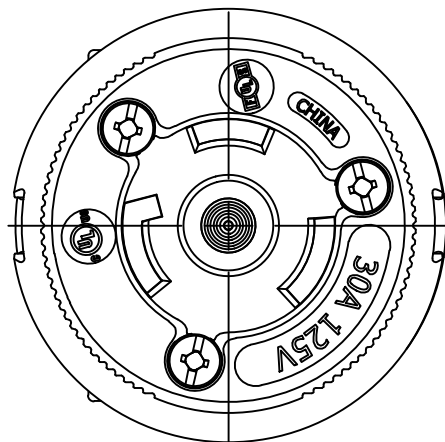
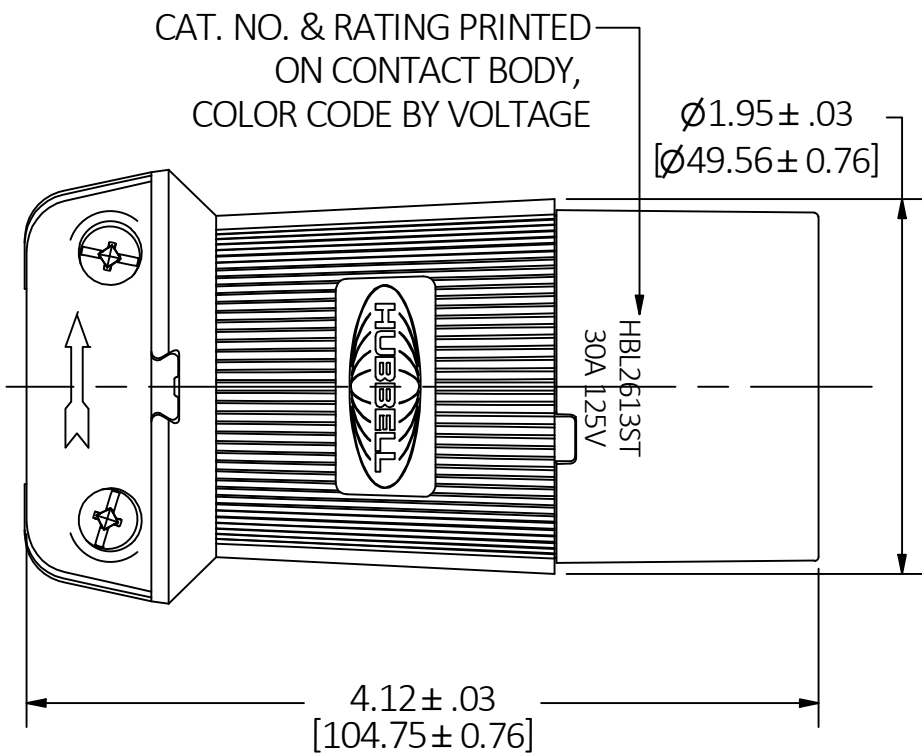


M-14327

1



CAT. NO. HBL2613ST  
(NOT SHOWN TO SCALE)

1	INITIAL RELEASE PER DCN 220304017679 AM	RGP	2/22/22
REV	DESCRIPTION	APP	DATE

THE DESIGN AND DIMENSIONS OF THE PRODUCT SHOWN ON THIS DRAWING ARE SUBJECT TO CHANGE WITHOUT NOTICE. DIMENSIONS ARE IN INCHES [mm].

TITLE  
3-WIRE SCREWLESS TERMINATION CONNECTOR



WIRING DEVICE-KELLEMS  
HUBBELL INCORPORATED  
SHELTON, CT

TOLERANCES UNLESS OTHERWISE SPECIFIED .XX = ± .01 .XXX = ± .005 ANGLE TOL. ±2'	DR. BY AM	SCALE 1:1
	CHK. BY RGP	DATE 2/22/22

NEMA NO.	RATING	POLE/WIRE	CAT. NO.	CONTACTS CONFIGURATION	VOLTAGE COLOR CODE
L5-30R	125V	2P/3W GROUNDING	HBL2613ST		YELLOW
L6-30R	250V	2P/3W GROUNDING	HBL2623ST		BLUE

**NOTES (UNLESS OTHERWISE SPECIFIED):**

- DIMENSIONS ARE IN INCHES [mm].
- ALL DEVICES ARE cULus LISTED & FED SPEC.
- CORD TYPES: S & SJ, ROUND CORD ONLY
- WIRE TERMINAL ACCOMODATION: 14AWG - 8AWG STRANDED COPPER WIRE ONLY
- CONDUCTOR STRIP LENGTH: 3/4" (19mm).
- ASSEMBLY SCREWS ARE PHILLIPS/SLOTTED/ROBERTSON HEAD.
- CATALOG NUMBERS & RATING ARE PAD PRINTED ON THE SIDE OF THE DEVICE, COLOR CODED BY VOLTAGE.