

Siemens
EcoTech



EMERGENCY STOP mushroom pushbutton, 22 mm, round, metal, shiny, red, 40 mm, positive latching, acc. to EN ISO 13850, pull-to-unlatch mechanism



| | |
|----------------------------------------------------|-------------------------------------|
| product brand name | SIRIUS ACT |
| product designation | EMERGENCY STOP mushroom pushbuttons |
| design of the product | Actuating/signaling element |
| product type designation | 3SU1 |
| product line | Metal, shiny, 22 mm |
| Enclosure | |
| number of command points | 1 |
| Actuator | |
| design of the actuating element | positive latching |
| principle of operation of the actuating element | latching |
| product extension optional | |
| • light source | No |
| • contact module | Yes |
| color | |
| • of the actuating element | red |
| material of the actuating element | plastic |
| shape of the actuating element | round |
| outer diameter of the actuating element | 40 mm |
| type of unlocking device | pull-to-unlatch mechanism |
| number of switching positions | 2 |
| Front ring | |
| product component front ring | No |
| General technical data | |
| product function | |
| • positive opening | Yes |
| • EMERGENCY OFF function | Yes |
| • EMERGENCY STOP function | Yes |
| protection class IP | IP66, IP67, IP69(IP69K) |
| degree of protection NEMA rating | 1, 2, 3, 3R, 4, 4X, 12, 13 |
| shock resistance | |
| • according to IEC 60068-2-27 | sinusoidal half-wave 15g / 11 ms |
| vibration resistance | |
| • according to IEC 60068-2-6 | 10 ... 500 Hz: 5g |
| operating frequency maximum | 600 1/h |
| mechanical service life (operating cycles) typical | 300 000 |
| reference code according to IEC 81346-2 | S |
| Substance Prohibitance (Date) | 10/01/2014 |

| Safety related data | |
|---------------------------------------------------------------------------------------------------------------------------------------------------|--------------|
| proportion of dangerous failures | |
| <ul style="list-style-type: none"> with low demand rate according to SN 31920 with high demand rate according to SN 31920 | 20 % 20 % |
| B10 value with high demand rate according to SN 31920 | 100 000 |
| failure rate [FIT] with low demand rate according to SN 31920 | 100 FIT |

| Ambient conditions | |
|--------------------------------------------------------------------------------------------|--------------------------------------------------------------------|
| ambient temperature | |
| <ul style="list-style-type: none"> during operation during storage | -25 ... +70 °C -40 ... +80 °C |
| environmental category during operation according to IEC 60721 | 3M6, 3S2, 3B2, 3C3, 3K6 (with relative air humidity of 10 ... 95%) |

| Environmental footprint | |
|--------------------------------------------------------|-----------------|
| Environmental Product Declaration (EPD) | Yes |
| Global Warming Potential [CO2 eq] total | 0.593 kg |
| Global Warming Potential [CO2 eq] during manufacturing | 0.625 kg |
| Global Warming Potential [CO2 eq] during operation | 0.235 kg |
| Global Warming Potential [CO2 eq] after end of life | -0.267 kg |
| Siemens Eco Profile (SEP) | Siemens EcoTech |

| Installation/ mounting/ dimensions | |
|----------------------------------------------------|---------|
| shape of the installation opening | round |
| mounting diameter | 22.3 mm |
| positive tolerance of installation diameter | 0.4 mm |
| mounting height | 45.3 mm |
| installation width | 40 mm |
| installation depth | 26.3 mm |

Approvals Certificates

General Product Approval



[Confirmation](#)



| General Product Approval | Test Certificates | Marine / Shipping |
|--------------------------|-------------------|-------------------|
|--------------------------|-------------------|-------------------|



[Type Test Certificates/Test Report](#)

[Special Test Certificate](#)



| Marine / Shipping | other | Environment |
|-------------------|-------|-------------|
|-------------------|-------|-------------|



[Confirmation](#)



Siemens EcoTech



[Environmental Confirmations](#)

Further information

Information on the packaging

<https://support.industry.siemens.com/cs/ww/en/view/109813875>

Information- and Downloadcenter (Catalogs, Brochures,...)

<https://www.siemens.com/ic10>

Industry Mall (Online ordering system)

<https://mall.industry.siemens.com/mall/en/en/Catalog/product?mlfb=3SU1050-1HA20-0AA0>

Cax online generator

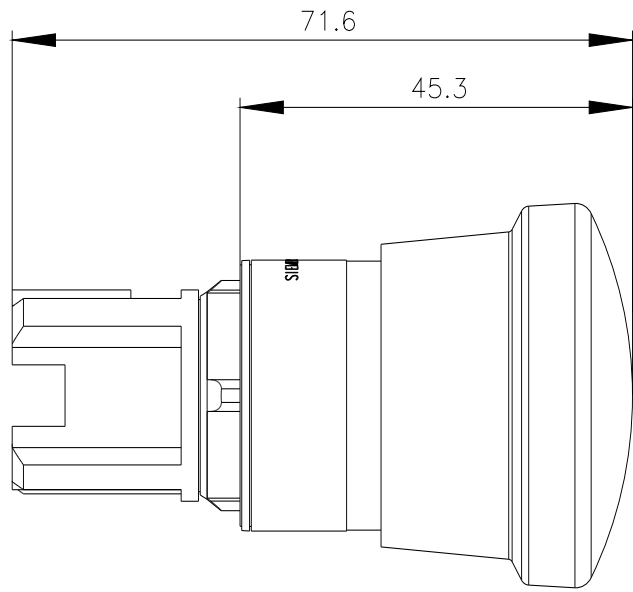
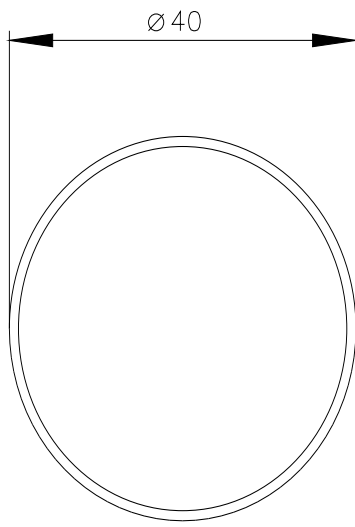
<http://support.automation.siemens.com/WW/CAXorder/default.aspx?lang=en&mlfb=3SU1050-1HA20-0AA0>

Service&Support (Manuals, Certificates, Characteristics, FAQs,...)

<https://support.industry.siemens.com/cs/ww/en/ps/3SU1050-1HA20-0AA0>

Image database (product images, 2D dimension drawings, 3D models, device circuit diagrams, EPLAN macros, ...)

http://www.automation.siemens.com/bilddb/cax_de.aspx?mlfb=3SU1050-1HA20-0AA0&lang=en



last modified:

2/7/2024 