



standard actuator for all safety switches RFID 3SE63 rectangular 91 mm x 25 mm without magnet latching

product brand name	SIRIUS
product designation	RFID safety switch
design of the product	RFID actuators
product type designation	3SE63

**General technical data**

product feature	Without magnetic latching
protection class IP	IP65, IP67, IP69k
Substance Prohibitance (Date)	07/01/2006
height of the sensor	22 mm
length of the sensor	91 mm
width of the sensor	25 mm
material of the active sensor area	plastic

**Ambient conditions**

ambient temperature during operation	-25 ... +70 °C
--------------------------------------	----------------

**Enclosure**

material of the enclosure	plastic
material of cable sheath	PVC

**Installation/ mounting/ dimensions**

fastening method	screw fixing
transmission frequency rated value	125 kHz

**Approvals Certificates**

General Product Approval	EMV
--------------------------	-----



[Confirmation](#)



Functional Safety	other
-------------------	-------



[Confirmation](#)

**Further information**

Information on the packaging  
<https://support.industry.siemens.com/cs/ww/en/view/109813875>  
 Information- and Downloadcenter (Catalogs, Brochures,...)  
<https://www.siemens.com/ic10>  
 Industry Mall (Online ordering system)

<https://mall.industry.siemens.com/mall/en/en/Catalog/product?mlfb=3SE6310-0BC01>

Cax online generator

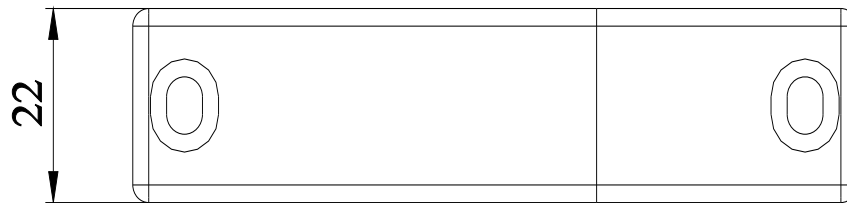
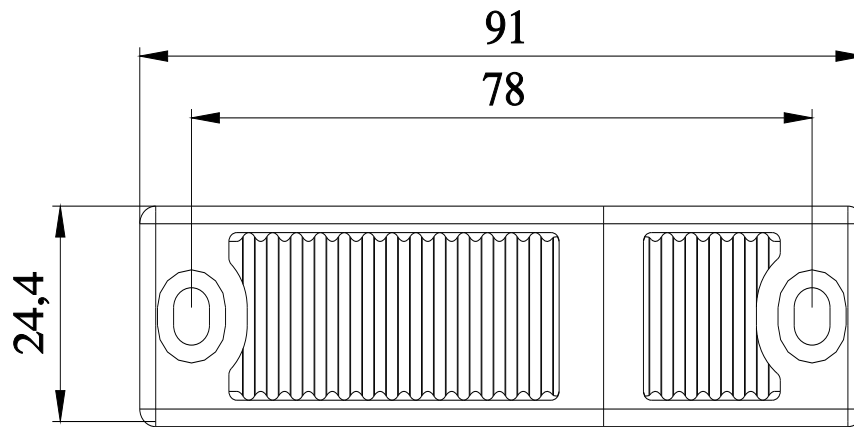
<http://support.automation.siemens.com/WW/CAXorder/default.aspx?lang=en&mlfb=3SE6310-0BC01>

Service&Support (Manuals, Certificates, Characteristics, FAQs,...)

<https://support.industry.siemens.com/cs/ww/en/ps/3SE6310-0BC01>

Image database (product images, 2D dimension drawings, 3D models, device circuit diagrams, EPLAN macros, ...)

[http://www.automation.siemens.com/bilddb/cax\\_de.aspx?mlfb=3SE6310-0BC01&lang=en](http://www.automation.siemens.com/bilddb/cax_de.aspx?mlfb=3SE6310-0BC01&lang=en)



last modified:

12/18/2020 