

Auxiliary switch transverse 2 NO, screw terminal for circuit breaker 3RV2



|                                                                    |                               |
|--------------------------------------------------------------------|-------------------------------|
| product brand name                                                 | SIRIUS                        |
| product category                                                   | Auxiliary switch              |
| product designation                                                | auxiliary switch              |
| design of the product                                              | transverse auxiliary switches |
| <b>General technical data</b>                                      |                               |
| size of the circuit-breaker                                        | S00, S0, S2, S3               |
| display version LED                                                | No                            |
| insulation voltage rated value                                     | 300 V                         |
| degree of pollution                                                | 3                             |
| surge voltage resistance rated value                               | 4 kV                          |
| protection class IP on the front                                   | IP20                          |
| reference code according to IEC 81346-2                            | Q                             |
| Substance Prohibitance (Date)                                      | 10/01/2009                    |
| number of NC contacts for auxiliary contacts instantaneous contact | 0                             |
| number of NO contacts for auxiliary contacts instantaneous contact | 2                             |
| number of CO contacts of auxiliary contacts instantaneous contact  | 0                             |
| <b>operational current of auxiliary contacts at AC-12</b>          |                               |
| • at 24 V                                                          | 2.5 A                         |
| • at 230 V                                                         | 2.5 A                         |
| <b>operational current of auxiliary contacts at AC-12 maximum</b>  | 2.5 A                         |
| <b>operational current of auxiliary contacts at AC-15</b>          |                               |
| • at 24 V                                                          | 2 A                           |
| • at 230 V                                                         | 0.5 A                         |
| <b>operational current of auxiliary contacts at DC-13</b>          |                               |
| • at 24 V                                                          | 1 A                           |
| • at 48 V                                                          | 0.3 A                         |
| • at 60 V                                                          | 0.15 A                        |
| <b>Ambient conditions</b>                                          |                               |
| <b>ambient temperature</b>                                         |                               |
| • during operation                                                 | -20 ... +60 °C                |
| • during storage                                                   | -50 ... +80 °C                |
| <b>Environmental footprint</b>                                     |                               |
| Environmental Product Declaration (EPD)                            | Yes                           |
| Global Warming Potential [CO2 eq] total                            | 4.44 kg                       |
| Global Warming Potential [CO2 eq] during manufacturing             | 0.238 kg                      |
| Global Warming Potential [CO2 eq] during operation                 | 4.2 kg                        |
| Global Warming Potential [CO2 eq] after end of life                | 0.0053 kg                     |
| Electrical Safety                                                  |                               |

|                                                                                |                                                                       |
|--------------------------------------------------------------------------------|-----------------------------------------------------------------------|
| protection class IP on the front according to IEC 60529                        | IP20                                                                  |
| touch protection on the front according to IEC 60529                           | finger-safe, for vertical contact from the front                      |
| <b>Installation/ mounting/ dimensions</b>                                      |                                                                       |
| fastening method                                                               | plug-in fixing                                                        |
| height                                                                         | 12 mm                                                                 |
| width                                                                          | 45 mm                                                                 |
| depth                                                                          | 17 mm                                                                 |
| <b>Connections/ Terminals</b>                                                  |                                                                       |
| type of electrical connection for auxiliary and control circuit                | screw-type terminals                                                  |
| <b>connectable conductor cross-section for auxiliary contacts</b>              |                                                                       |
| • solid or stranded                                                            | 0.5 ... 2.5 mm <sup>2</sup>                                           |
| • finely stranded with core end processing                                     | 0.5 ... 2.5 mm <sup>2</sup>                                           |
| <b>type of connectable conductor cross-sections</b>                            |                                                                       |
| • for auxiliary contacts                                                       |                                                                       |
| — solid                                                                        | 2x (0.5 ... 1.5 mm <sup>2</sup> ), 2x (0.75 ... 2.5 mm <sup>2</sup> ) |
| — finely stranded with core end processing                                     | 2x (0.5 ... 1.5 mm <sup>2</sup> ), 2x (0.75 ... 2.5 mm <sup>2</sup> ) |
| • for AWG cables for auxiliary contacts                                        | 2x (20 ... 14)                                                        |
| AWG number as coded connectable conductor cross section for auxiliary contacts | 20 ... 14                                                             |

**Approvals Certificates**

**General Product Approval**



**General Product Approval | Test Certificates | Marine / Shipping**



**Marine / Shipping | other**

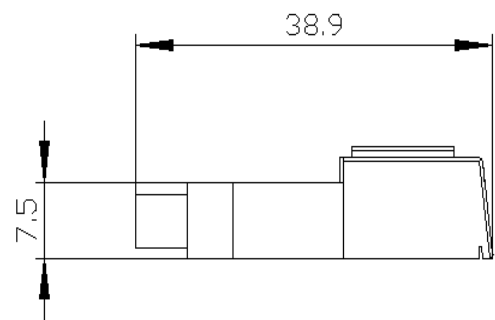
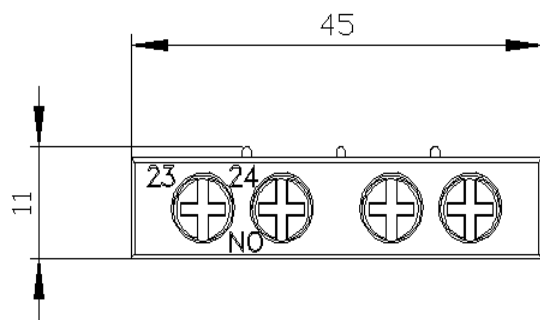


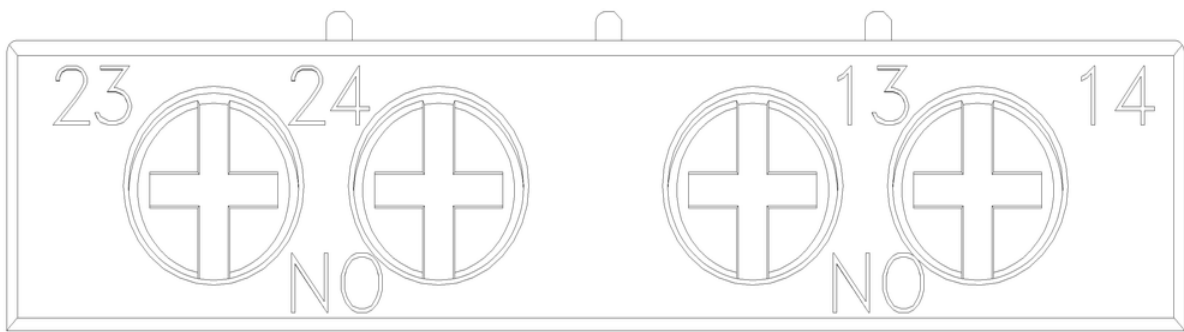
**Railway | Environment**

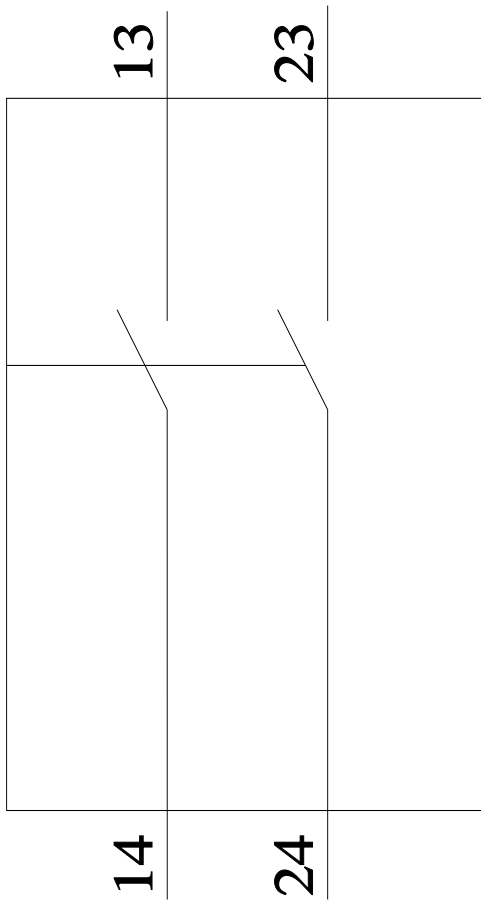


**Further information**

Information on the packaging  
<https://support.industry.siemens.com/cs/ww/en/view/109813875>  
 Information- and Downloadcenter (Catalogs, Brochures,...)  
<https://www.siemens.com/ic10>  
 Industry Mall (Online ordering system)  
<https://mall.industry.siemens.com/mall/en/en/Catalog/product?mlfb=3RV2901-1F>  
 Cax online generator  
<http://support.automation.siemens.com/WW/CAXorder/default.aspx?lang=en&mlfb=3RV2901-1F>  
 Service&Support (Manuals, Certificates, Characteristics, FAQs,...)  
<https://support.industry.siemens.com/cs/ww/en/ps/3RV2901-1F>  
 Image database (product images, 2D dimension drawings, 3D models, device circuit diagrams, EPLAN macros, ...)  
[http://www.automation.siemens.com/bilddb/cax\\_de.aspx?mlfb=3RV2901-1F&lang=en](http://www.automation.siemens.com/bilddb/cax_de.aspx?mlfb=3RV2901-1F&lang=en)







---

last modified:

1/10/2024 