



Surge suppressor (RC element) for 3RT1 S6, S10, S12 with screw terminal (drive)
48...127 V AC, 70...150 V DC

product brand name	SIRIUS
product category	Surge suppressor
product designation	RC element
Substance Prohibitance (Date)	07/01/2006
type of voltage of the control supply voltage	AC/DC
control supply voltage 1 at AC	
• at 50 Hz	48 ... 127 V
• at 60 Hz	48 ... 127 V
control supply voltage frequency	
• 1 rated value	50 Hz
• 2 rated value	60 Hz
control supply voltage 1 at DC	
•	70 ... 150 V
design of the surge suppressor	RC element

Ambient conditions

ambient temperature	
• during operation	-25 ... +60 °C
• during storage	-40 ... +80 °C

Environmental footprint

Environmental Product Declaration (EPD)	Yes
Global Warming Potential [CO2 eq] total	23.4 kg
Global Warming Potential [CO2 eq] during manufacturing	0.187 kg
Global Warming Potential [CO2 eq] during operation	23.2 kg
Global Warming Potential [CO2 eq] after end of life	0.014 kg

Approvals Certificates

General Product Approval



[Confirmation](#)



Test Certificates **Marine / Shipping** **other**

[Special Test Certificate](#)



[Confirmation](#)

other **Railway** **Environment**

**Further information****Information on the packaging**

<https://support.industry.siemens.com/cs/ww/en/view/109813875>

Information- and Downloadcenter (Catalogs, Brochures,...)

<https://www.siemens.com/ic10>

Industry Mall (Online ordering system)

<https://mall.industry.siemens.com/mall/en/en/Catalog/product?mlfb=3RT1956-1CC00>

Cax online generator

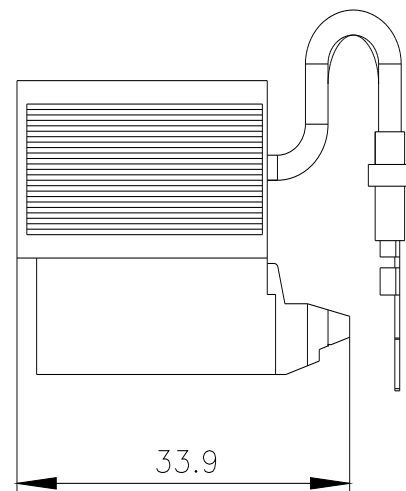
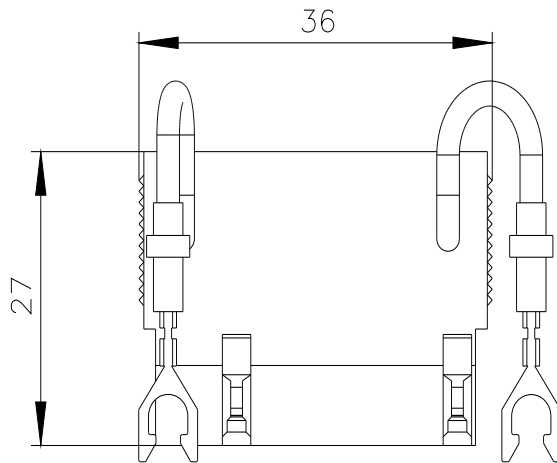
<http://support.automation.siemens.com/WW/CAXorder/default.aspx?lang=en&mlfb=3RT1956-1CC00>

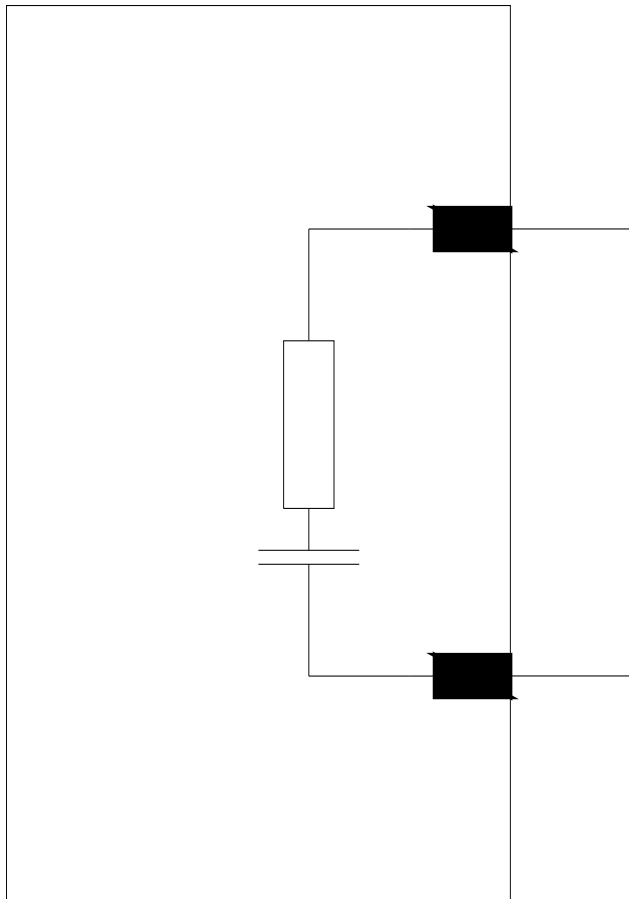
Service&Support (Manuals, Certificates, Characteristics, FAQs,...)

<https://support.industry.siemens.com/cs/ww/en/ps/3RT1956-1CC00>

Image database (product images, 2D dimension drawings, 3D models, device circuit diagrams, EPLAN macros, ...)

http://www.automation.siemens.com/bilddb/cax_de.aspx?mlfb=3RT1956-1CC00&lang=en





last modified:

1/10/2024 