

Project	
Date	
Prepared By	
Model #	

5CCT 4" LED BAFFLE RECESSED LIGHT

DR40RB-WH / DR40RB-BK / DR40RB-SN

KEY HIGHLIGHTS

- Slim profile: Can be mounted under joists or dock work
- 5CCTs: Switch between 2700K, 3000K, 3500K, 4000K and 5000K
- Dimmable: 10%-100% dimming capability
- Easy installation: Included two spring loaded clips to attach to any ceiling material
- Available in 3 colors: White / black / brushed nickel
- Operates between -4°F - 104°F / -20°C and 40°
- Long lasting: Over 50,000 hrs project life time
- Suitable for damp locations, insulated ceiling applications, wet locations

SPECIFICATIONS

Lumen Output (lm)	Up to 830
Beam Angle (°)	38°
CCT (K)	2700K, 3000K, 3500K, 4000K, 5000K in one
Projected Lifetime (L70)	>50,000 hrs
CRI (Ra)	95
Efficacy (lm/W)	Up to 68.3LM/W
Power	12W
Input Voltage	100-125V AC, 60HZ
Tilting Angle	20°
Housing Material	Durable Airtight Aluminum
Installation	Clip to Attach
Operation Range (°F/°C)	-20°C to +40°C / -4°F to +104°F

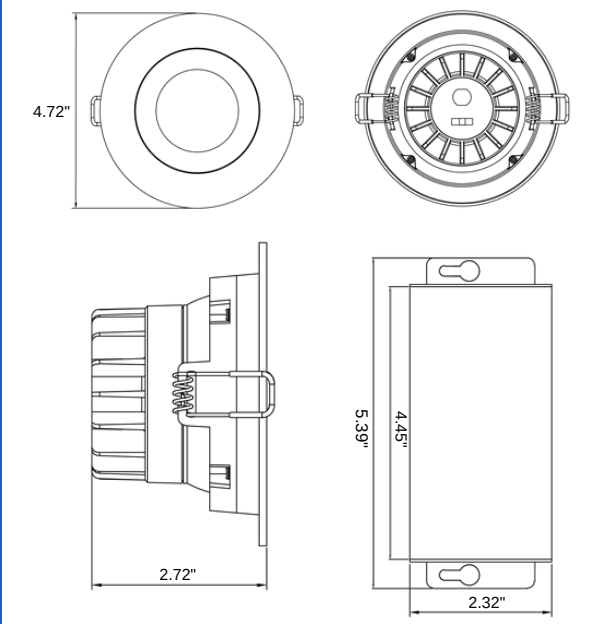
CERTIFICATIONS

Energy Star	Yes
Damp Location / IC	YES / YES
UL/ETL Listed	cETLus
Warranty	5 Years

DESCRIPTION

DR40RB, a 12 watt 4 inch 5CCT baffle style LED round recessed light is a high-performance, easy to install downlight. It offers excellent light output, energy efficiency and streamlined design. Suitable for damp location and use in soffits.

DIMENSIONS



*Compatible with industry TRIAC/ELV dimmers
(contact factory for listing of compatible dimmers)

