

# G-INSEC-M32-M68N-NCRS-S - Cable gland



1411191

<https://www.phoenixcontact.com/in/products/1411191>

Please be informed that the data shown in this PDF document is generated from our online catalog. Please find the complete data in the user documentation. Our general terms of use for downloads are valid.



Cable gland, material for screw connection: Brass, nickel-plated, external cable diameter 14 mm ... 21 mm, shielding: yes, connecting thread: M32 x 1.5, color: silver, with O-ring

## Commercial data

Item number	1411191
Packing unit	5 pc
Minimum order quantity	5 pc
Sales key	BF7
Product key	BF7DBX
Catalog page	Page 690 (C-2-2019)
GTIN	4046356923224
Weight per piece (including packing)	100.36 g
Weight per piece (excluding packing)	101.08 g
Customs tariff number	74198090
Country of origin	DE

## Technical data

### Mounting

Assembly instructions	<p><b>Method 1</b> Cut the outer sheath, but do not remove it. Feed the cable through the screw connection and then remove the outer sheath. Now pull the cable back until the connection is established between the cable shield and the contact spring.</p> <p><b>Method 2</b> Push the braided shield back around 15 ... 20 mm over the outer sheath. Insert the cables into the screw connection until the connection is established between the cable shield and the contact spring.</p>
-----------------------	---

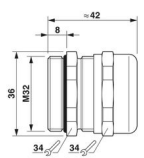
### Product properties

Product type	Full screw connection
No. of conductors	1
Manufacturer	Jacob
Manufacturer Designation	50.632 M/EMVD
Shielded	yes
Execution of the strain relief	A

### Characteristics

Category of shock impact	6
Design, Strain relief	A

### Dimensions

Dimensional drawing	
Length	38 mm
Length of the connecting thread	8 mm
Hole diameter	32.1 mm ... 32.3 mm
Wrench size, union nut	34 mm
Wrench size, support	34 mm
Hexagon angular dimension	36 mm
Thread type connection side	M32 x 1.5
Thread pitch	1.5 mm

### Connection data

Tightening torque	10 Nm (Union nut: EN 62444)
	10 Nm (Support: EN 62444)

# G-INSEC-M32-M68N-NCRS-S - Cable gland



1411191

<https://www.phoenixcontact.com/in/products/1411191>

## Material specifications

Color	Brass
Material	PA 6
Seal material O-ring	Perbunan
Seal material Cable seal	CR/NBR
Material for screw connection	Brass, nickel-plated

## Cable/line

External cable diameter (Cable 1)	14 mm ... 21 mm
Halogen-free	no

## Environmental and real-life conditions

### Ambient conditions

Degree of protection	IP68 (5 bar, 30 minutes)
Ambient temperature (operation)	-40 °C ... 100 °C (static)

Phoenix Contact 2024 © - all rights reserved

<https://www.phoenixcontact.com>

PHOENIX CONTACT (I) Pvt. Ltd.

A-58/2, Okhla Industrial Area, Phase - II, New Delhi-110 020

+91.1275.71420

[info@phoenixcontact.co.in](mailto:info@phoenixcontact.co.in)