

# Distribution

## TRANSFORMER MOUNTING



### Transformer Cluster Mount

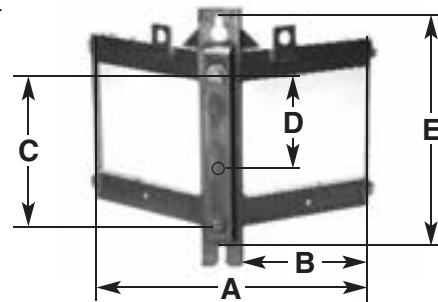
For mounting 3 transformers with the following maximum weights:  
 40TCM up to 3 x 650 lbs.  
 65TCM up to 3 x 1300 lbs.  
 100TCM up to 3 x 2250 lbs.  
 Bolts for mounting transformers included. Lifting eye provided.

Cat.No.	Dimensions					Std.Pkg.	Wt.-lbs./each
	A	B	C	D	E		
40TCM	29-7/8	11-3/8	15	-	23-1/2	1	40
65TCM	34-1/4	12-7/8	22	15	27-5/8	1	65
100TCM	34-3/8	12-1/8	29	22	37-1/2	1	100
* 654TCM	34-1/4	12-7/8	22	15	27-5/8	1	65
652TCM	34-1/4	12-7/8	22	15	30-1/2	1	67

Holes are provided for grounding clamps, insulator pins and stabilizing braces.  
 Stabilizing brackets available upon request.  
 \*with stabilizer bracket



Stabilizer Bracket

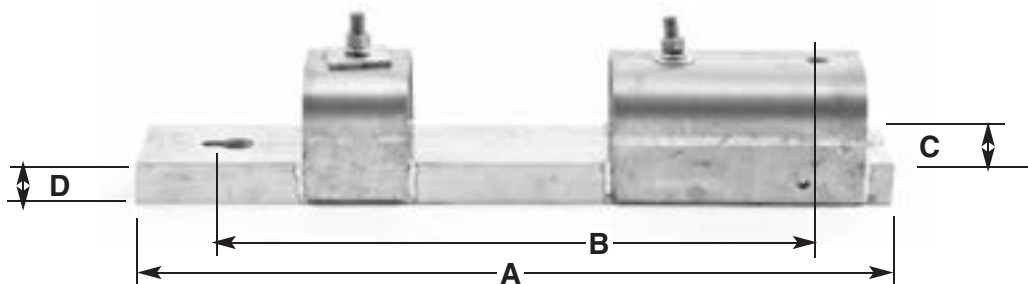


65TCM

### Aluminum Transformer Mounting Bracket

Single transformer mounting bracket. For transformer up to 1300 lbs.  
 C/W 3/4" x 3" Galvanized Bolts, Flatwasher, Lockwasher, and Nut  
 Top mounting hole supplied with two 1-4" x 3" square washers.

Cat.No.	Dimensions				Std.Pkg.	Wt.-lbs./each
	A	B	C	D		
AH370TM	36	30	6	2	1	40
AH349TM	35	29-11/16	6	2	1	65





# Guards

## STRAIGHT & FLARED

### U-Cable Guards

For the protection of rising cable at the lower end of poles. Made from Hot dip galvanized 14 gauge Steel or 1100 grade aluminum to C.S.A. drawing No. G-3, specification C-83.

Made in 2 styles: Straight (UC & UCA) and flared (UCG & UFA). Flared design will fit over underground duct without the need of an adapter. Throat clips (ATC) to round off sharp edges at the top of cable guards are also available.

Cat. No. (steel)	Cat. No. (Aluminum)	L	W	Std.Pkg.	Wt.-lbs./ C (Steel)	Wt.-lbs./ C (Aluminum)
<b>Straight Cable Guards (UC &amp; UCA):</b>						
534UC	534UCA	5'	3/4"	5	330	110
834UC	834UCA	8'	3/4"	5	530	176
5114UC	5114UCA	5'	1-1/4"	5	440	146
8114UC	8114UCA	8'	1-1/4"	5	760	273
5214UC	5214UCA	5'	2-1/4"	5	900	300
8214UC	8214UCA	8'	2-1/4"	5	1300	433
5314UC	5314UCA	5'	3-1/4"	5	1100	366
8314UC	8314UCA	8'	3-1/4"	5	2000	666
5334UC	5334UCA	5'	3-3/4"	3	1500	500
8334UC	8334UCA	8'	3-3/4"	3	2160	720
8414UC	8414UCA	8'	4-1/4"	3	2800	933
55UC	55UCA	5'	5"	3	2250	694
85UC	85UCA	8'	5"	3	3400	914
8514UC	8514UCA	8'	5-1/4"	3	3425	931
86UC	86UCA	8'	6"	3	3400	994
<b>Flared Cable Guards (UCF &amp; UFA):</b>						
5114UCF	5114UFA	5'	1-1/4"	5	460	153
8114UCF	8114UFA	8'	1-1/4"	5	840	280
5214UCF	5214UFA	5'	2-1/4"	5	930	310
8214UCF	8214UFA	8'	2-1/4"	5	1300	443
5314UCF	5314UFA	5'	3-1/4"	5	1540	513
8314UCF	8314UFA	8'	3-1/4"	3	1850	620
8334UCF	8334UFA	8'	3-3/4"	3	2450	816
8414UCF	8414UFA	8'	4-1/4"	3	3010	1029
55UCF	55UCFA	5'	5"	3	2025	812
85UCF	85UFA	8'	5"	3	3200	1100
8514UCF	8514UCFA	8'	5-1/4"	3	3475	1152
86UCF	86UFA	8'	6"	3	3610	1221
11UF	-	29.5"	11.417'	1	3010	N/A

Other sizes available upon request.  
Custom flares available upon request.



8214UCF



8214UC



8214UFA



11UF