

# TEEPLUG<sup>®</sup> Compact Waterproof (NEMA 6P -IP68) Plug-and-Socket Connectors

ITC introduces a new line of very compact, high ingress protection (IP 68) plug-and socket connectors, designed for several applications in the fields of control and automation, signal and power distribution, lighting, etc..

These patented products are manufactured in Italy by TECHNO, using high quality materials and advanced multi-component injection molding processes, which provide high level of protection, reduce the risk of losing or misplacing gaskets, and result in more compact components.

## Features:

- Very compact size
- Intended for indoor/outdoor use to provide protection against the entry of water during prolonged submersions at limited depth (NEMA 6P)
- Quick installation, easy maintenance
- Over-molded gaskets/seals cannot be lost or misplaced









## Specifications:

- Type of connection (insert): screw connection
  - Insulation strip length: 8mm (THB.387... - 6mm)
- Cable type: UL Listed type TC or TC-ER
- Wire cross section: 0.5 - 4.0mm<sup>2</sup> (12 AWG) stranded and solid  
THB.387.B5A.L, THB.387.A5A.L & THB.387.P5A - 0.25 mm<sup>2</sup> - 1.5 mm<sup>2</sup>
- Operating Temperature: -40 to 125 °C
- Panel mount thread: M20 or M25, locknut included
- Housing colour: black
- Housing: Halogen-free, silicon-free (384/405/406), sulphur free
- Resistant to salt-spray test 5%, 35 °C, 1 hour
- Material - housing: PA66, UL94 V0/V2
- Material - inserts and locknuts: PA66 GF, UL94 V0
- Approvals: cULus E355693

|             | Ingress Protection                            | Cable Diameter | Dismantling Length | # Poles   | Current                                     | Voltage |
|-------------|---|----------------|--------------------|-----------|---|---------|
| THB.384/385 | 384 - IP66/68 (50m,24h)<br>385 - IP68 (5m,3h) | 7.0 - 12mm     | 20mm               | 3 M/F     | 20A   | 400V    |
| THB.387     | IP66/IP68 (30m, 3h)                           | 7.0 - 13.5mm   | 25mm               | 4 & 5 M/F | 15A<br>10A (THB.387.A5A.L<br>& THB.387.B5A) | 400V    |
| THB.405/506 | IP68 (10m, 1h)                                | 7.0-14.0mm     | 30mm               | 3 & 5 M/F | 20A   | 400V    |

# TEEPLUG® TH 405/406 large plug and socket connectors

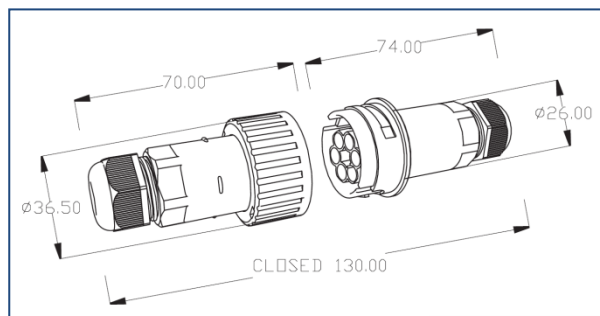
## THB.405 / THB.406 Plug-and-socket Connectors (Order by Part No.)

| Part No.     | Gender # of Poles | Mounting Type | IP             | Maximum Current | Maximum Voltage | Pack |   |
|--------------|-------------------|---------------|----------------|-----------------|-----------------|------|---|
| THB.405.A2A* | Male 5 poles      | Cable         | IP68 (10m, 1h) | 20A             | 400V            | 10   |    |
| THB.405.A2B* | Male 3 poles      | Cable         | IP68 (10m, 1h) | 20A             | 400V            | 10   |    |
| THB.405.B2A* | Female 5 poles    | Cable         | IP68 (10m, 1h) | 20A             | 400V            | 10   |    |
| THB.405.B2B* | Female 3 poles    | Cable         | IP68 (10m, 1h) | 20A             | 400V            | 10   |    |
| THB.406.A1A  | Male 5 poles      | Panel         | IP68 (10m, 1h) | 20A             | 400V            | 10   |   |
| THB.406.A1B  | Male 3 poles      | Panel         | IP68 (10m, 1h) | 20A             | 400V            | 10   |  |

\* Upon request receive a free assembly key with minimum order of 10 of one part of 405 series  
 Use of an assembly key is highly recommended - see accessories and spare parts  
 Retail packaging available, contact ITC  
 Information subject to change without notice

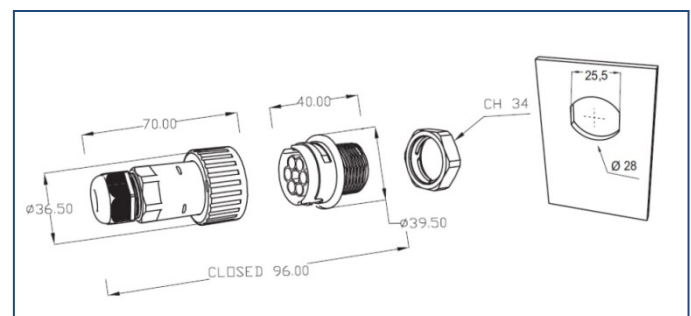


### Inline cable to cable installation



All measurements in mm

### Panel-mount installation



All measurements in mm