



SL2-LED20

LED Strip Light



SPECIFICATIONS*

Watts	21
Lumens	2551
Efficacy	120.5
Replaces Up To	2 Lamp T8 17W
Colour Temp**	Variable - 3K, 4K, 5K
Certification	cULus, IP20, DLC
Operating Temp	-30°C to +40°C
Voltage	120-277*, 347V
LED Life	50,000 hours
Housing Material	Steel
Lens Material	Polycarbonate
Lens Type	Frosted
Mounting	Surface mount, suspended mounting using linear ceiling pendant mount kit.
Total Harmonic Distortion	3.96
Power Factor	0.99

*Standard

**Colour temperature is variable and can be adjusted on the fixture with a switch. The default switch setting is set to 4K on the fixture. Light output varies according to the colour temperature selected as seen in the spec table on page 2.



DESCRIPTION

The SL2-LED20 strip light provides a highly efficient lumen output of approx. 2500 lumens ideal for replacing 2 Lamp T8 17W fixtures. The frosted linear lens provides uniform light distribution ideal for use in shops, coves and general area lighting.

APPLICATIONS



Shops



Cove Lighting



General Area Lighting

FEATURES

- Fixture can be set at a colour temperature of 3000K, 4000K or 5000K while installing through a switch inside the housing
- Narrow, linear design with frosted lens for uniform light distribution
- Join up to 35 fixtures on a single circuit using easy connector steel plates.
- Options: dimming high frequency sensor, wire cage, reflector wings, linear ceiling pendant mount kit

*The above specs apply to the standard product configuration. For spec information on other product configurations please see page 2.

OTHER MODEL SPECIFICATIONS

DESCRIPTION	VOLTAGE (V)	INPUT POWER (W)	LIGHT OUTPUT	EFFICACY (Lm/W)	THD	PF	CCT	CRI
SL2-LED20-B-VK-DIM	120-277	21.82	2332.2	106.88	3.44	0.9937	3133	82.8
	120-277	21.17	2551	120.5	3.96	0.9916	3956	85.8
	120-277	21.51	2331	108.37	3.6	0.9932	5073	85.7
SL2-LED20-C-VK-DIM	347	20.95	2258	107.77	14.61	0.917	3000	80
	347	20.95	2470	117.90	14.61	0.917	4000	80
	347	20.95	2258	107.77	14.61	0.917	5000	80

LEGEND

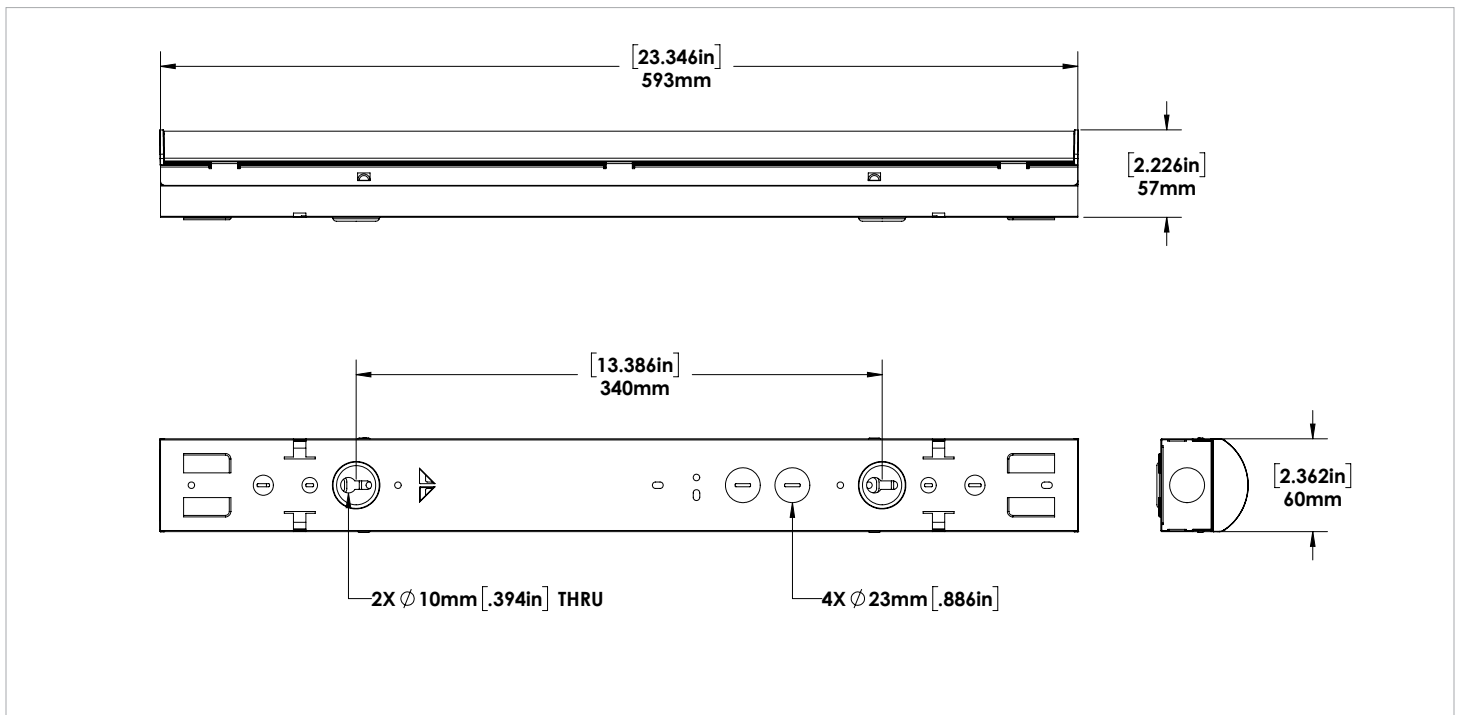
B - 120V-277V, C - 347V

VK - Variable CCT

Colour temperature is variable and can be adjusted on the fixture with a switch.
Light output varies according to the colour temperature selected as seen in above table.

DIM - DIMMABLE

DIMENSIONS



COLOUR TUNABLE SWITCH

The switch is located inside of the fixture.

1. 5000K
2. 4000K
3. 3000K

1. 5000K
2. 4000K
3. 3000K

(Default switch setting)

Easily change the colour temperature with the flip of a switch.

1. TOP position = 5000K
2. MIDDLE position = 4000K
3. BOTTOM position = 3000K

ACCESSORIES

Linear Ceiling Pendant Mount Kit

Contains 2 x 5 foot aircraft cables with ceiling mounting plates, fixture mounting rod and nut, 6 drywall anchors, and 6 screws.

SKU 089814