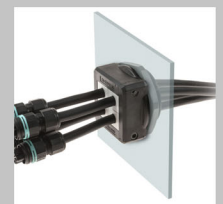




Electrical Components

Cable Glands & Accessories

- Plastic, Brass, Stainless Steel
- EMC
- 90°
- Flex-Protect
- SPLIT Glands
- Ventilation Plugs
- Locknuts
- Multi-hole Seals
- Stopping Plugs
- Sealing Washers
- Thread Adapters



Cable Glands & Accessories

This catalog features ITC’s extensive range of liquid-tight, strain relief cable glands (cord connectors) and accessories, including locknuts, sealing washers, plugs, etc. These cable glands suit most industrial applications such as switchgear manufacturing, automation and control panels, machine tools, instrumentation, and anywhere else a reliable, liquid-tight and pull-resistant seal is required when running cables and wires from an enclosure to the external environment.

ITC’s cable glands are available in an array of styles and colours, and in the most popular threads including Metric, NPT and Pg. These glands are designed to accommodate a wide variety of cable diameters, from approximately 2mm-63mm (0.08-2.50”), and most models are IP68 rated for immersion in water and still maintain a liquid-tight seal. The majority of models carry UL, CSA and VDE certifications.

ITC’s plastic glands are made of polyamide 6 (or PA6). Plastic locknuts are made of PA6 reinforced with 33% fiberglass. Standard colours are Black (similar to RAL9005) or light grey (similar to RAL7035). Other colours are available upon request for most polyamide glands.

Brass glands and locknuts are made of brass, nickel plated for optimal resistance to corrosion.

Stainless steel glands in select sizes are made in 303 SS. Internal seals are made of neoprene (synthetic rubber). See page 35 for more detailed characteristics of these materials.

New items to be found in this catalogue include brass glands for extra-large diameters of wires, Type ‘S’ glands, and Stainless Steel glands.

INDEX

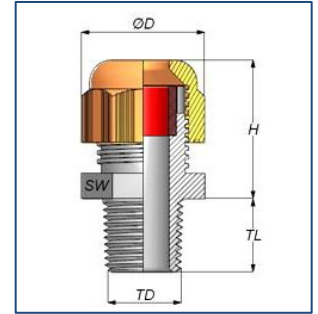
- Plastic Glands with Standard & Reducing Seals NPT 3
- Plastic Glands with Standard & Reducing Seals Metric 4
- Plastic Glands with Standard & Reducing Seals Pg 6
- Plastic Glands with Long Thread- Metric & Pg 7
- Flex Protect Spiral Plastic Glands with Standard & Reducing Seals 8
- Elbow Plastic Glands & Elbow Plastic Connectors 10
- Brass Glans with Standard & Reducing Seals - NPT 11
- Brass Glands with Standard & Long Thread - Metric 12
- Brass Glands with Standard & Long Thread - Pg 13
- Brass Glands with Standard & Reducing Seals - Metric & Pg 14
- Large Head Brass Glands with Long Thread - Metric 15
- Stainless Steel Glands with Standard & Reducing Seals - Metric & NPT 16
- EMC Metal Glands 18
- Ventilation Glands & Ventilation Plugs - Metric & Pg 19
- Accessories - Plastic Locknuts 22
- Accessories - Brass Locknuts 24
- Accessories - Stainless Steel Locknuts 25
- Accessories - Threaded Stopping Plugs 26
- Accessories - Snap Bushings & Plugs 28
- Accessories - Sealing Washers & O-Rings 29
- Accessories - Multi-Hole Seals 30
- Accessories - Flat & Custom Cable Seals 32
- Accessories - Special Seals for ASI Cables; Hole Plugs & Temporary Sealing Plugs 33
- Ingress Protection (IP) 34
- Characteristics of Plastic Materials 35
- Thread Tables with recommended cut-out sizes 36
- Split Cable Glands 37
- Thread Adapters 38

Plastic Glands - NPT

Standard liquid-tight polyamide (plastic) strain-relief connectors are used in most industrial applications for protecting and sealing a cable or wire in the transition across a panel or machine wall. ITC offers 2 versions of these glands, regular and Type 'S' (*S as last character of part number*), the dimensions of the two vary.

Features and specifications:

	Regular	Type S
Operating Temperature: Permanent	-20 to 100 °C	-40 to 100 °C
Intermittent	-30 to 150 °C	-40 to 150 °C
Ingress Protection	IP68 @5 Bar	
Material: Body and dome	Polyamide 6	Polyamide 6
Seal	Chloroprene	Neoprene



Plastic NPT Glands with Standard Seal (Order by Part No.)

NPT	Part Number		Cert.	Cable Range		Gland Dimensions (mm)				Gland Dimensions (in)				P a c k
	Light Grey	Black		mm	in	TD	TL	H	ØD	TD	TL	H	ØD	
3/8" NPT	180.038	180.138	CS, UL, US	5-10	0.197-0.394	17.1	15	32.0	25.0	0.67	0.59	1.263	0.98	50
3/8" NPT	—	180.138S	UL, US	2.5-8	0.098-0.315	17.1	11	27.0	22.0	0.67	0.43	1.06	0.75	50
1/2" NPT	180.050	180.150	CS, UL, US	6-12	0.236-0.472	21.2	15	32.4	27.0	0.84	0.59	1.276	1.06	50
1/2" NPTL	182.050	182.150	CS, UL, US	10-14	0.394-0.551	21.2	15	32.0	30.9	0.84	0.59	1.263	1.22	50
1/2" NPT	—	180.150S	UL, US	5-12	0.197-0.472	21.3	14	30.0	27.5	0.84	0.55	1.18	0.94	50
3/4" NPT	182.075	182.175	CS, UL, US	13-18	0.511-0.709	26.6	15	38.4	37.0	1.05	0.59	1.51	1.464	25
3/4" NPT	—	182.175S	UL, US	9-18	0.354-0.709	26.6	15	39	37.0	1.05	0.59	1.54	1.30	20
1" NPT	180.091	180.191	CS, UL, US	18-25	0.709-0.984	33.2	18	43.3	47.1	1.31	0.709	1.705	1.85	20
1" NPT	—	182.191S	UL, US	14-25	0.551-0.984	33.2	18	42	46.0	1.31	0.71	1.65	1.65	20
1 1/4" NPT	—	180.194	UL	22-32	0.866-1.260	42.0	18	53.0	53.0	1.65	0.709	2.087	2.087	10

Information subject to change without notice - All dimensions in mm except where indicated. See page 36 for recommended cut-out sizes

Plastic NPT Glands with Reducing Seal (Order by Part No.)

NPT	Part Number		Cert.	Cable Range		Gland Dimensions (mm)				Gland Dimensions (in)				P a c k
	Light Grey	Black		mm	in	TD	TL	H	ØD	TD	TL	H	ØD	
3/8" NPT	181.038	181.138	CS, UL, US	3-7	0.118-0.276	17.1	15	32.2	25.2	0.67	0.59	1.140	0.98	50
3/8" NPT	—	181.138S	UL, US	1.5-6	0.059-0.236	17.1	11	27.0	22.0	0.67	0.43	1.50	0.75	50
1/2" NPT	181.050	181.150	CS, UL, US	5-9	0.197-0.354	21.2	15	32.4	27.0	0.84	0.59	1.276	1.069	50
1/2" NPTL	183.050	183.150	CS, UL, US	7-12	0.276-0.472	21.2	15	32.0	31.0	0.84	0.59	1.263	1.22	50
1/2" NPT	—	181.150S	UL, US	3-9	0.118-0.354	21.2	14	30.0	27.5	0.84	0.55	1.73	0.94	50
3/4" NPT	183.075	183.175	CS, UL, US	9-16	0.354-0.630	26.6	15	38.4	37.2	1.05	0.59	1.51	1.465	25
3/4" NPT	—	183.175S	UL, US	7-16	0.276-0.630	26.6	15	39.0	37	1.05	0.59	2.13	1.30	20
1" NPT	181.091	181.191	CS, UL, US	12-20	0.472-0.787	33.2	18	43.3	47.1	1.31	0.709	1.705	1.85	20
1" NPT	—	181.191S	UL, US	11-21	0.433-0.827	33.2	18	42.0	46.5	1.31	0.71	2.36	1.65	20
1 1/4" NPT	—	181.194	UL	20-26	0.787-1.024	42.0	18	51.5	53.0	1.65	0.709	2.087	2.087	10

Information subject to change without notice - All dimensions in mm except where indicated. See page 36 for recommended cut-out sizes