



FORTEZZA™ REMOTE

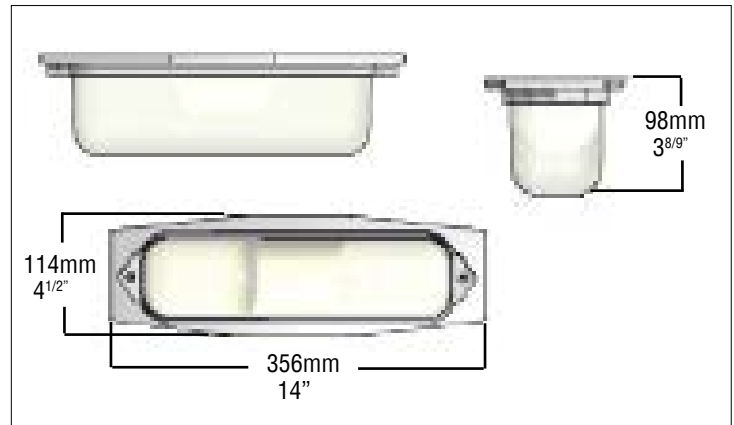
IP66 & Vandal Resistant Remote

Project Name: _____ Model Number: _____
 Prepared By: _____ Date: _____

FEATURES & BENEFITS

- Constructed of powder coated steel mounting plate with impact resistant UV polycarbonate protective lens
- Up to 2 x 50W halogen or LED lamps
- P66 / Wet location
- Sanitation listed for use in food preparation environments
- Vandal resistant design
- Fully enclosed lamp heads eliminate any unwanted tampering or re-positioning
- Applications: schools, corridors, institutions, apartment complexes
- Supplied with a universal mounting plate for surface ceiling or wall mount applications
- Operating temperature: -20°C to +40°C
- Salt Spray Passed
- CSA 22.2 No. 141-15 Performance Certified

DIMENSIONS



ORDERING GUIDE

FTZ-RMT - -

SERIES	LAMP	OPTIONS
FTZ-RMT	See Lamp Selection	CC (Custom colour mounting plate))

LAMP SELECTION

	12V
MR16	20, 35, 50W