

LUNA 56 PRO

5" / 6" Fixed, 1100-2500 Lumens, 17-33 Watts, Color Selectable

Recessed Downlighting

Description

The RA56 is a fixed recessed light fixture for new construction and retrofit in 5" or 6" application. It is a high-performance, easy to install downlight solution that offers good light output, energy-efficiency and streamlined design. Suitable for wet locations.

Features

Body

Durable airtight aluminum body with heat sink to provide maximum airflow for the LED light source.

LED Characteristics

This general application light fixture available in 17, 20 and 33 watt LED module that maintains uniform intensity producing up to 2500 lumens; with a typical CRI of 90. On-fixture color selectable switch allows switching between 2700 K, 3000 K, 3500 K, 4000 K and 5000 K color temperatures.

Dimming

100%-10% dimming capability. This fixture is compatible with industry standard forward-phase / reverse-phase and TRIAC/ELV dimmers. 0-10V dimming capability available with

commercial driver (contact factory for list of compatible dimmers).

Beam Spread

The fixture lens provides 40° beam spread.

Mounting

Includes two spring loaded clips to attached to any ceiling material. Compatible with 5" and 6" nominal hole cut sizes.

LED Driver

Extruded aluminum hardwire box available with 370mA, 480mA and 750mA dimmable class II electronic LED driver with 100-135V AC input. Includes an 18" FT6 rated cable with DC 2.1 connector between driver and fixture approved for use in plenums

and suspended ceilings. Optional commercial driver 120-347V available.

Quick Connect push-in terminals

Three "Quick connect" push-in terminals for fast and easy wiring.

Minimum Starting Temperature

-40°C (-40°F)

Environment

- Suitable for wet locations.
- Suitable for indoor/outdoor applications.
- Approved for direct contact with insulation.
- Airtight

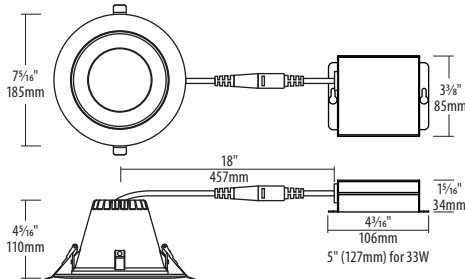


SPECIFICATION	
Application	Ceiling Recess Mount
Approved Location	Wet / Insulated Ceilings / Indoor / Outdoor
Beam Angle	40°
CCT (color selectable)	2700 K / 3000 K / 3500 K / 4000 K / 5000 K
Certification	cETLus
Class II	Yes
Color (Trim)	BK / BN / WH
Color (Reflector)	BK / GD / RG / SP / SS / WH
CRI	90
Dimming	Yes
Dimming Tech	Forward/reverse-phase TRIAC/ELV
Energy Star	Yes*
Hole Cut	Ø 5 1/2" - 6 1/8" (140-155mm)
Input	100-135V AC, 60Hz
Lumens	Up to 2500
Lumens per Watt	Up to 83
Power Factor	0.9
Projected Life	70% @ 50,000 hrs
Warranty	Lifetime
Wattage	17W / 20W / 33W

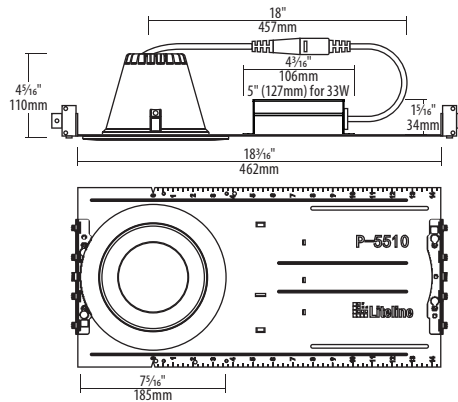
* Energy star and JA8 only available for 17/33W with standard 120V driver.

Technical Drawings

Mounting: Remodel



Mounting: New Construction



LUMEN OUTPUT			
CCT	17W	20W	33W
2700 K	1,100	1,370	2,230
3000 K	1,150	1,435	2,330
3500 K	1,200	1,510	2,420
4000 K	1,175	1,510	2,500
5000 K	1,120	1,420	2,440

Ordering Guide

Wattage
RA56 - - **90**

Driver Options
 Leave blank for standard 120V driver
E: Hi-lume 1% EcoSystem, w/Soft-on, Fade-to-Black
EM: Emergency Backup, 120-277V, 0-10V
C: 120-347V, 0-10V
D: Dali

Trim Color
BK: Black
BN: Brushed Nickel
WH: White

Reflector Finish
BK: Black
WH: White
GD: Gold
RG: Rose Gold
SP: Specular
SS: Semi-specular

Mounting
 Leave blank for remodel
NC: New Construction
AR: Architectural
 C-Channel Brackets

Shipping
 Leave blank for ship complete
2: Ship Rough-in First

QUICKSHIP 2-DAY
 Highlighted option denotes QuickShip.

Notes: Accessories are sold separately. For additional options please consult your Liteline representative. Due to our continued efforts to improve our products, product specifications are subject to change without notice.

Accessories



SLM-60-FC

60" Flexible connector, for use with SLIMLED and LUNA fixtures.



P-5510

5½" Round pre-mounting plate with driver attachment clip.



P-5510NC

5½" Round new construction plate with driver attachment clip.



P-NCMK-1

New construction mounting kit. Includes hanger bars, brackets and screws.



RA56-XLRING

Reducer ring. Compatible with 7½" (190mm) to 8" (205mm) hole cut sizes. Available in Black (BK), Brushed Nickel (BN) and White (WH).



VBE-1

Vapour barrier extender. For use in new construction applications.



VBE-3

Vapour barrier extender. For use in remodel applications.



VBE-5

Vapour barrier extender. For use in new construction applications.



LC-CRTL-3WAY-1

Smart Wi-Fi 3-Way Switch.



LC-CRTL-DIM-1

Smart Wi-Fi dimmer, 120V.

Technical Drawings

Mounting: Architectural C-Channel Brackets

