

NRL80 / NRL86 / NRL96 SERIES

PLUGS AND RECEPTACLES

Installation & Wiring Information

SAVE THESE INSTRUCTIONS FOR FUTURE REFERENCE

⚠ CAUTION Read carefully before installing and wiring.

Any warning or special instructions should be closely followed. Check the ratings to insure suitability for the environment & supply. Must be installed in accordance with the NEC or CEC and all other applicable codes.

All devices must be properly grounded. These devices are not suitable for hazardous locations. Do not attempt to install these devices unless you are familiar with warnings, cautions and procedures outlined in this information sheet.

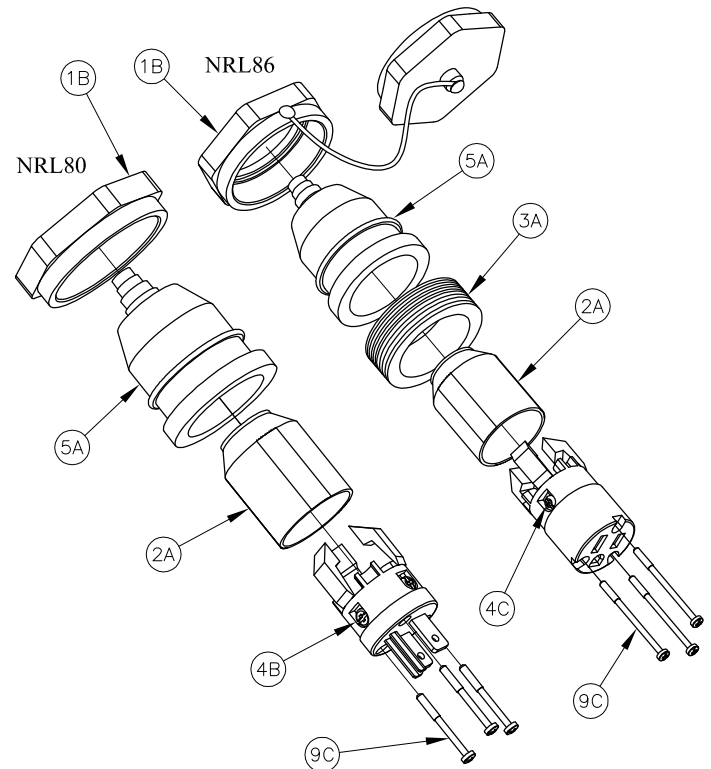
INSTALLATION & ELECTRICAL WIRING

⚠ WARNING Risk of electrical shock hazard, only qualified personnel should conduct this procedure!

Do not make electrical connections with the power ON. Use cu or cu clad wire only. These devices are for operation on 125, 250 or 277 vac max. 15 or 20 amps, see marking on plug / connector / receptacle for voltage and current rating.

NRL80 - PLUG

1. Route supply cable (not provided) through ring (1B), through rubber boot (5A) and through wiring cover (2A).
2. Cable should be stripped back approx. 2" - 3" to allow individual wires to flex.
3. Strip the insulation of the supply wires back approximately 3/8".
- ⚠ CAUTION** See marking on plug for voltage and current rating.
4. Make electrical connections to plug (4B).
5. Place wiring cover (2A) over plug (4B) connections.
6. Tighten screws (9C).
7. Pull rubber boot (5A) inside ring (1B).
8. Push plug assembly inside rubber (5A).

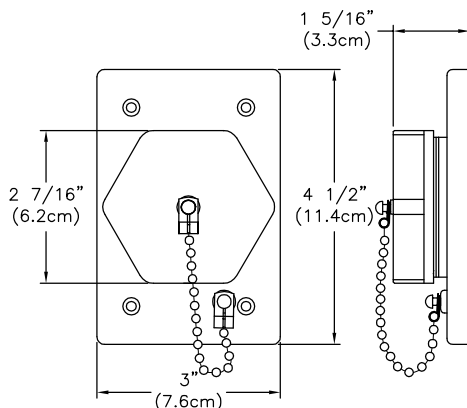


NRL86 - CONNECTOR

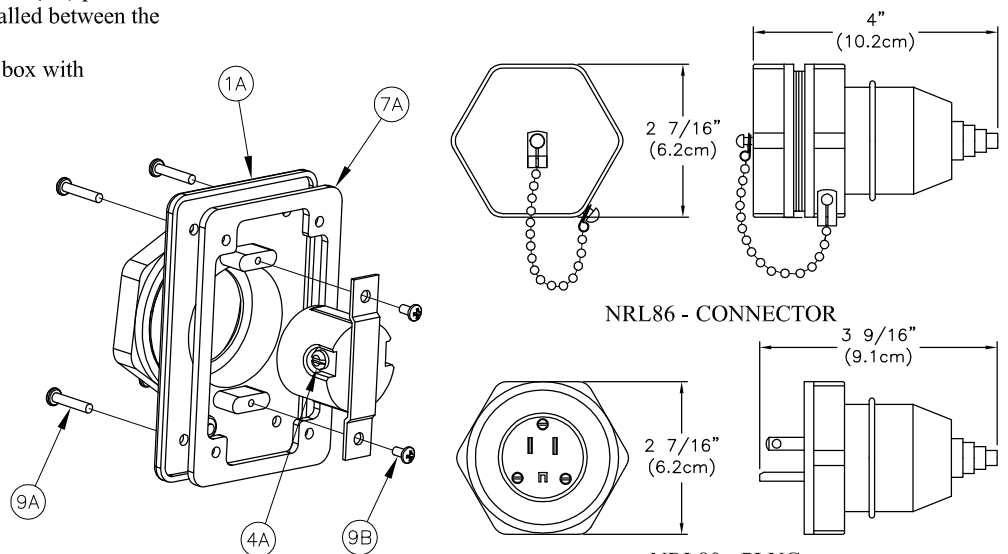
1. Route supply cable (not provided) through ring (1B), through rubber boot (5A), through threaded ring (3A) and through wiring cover (2A).
2. Cable should be stripped back approx. 2" - 3" to allow individual wires to flex.
3. Strip the insulation of the supply wires back approximately 3/8".
- ⚠ CAUTION** See marking on connector for voltage and current rating.
4. Make electrical connections to connector (4C).
5. Place wiring cover (2A) over connector (4C).
6. Tighten screws (9C).
7. Pull rubber boot (5A) inside ring (1B).
8. Screw threaded ring (3A) inside ring (1B) and tighten against rubber boot (5A).
9. Push connector assembly inside rubber boot (5A).

NRL96 - RECEPTACLE

1. Strip the insulation of the supply wires back approximately 3/8".
- ⚠ CAUTION** See marking on receptacle for voltage and current rating.
2. Make electrical connections to receptacle (4A).
3. Mount receptacle (4A) to cover (1A) with #6 screws (9B) provided.
4. Slip gasket (7A) over cover (1A) so it can be installed between the cover and junction box.
5. Mount cover and receptacle assembly to junction box with #6 screws (9A) provided.



NRL96 - RECEPTACLE



NRL80 - PLUG

All statements, technical information and recommendations contained herein are based on information and tests we believe to be reliable. The accuracy or completeness thereof are not guaranteed. In accordance with Crouse-Hinds "Terms and Conditions of Sale", and since conditions of use are outside our control, the purchaser should determine the suitability of the product for his intended use and assumes all risk and liability whatsoever in connection therewith.