

WET LOCATION GFCI COVER

Installation & Maintenance Information

SAVE THESE INSTRUCTIONS FOR FUTURE REFERENCE

APPLICATION

This cover assembly is intended for areas subject to saturation from water or other liquids (see description for "Wet Location" and "Damp Location" in the National Electric Code). The cover must be mounted with the hinge at the top. Cover assembly includes: cover, door, gaskets, hinge spring, hinge pin, and mounting screws (see Fig. 2).

⚠ WARNING

Turn off power to circuit before installing this device.
Improper wiring of any electrical device can cause serious injury or death. These wiring devices should only be installed by an electrician or other qualified person.

INSTALLATION INSTRUCTIONS

Note: The cover should be installed on a smooth, flat, clean surface.

1. Disconnect power to circuit.
2. Install outlet box (not included) according to product instructions.
3. Wire device(s) (not included) according to product instructions and attach to outlet box.
4. Position cover assembly on box (see Fig. 1 and Fig. 2) and secure cover to outlet box with (4) screws provided (2 screws for WLGF).
5. Turn on power.

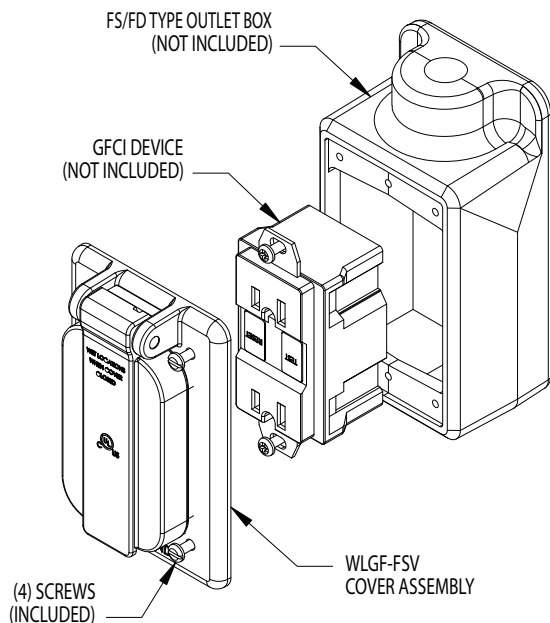


Figure 1 - Typical Assembly of Vertical Cover

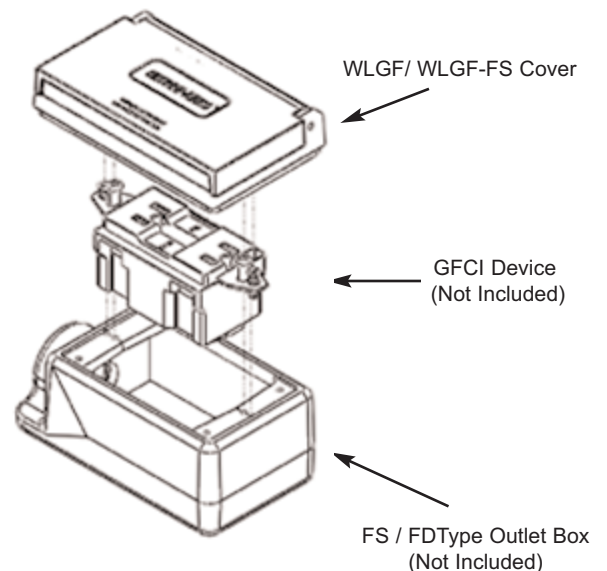


Figure 2 - Typical Assembly of Horizontal Cover

All statements, technical information and recommendations contained herein are based on information and tests we believe to be reliable. The accuracy or completeness thereof are not guaranteed. In accordance with Cooper Crouse-Hinds "Terms and Conditions of Sale," and since conditions of use are outside our control, the purchaser should determine the suitability of the product for his intended use and assumes all risk and liability whatsoever in connection therewith.