

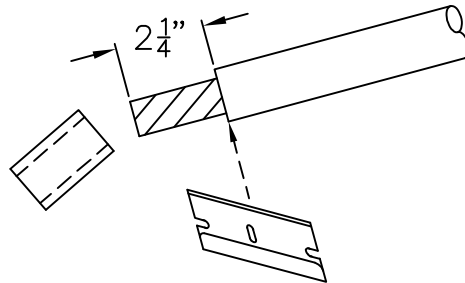
cam-lok<sup>®</sup>  
 ASSEMBLY INSTRUCTIONS  
 Series E1017, E1019 and E1023

EB 94

NOTE: USE COPPER (CU)  
 CONDUCTORS ONLY.

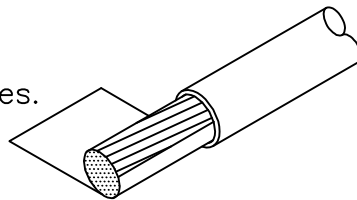
Page 1 of 3

1. Cut Cable. Use sharp cable  
 cutter. Do not saw (distorts cable  
 stranding, conductor will not fit in  
 contact).

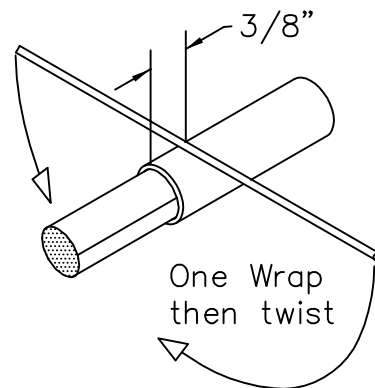
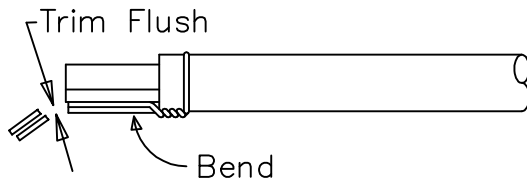


2. Remove jacket

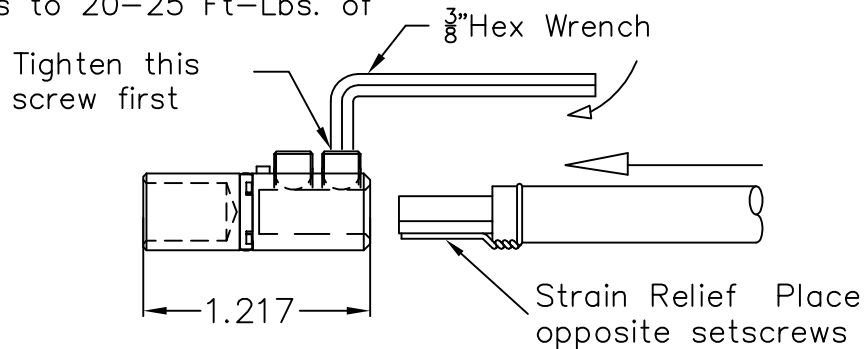
3. Wrap copper shim.  
 Use two for smaller cables.



4. Wrap strain relief wire.

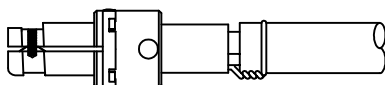


5. Insert conductor into contact.  
 Tighten screws to 20-25 Ft-Lbs. of  
 torque.



OR

5B. CRIMP CONTACT



CABLE SIZE	CRIMP NEST	CRIMP PRESS
350 MCM	A300047-1	Min. 20T Mech.
500 MCM	A300047-2	or Hydraulic
750 MCM	A300047-3	Press
444 MCM	T&B #86	T&B 13642PF

cam-lok®  
ASSEMBLY INSTRUCTIONS  
Series E1017, E1019 and E1023

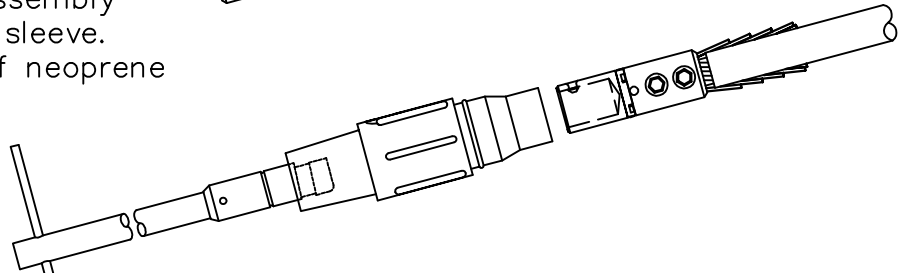
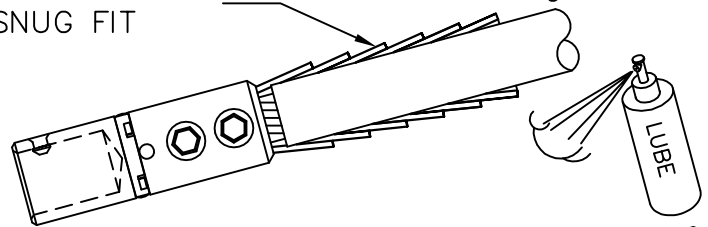
EB 94

Page 2 of 3

6. Build up cable jacket with uncured neoprene tape until it is a snug fit on ID of sleeve.

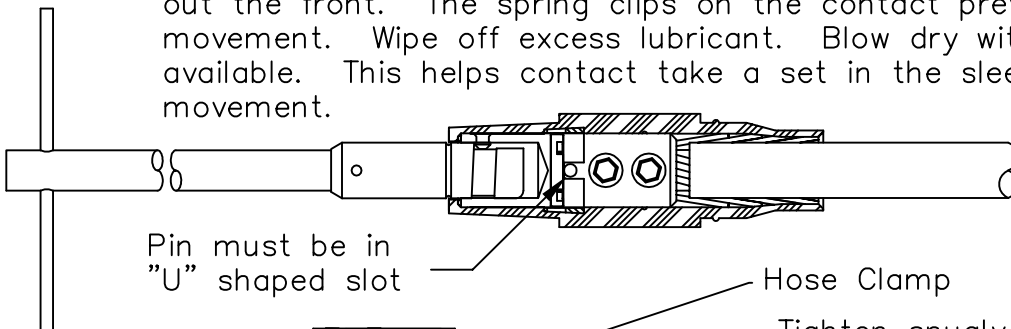
7. Lubricate ID of sleeve lightly. Insert Com-a-long assembly tool through front of sleeve. Lightly lubricate OD of neoprene tape and contact.

BUILD UP FOR  
SNUG FIT



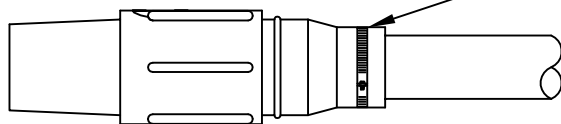
8. Connect Com-a-long to contact and pull contact into sleeve. Pin on contact must line up with slot in sleeve. Rotate com-a-long while pulling if necessary to line up pin and slot.

The pin in the slot prevents the contact from rotating and pulling out the front. The spring clips on the contact prevent rearward movement. Wipe off excess lubricant. Blow dry with air hose, if available. This helps contact take a set in the sleeve and prevent movement.



Pin must be in  
"U" shaped slot

Hose Clamp



Tighten snugly, DO NOT over tighten. Over tightening will distort the sleeve.

9. Wrap several layers of electrical tape over hose clamp to prevent accidental cutting of hands from sharp edges.

**CAUTION - ONCE THE ASSEMBLY HAS BEEN MADE, IT CAN NOT BE DISASSEMBLED WITHOUT DESTROYING THE LOCKING RING ON THE CONTACT.**

POSITIVE LATCH CONNECTORS

Follow above procedure and at Step 6 check to be sure the red trip button is operating. Depress button and check that positive latch blade in end of contact retracts and returns as button is depressed and released. If button hangs up, try pulling contact into sleeve further so the trip button lines up with button in contact. Recheck after tightening hose clamp to be sure free movement of latch remains.

cam-lok<sup>®</sup>  
**ASSEMBLY INSTRUCTIONS**  
 Series E1017, E1019, and E1023

EB 94

Page 3 of 3

CONTACT AND CONDUCTOR SIZE INFORMATION						
Series	Style	Conductor Size	Continuous Amp Rating*	Conductor Entrance Diameter	Contact	
					Male	Female
E1017	DOUBLE SET SCREW	350-500 MCM	545	.969	A200612-1	A200614-2
E1017	CRIMP / SOLDER	350 MCM	545	.822	A200028-1	A200027-5
E1017	CRIMP / SOLDER	500 MCM	545	.950	A200028-2	A200027-6
E1017	CRIMP / SOLDER	750 MCM	690	1.090	A200028-3	A200027-7
E1019	CRIMP / SOLDER	350 MCM	545	.822	A200028-1	A200027-1
E1019	CRIMP / SOLDER	500 MCM	545	.950	A200028-2	A200027-2
E1019	CRIMP / SOLDER	750 MCM	690	1.090	A200028-3	A200027-3
E1023	CRIMP	350 MCM	545	.822	A200029-1	A200027-14
E1023	CRIMP	444 MCM	545	.875	A200029-7	A200027-25
E1023	CRIMP	500 MCM	545	.950	A200029-2	A200027-15
E1023	CRIMP	750 MCM	690	1.090	A200029-3	A200027-16
E1023	CRIMP	800 MCM	690	1.156	A200029-4	A200027-17

\* Maximum continuous current rating of contacts.

\* E1017 not suitable for grounding when used with 750kcmil Cu conductor

Male and Female Com-a-long assembly tools are available for pulling contacts into sleeve and are recommended. Part numbers are:

A200020-5 Female Com-a-long for Male Connector

A200020-6 Male Com-a-long for Female Connector

**LUBRICANT**

Assembly of contact is easier if an evaporating type lubricant is used. A light application of Ivory soap may also be used.



EATON.COM/RECYCLING



**Crouse-Hinds**

**Crouse-Hinds Molded Products**

**UNITED STATES:**

4758 Washington Street • LaGrange, North Carolina 28551  
 Phone (252) 566-3014 • FSCM-90129 • FAX (252) 566-9337

**CANADA:**

Crouse-Hinds Canada Ltd.

5925 McLaughlin Road • Mississauga, Ontario L5R 1B8  
 Phone (905) 507-4187 • FAX (905) 501-4078