



PAN-WAY EXTENSION JUNCTION BOX

FOR USE WITH PANDUIT SURFACE RACEWAY ROUTING SYSTEM

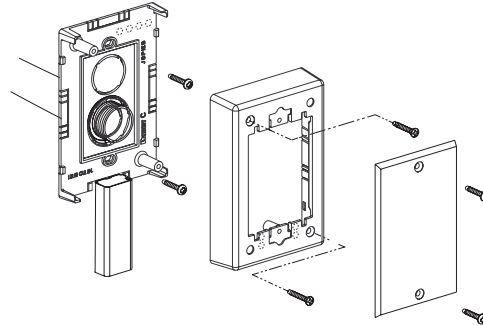
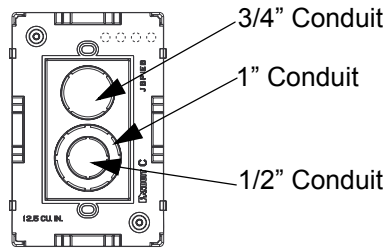
Part Number: JBP1E

INSTALLATION INSTRUCTIONS

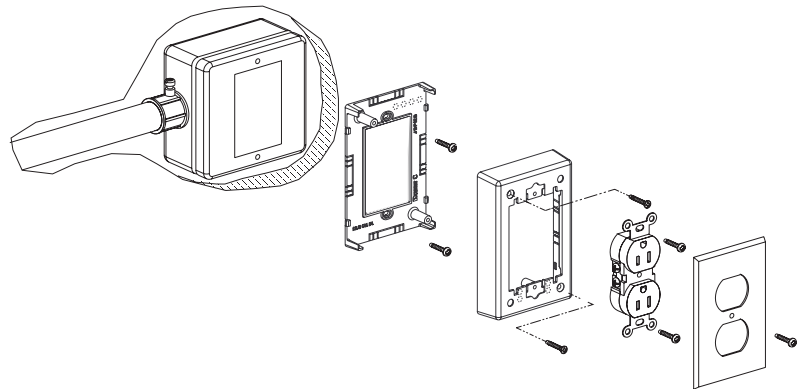
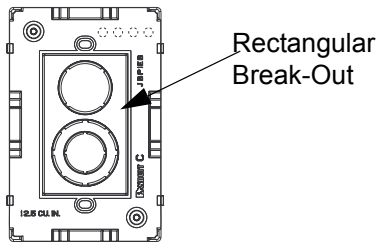
©Panduit Corp. 2005

Printed in U.S.A.

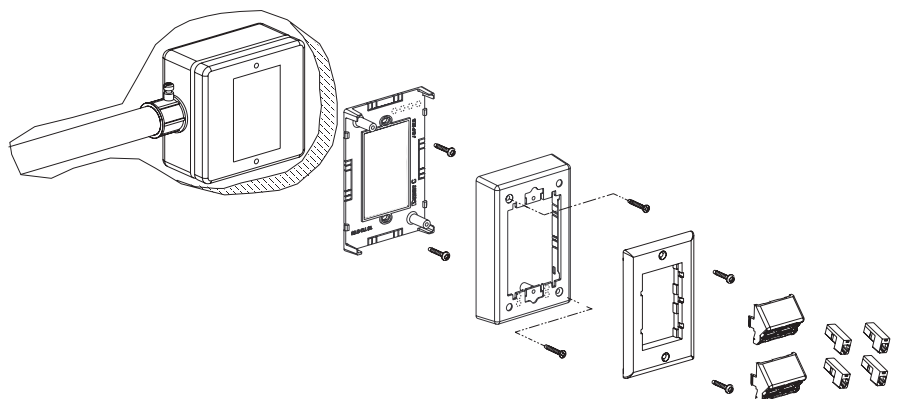
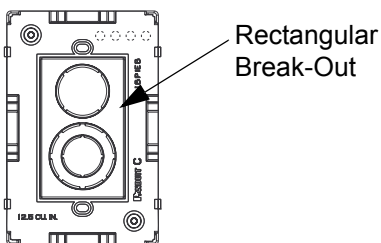
CONDUIT APPLICATION



IN-WALL BOX POWER APPLICATION

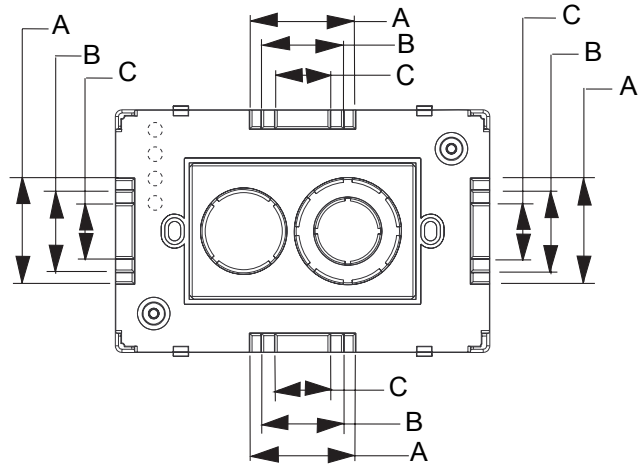
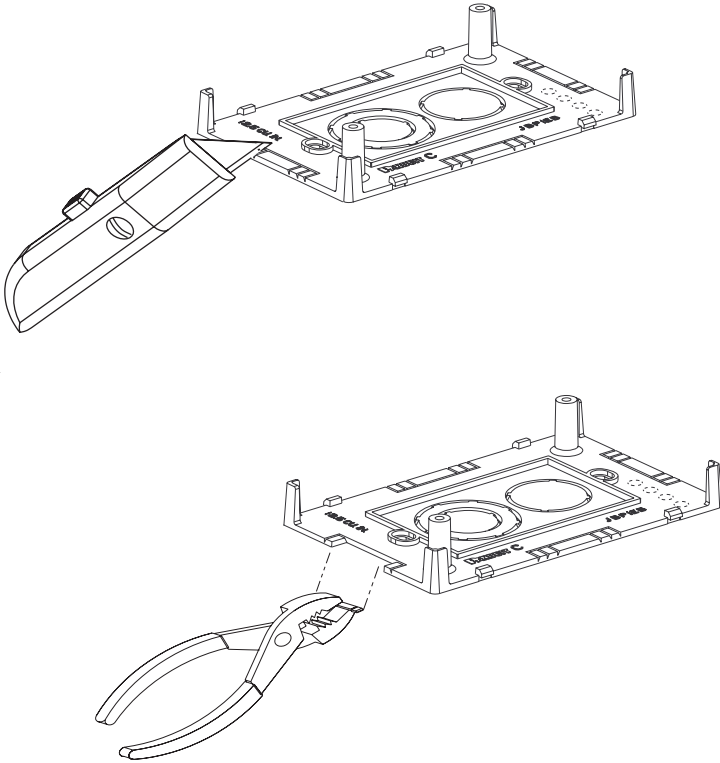


IN-WALL BOX DATA APPLICATION



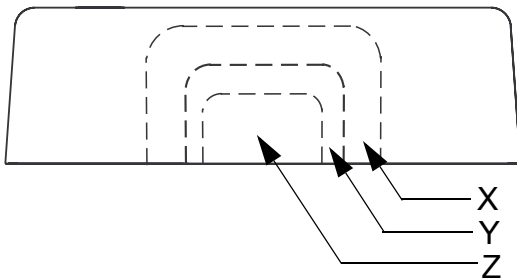
POWER JUNCTION BOX INSTALLATION INSTRUCTIONS

BASE BREAKOUTS

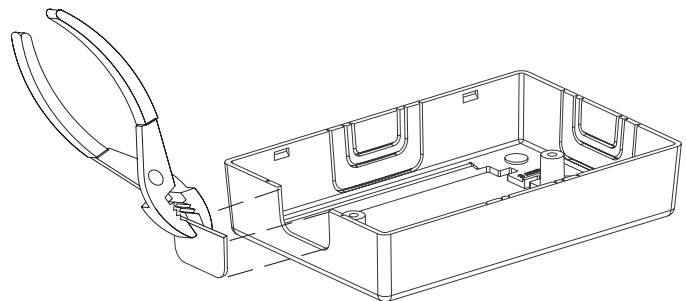
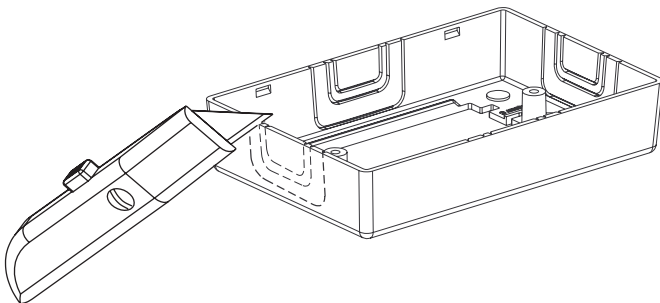


BASE	RACEWAY
A	LDPH10, LD10
B	LDPH5, LD5, LDS5
C	LDPH3, LD3, LDS3

COVER BREAKOUTS



COVER	RACEWAY
X	LDPH10, LD10
Y	LDPH5, LD5, LDS5
Z	LDPH3, LD3, LDS3



Instruction Sheet RW45A

WORLDWIDE SUBSIDIARIES AND SALES OFFICES

17301 Ridgeland Avenue
Tinley Park, IL 60477-3091
Web Site: www.panduit.com



Technical Support: 866-405-6656
Fax: 866-449-1702
Email: netconnsupport@panduit.com