

ASPR | PRIMA™

HIGH-END BASEBOARD



PRIMA™



ELEGANCE, DISCRETION AND EFFICIENCY

The Prima electric baseboard has a distinctive compact format that adapts to various applications without compromising on performance. Thanks to its safe and innovative housing design with concealed elements, it's easy to clean and maintain. Sleek and elegant, Prima adds a modern touch to any room.

- **SAFER HOUSING**
1/4 IN (6 MM) OPENINGS BLOCK ACCESS TO ELEMENTS
- **IMPACT RESISTANT**
REINFORCED FRONT PANEL
- **FAST AND EASY INSTALLATION**
GUIDE MARKS TO FACILITATE MOUNTING TO WALL
- **EASY TO CLEAN**
TWO-CLICK REMOVABLE FRONT PANEL

COLORS

- **standard:** white
- **ORORA (optional):** refer to www.stelpro.com/en-US/orora

FINISH

- epoxy-polyester powdercoat

MANUFACTURING

- 22-gauge annealed galvanized steel housing and 20-gauge one-piece front panel that can support 99.8 kg (220 lbs) at the centre
- full-length thermal protection with automatic reset
- discreet air inlet; air exits from the top for maximum air circulation
- full-length wireway

ELEMENT

- single tubular, stainless steel sheathed element with boxed aluminum fins for improved heat dissipation; the element is securely fastened at its centre, floating in nylon sleeves at each end, eliminating expansion and contraction noises during heat cycles

CONTROL

- wall thermostat (not included) – use of a Stelpro electronic thermostat is strongly recommended
- built-in single pole electronic thermostat that can be installed in the right or left junction box (optional)
- low voltage relay kit and disconnect switch (optional)

INSTALLATION

- surface mounted
- connection compartment at each end
- BX and clamp knockouts for the NMD cables located at each end, at the back and under the unit
- oblong mounting holes at 1-inch intervals (top and bottom) and marks every 8 inches to locate studs

WARRANTY

- five years, *three years on electronic components and lifetime warranty on heating element (for original owner)



ULTRA PRECISE ELECTRONIC THERMOSTAT (OPTIONAL)

IDEAL FOR:

living room, dining room, kitchen, bedroom, office

°STELPRO

Stelpro reserves the right to modify descriptions, manufacturing specifications or prices without prior notice. No returns accepted on optional-color products. For all the latest models and prices, please refer to our website at www.stelpro.com.



FC_SPR_US_230623

TECHNICAL SPECIFICATIONS

FOR RESIDENTIAL USE

275 W DENSITY PER LINEAR FOOT*			225 W DENSITY PER LINEAR FOOT*			VOLTAGE	TOTAL LENGTH	WALL LENGTH	WEIGHT
CODE	WATTS	BTU/H	CODE	WATTS	BTU/H	VOLTS	IN.	IN.	LB
ASPRM0371	375	1280	---	---	---	120	22 1/4	21 7/8	5.7
ASPRM0378	375	1280	---	---	---	208	22 1/4	21 7/8	5.7
ASPRM0372	375/280	1280/956	---	---	---	240/208	22 1/4	21 7/8	5.7
ASPRM0377	375/280/210	1280/956/717	---	---	---	277/240/208	22 1/4	21 7/8	5.7
ASPRM0751	750	2560	ASPRL0501	500	1706	120	36 1/16	35 11/16	7.7
ASPRM0758	750	2560	ASPRL0508	500	1706	208	36 1/16	35 11/16	7.7
ASPRM0752	750/560	2560/1911	ASPRL0502	500/375	1706/1280	240/208	36 1/16	35 11/16	7.7
ASPRM0757	750/560/420	2560/1911/1433	ASPRL0507	500/375/280	1706/1280/956	277/240/208	36 1/16	35 11/16	7.7
ASPRM1251	1250	4266	ASPRL1001	1000	3413	120	49 7/8	49 1/2	9.7
ASPRM1258	1250	4266	ASPRL1008	1000	3413	208	49 7/8	49 1/2	9.7
ASPRM1252	1250/940	4266/3208	ASPRL1002	1000/750	3413/2560	240/208	49 7/8	49 1/2	9.7
ASPRM1257	1250/940/700	4266/3208/2389	ASPRL1007	1000/750/560	3413/2560/1911	277/240/208	49 7/8	49 1/2	9.7
---	---	---	ASPRL1501	1500	5119	120	63 11/16	63 5/16	11.7
ASPRM1758	1750	5972	ASPRL1508	1500	5119	208	63 11/16	63 5/16	11.7
ASPRM1752	1750/1310	5972/4488	ASPRL1502	1500/1125	5119/3839	240/208	63 11/16	63 5/16	11.7
ASPRM1757	1750/1310/985	5972/4488/3362	ASPRL1507	1500/1125/840	5119/3839/3839	277/240/208	63 11/16	63 5/16	11.7

Add W for white (consult the optional colors chart or contact your Stelpro representative for all other colors).

*Densities are averages. --- not available

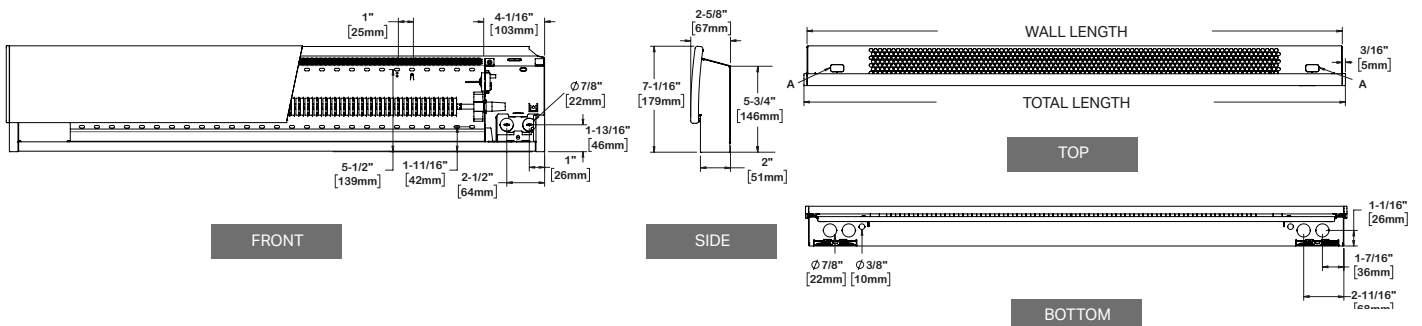
ACCESSORIES

PRODUCT	DESCRIPTION
SIBTE12F	built-in electronic thermostat – Fahrenheit [120 V-240 V]
SIBTE13F	built-in electronic thermostat – Fahrenheit [277 V-347 V]
SPRRE153*	built-in electronic low voltage relay [15 A @ 120 V-347 V]
SPRRE153T*	built-in electronic low voltage relay with 24 V transformer [15 A @ 208 V-347 V]
SPRRM120T*	built-in electromechanical relay with 24 V transformer [6000 W @ 120 V]
SPRRM240T*	built-in electromechanical relay with 24 V transformer [6000 W @ 240 V and 5200 W @ 208 V]
SPRRM277T*	built-in electromechanical relay with 24 V transformer [6000 W @ 277 V]
SPRRM347C*	built-in electromechanical relay without 24 V transformer [6000 W @ 120 V-347 V]
SPRDIS600*	disconnect switch [120V -600V] 30A

Electronic relays can receive a PWM (pulsed width modulation) or all-or-nothing (on/off) signal.

*Factory installation only

TECHNICAL DRAWINGS



A = LOCATION OF BUILT-IN THERMOSTAT (OPTIONAL)



DISCOVER OUR RANGE OF COLORS



TURQUOISE



MOSS GREEN



RED



DENIM BLUE



CHARCOAL



ORANGE

All optional colors: www.stelpro.com/en-US/Orora





Stelpro reserves the right to modify descriptions, manufacturing specifications or prices without prior notice. No returns accepted on optional-color products. For all the latest models and prices, please refer to our website at www.stelpro.com.