

Day-Brite

CFI

by Signify

Linear

SDS Selectable Strip

4ft & 8ft



The SDS Selectable Strip LED from Day-Brite/CFI is an economical, lumen and CCT field selectable luminaire which can be used for commercial or residential applications.



Project: _____
 Location: _____
 Cat.No: _____
 Type: _____
 Lumens: _____ Qty: _____
 Notes: _____

Ordering guide

Example: SDS42448L8CST-UN3-DIM

Series	Length (nominal)	Lumens ¹ (nominal)	Color temp. (K)	Voltage	Dimming
<input type="text" value="SDS"/>			<input type="text" value="8CST"/>	<input type="text" value="UN3"/>	<input type="text" value="DIM"/>
SDS Selectable Strip LED	4 4' length	2448L 2430/3640/4850lm	8CST 80 CRI, Color Select (3500/4000/5000K)	UN3 Universal voltage 120-347V	DIM 0-10V dimming
	8 8' length	4998L 4900/7350/9800lm			

1. Nominal delivered lumens at 25°C ambient.

Accessories (order separately)

- MD360 Field installable motion detector (120-277V)
- MD360-347 Field installable motion detector (347V)
- FKR-126 Two 5' chains and "V" hooks
- SV5F12 12" White stem and canopy kit (1/4" trade size with locknuts included)
- SV5F18 18" White stem and canopy kit (1/4" trade size with locknuts included)
- SV5F24 24" White stem and canopy kit (1/4" trade size with locknuts included)
- SV5F36 36" White stem and canopy kit (1/4" trade size with locknuts included)
- SV5F48 48" White stem and canopy kit (1/4" trade size with locknuts included)
- DACHxx Adjustable cable hanger kit (single)
- DACHxx-1-SC Adjustable cable hanger kit with white straight 18/3 cord (single)
- DACHxx-2-SC Adjustable cable hanger kit with white straight 18/4 cord (single)
- DACHxx-1D-SC Adjustable cable hanger kit with white straight 18/5 cord with dimming leads (single) (xx=cable length in inches, enter 48" to 180" lengths in 12" increments)

Many luminaire components, such as reflectors, lenses, sockets, lampholders, and LEDs are made from various types of plastics which can be adversely affected by airborne contaminants. If sulfur based chemicals, petroleum based products, cleaning solutions, or other contaminants are expected in the intended area of use, consult factory for compatibility.

Features

- White painted metal housing for durability.
- Frosted polycarbonate lens for even, low glare lighting.
- Field CCT and Lumen selectable.
- Safety cable between lens/LED assembly and housing for ease of service and installation.
- Easy hanging installation with holes provided in housing.
- cULus listed to meet UL 1598 standards for -20C to 40C ambient.
- Suitable for damp locations.
- L70 LED predicted lumen maintenance >50,000 hours.
- 5 year limited luminaire warranty. Visit www.signify.com/warranties for complete warranty information.
- DesignLights Consortium qualified. Please see the DLC QPL list for exact catalog numbers (www.designlights.org/QPL)



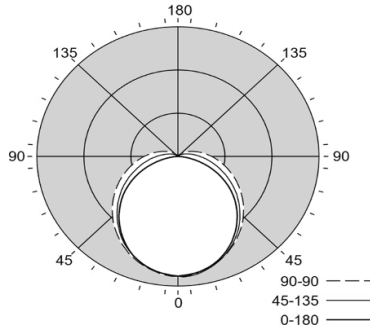
SDS Selectable Strip LED

4ft & 8ft

Photometry

SDS42448L8CST-UN3-DIM 40W-4000K

Luminaire Lumens	4986
Luminaire Efficacy Rating (LER)	124
Total Luminaire Watts	40.2
Spacing Criterion (0-180)	1.24



	Candela Distribution					Flux
	0	45	90	135	180	Lumens
0	1351	1351	1351	1351	1351	
5	1337	1359	1354	1341	1339	128
15	1284	1309	1309	1295	1288	367
25	1186	1219	1234	1211	1190	559
35	1043	1095	1128	1086	1049	683
45	872	943	1001	932	878	728
55	678	775	862	771	684	693
65	460	603	714	602	467	593
75	229	438	571	440	235	452
85	41	304	438	298	44	310
90	3	244	379	237	4	
95	3	197	321	193	3	202
105	2	118	225	117	1	126
115	2	70	146	65	2	74
125	2	37	89	35	2	39
135	3	18	49	19	3	18
145	4	7	24	7	4	8
155	6	6	8	6	7	3
165	7	8	6	8	8	2
175	9	9	9	9	8	1
180	9	9	9	9	9	

Coefficients of Utilization (%)											
Pc--	80				70			50			0
Pw--	70	50	30	10	70	50	30	50	30	10	0
RCR											
0	117	117	117	117	113	113	113	106	106	106	91
1	104	99	93	89	100	95	91	89	85	82	71
2	94	85	77	71	90	82	75	77	71	66	57
3	85	74	65	58	82	71	63	67	60	55	48
4	78	65	56	49	75	63	54	59	52	46	40
5	71	58	48	41	68	56	47	53	45	39	34
6	66	52	43	36	63	50	42	48	40	34	30
7	61	47	38	32	59	46	37	43	36	30	26
8	57	43	34	28	54	42	33	39	32	27	23
9	53	39	31	25	51	38	30	36	29	24	21
10	49	36	28	23	48	35	28	34	27	22	19

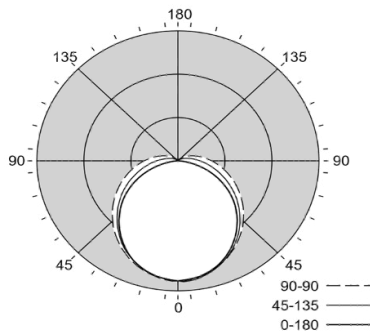
*Based on a floor reflectance of 0.2

Zonal Lumen Summary			
Zone	Lumens	%Fixture	%Lamp
0-30	1054	21.1%	21.1%
0-40	1737	34.8%	34.8%
0-60	3158	63.3%	63.3%
0-90	4513	90.5%	90.5%
90-130	441	8.8%	8.8%
90-150	467	9.4%	9.4%
90-180	473	9.5%	9.5%
0-180	4986	100.0%	100.0%

Avg. Luminance (cd/m²)			
	0	45	90
45	18938	14833	14261
55	17957	13358	13107
65	16262	11879	12053
75	12755	10464	11213
85	5850	9562	10651

SDS84998L8CST-UN3-DIM 80W-4000K

Luminaire Lumens	9244
Luminaire Efficacy Rating (LER)	119
Total Luminaire Watts	77.5
Spacing Criterion (0-180)	1.24



	Candela Distribution					Flux
	0	45	90	135	180	Lumens
0	2504	2504	2504	2504	2504	
5	2478	2520	2509	2485	2482	237
15	2380	2427	2428	2401	2388	680
25	2198	2260	2288	2244	2206	1037
35	1934	2031	2092	2014	1944	1267
45	1617	1749	1857	1727	1627	1349
55	1256	1438	1597	1430	1269	1285
65	852	1117	1324	1117	865	1099
75	424	813	1059	815	436	838
85	77	563	812	553	81	574
90	6	452	702	440	7	
95	6	365	596	358	6	374
105	3	220	416	217	3	234
115	4	129	270	120	4	136
125	3	68	165	65	3	73
135	6	33	91	35	6	34
145	8	13	45	12	8	15
155	12	12	15	11	12	6
165	12	15	12	15	14	4
175	16	16	16	16	15	2
180	16	16	16	16	16	

Coefficients of Utilization (%)											
Pc--	80				70			50			0
Pw--	70	50	30	10	70	50	30	50	30	10	0
RCR											
0	117	117	117	117	113	113	113	106	106	106	91
1	104	99	93	89	100	95	91	89	85	82	71
2	94	85	77	71	90	82	75	77	71	66	57
3	85	74	65	58	82	71	63	67	60	55	48
4	78	65	56	49	75	63	54	59	52	46	40
5	71	58	48	41	68	56	47	53	45	39	34
6	66	52	43	36	63	50	42	48	40	34	30
7	61	47	38	32	59	46	37	43	36	30	26
8	57	43	34	28	54	42	33	39	32	27	23
9	53	39	31	25	51	38	30	36	29	24	21
10	49	36	28	23	48	35	28	34	27	22	19

*Based on a floor reflectance of 0.2

Zonal Lumen Summary			
Zone	Lumens	%Fixture	%Lamp
0-30	1954	21.1%	21.1%
0-40	3221	34.8%	34.8%
0-60	5855	63.3%	63.3%
0-90	8366	90.5%	90.5%
90-130	817	8.8%	8.8%
90-150	866	9.4%	9.4%
90-180	878	9.5%	9.5%
0-180	9244	100.0%	100.0%

Avg. Luminance (cd/m²)			
	0	45	90
45	17762	13832	13219
55	16925	12477	12149
65	15452	11118	11172
75	12330	9822	10394
85	6076	9016	9873

SDS Selectable Strip LED

4ft & 8ft

Photometric Test List

Catalog No.	Size	Delivered Lumens			Input Watts			Efficacy		
		3500K	4000K	5000K	3500K	4000K	5000K	3500K	4000K	5000K
SDS42448L8CST-UN3-DIM 20W	4'	2669	2696	2723	19.5	19.5	19.5	136.9	138.3	139.6
SDS42448L8CST-UN3-DIM 30W	4'	3800	3841	3882	29.9	29.9	29.9	127.1	128.5	129.8
SDS42448L8CST-UN3-DIM 40W	4'	4931	4986	5041	40.3	40.2	40.2	122.4	124.0	125.4
SDS84998L8CST-UN3-DIM 40W	8'	4914	4964	5014	37.5	37.5	37.5	131.0	132.4	133.7
SDS84998L8CST-UN3-DIM 60W	8'	7028	7104	7179	57.5	57.5	57.5	122.2	123.5	124.9
SDS84998L8CST-UN3-DIM 80W	8'	9142	9244	9345	77.5	77.5	77.5	118.0	119.3	120.6



© 2021 Signify Holding. All rights reserved. The information provided herein is subject to change, without notice. Signify does not give any representation or warranty as to the accuracy or completeness of the information included herein and shall not be liable for any action in reliance thereon. The information presented in this document is not intended as any commercial offer and does not form part of any quotation or contract, unless otherwise agreed by Signify.

Signify North America Corporation
200 Franklin Square Drive,
Somerset, NJ 08873
Telephone 855-486-2216

Signify Canada Ltd.
281 Hillmount Road,
Markham, ON, Canada L6C 2S3
Telephone 800-668-9008

All trademarks are owned by Signify Holding or their respective owners.