

RAB[®]

DESIGN

NS2H-LED25A17

Dusk to Dawn Flood Light



NITE-SENTRY[®]
SECURITY LIGHT



IDEAL APPLICATIONS:

- ✓ Garage Doors
- ✓ Driveways
- ✓ Backyards
- ✓ Commercial Storage Facilities
- ✓ Entrances
- ✓ Perimeters

DESCRIPTION:

The NS2H is a twin head, security flood that is **durable, easy to install, and features versatile controls** to adjust brightness, colour temperature, and photocontrol settings. The NS2H-LED Series is available in **two models (with sensor or without sensor)** and in **two finishes (matte black or white)**.

FEATURES:

Design and Construction:

- Robust die-cast aluminum housing and UV-rated clear polycarbonate lens.
- Integrated visor shields to reduce glare and light trespass.
- Fully adjustable heads to direct light where needed.
- Mounts to standard round box (4") as well as octagonal recessed junction box.

Performance:

- Fixture delivers a high light output of up to 3300 lumens and efficacy of over 130 lumens per watt.

Tool less Controls:

- Easy to use controls: adjust brightness, colour temperature and photocontrol settings of the fixture. (refer pg. 3 for more details)
- Colour selectable twin head lights: choose 3000K, 4000K, or 5000K using the control dial.
- Integrated photocell for dusk-to-dawn operation.

Easy-to-Install:

- Fixture can be hung on the mounting bracket using aircraft cable, allowing the installer to complete wiring easily, quickly and safely.
- Closed-back fixture design with an included gasket ensures advanced protection against snow, water, and dust. The included gasket facilitates to seal the gap between the fixture and the junction box.

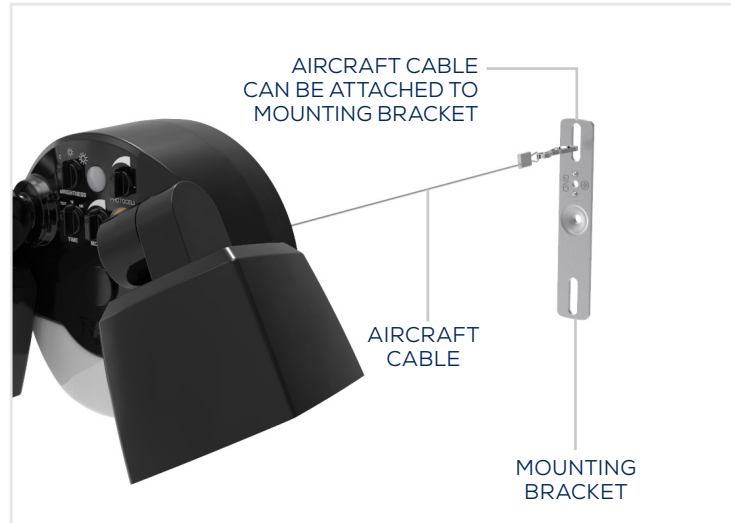
SPECIFICATIONS

Watts	25W Max, 17W Min
Lumens	3300 Max, 2200 Min
Efficacy	130 lm/W
Voltage	120V
Colour Temp.	Selectable (3000K/4000K/5000K)
CRI	80
Total Harmonic Distortion	< 15%
Power Factor	> 0.99
Surge Protection	2kV
Beam Angle	100°
LED Life (L70)	50,000 hours
Finish	Matte Black, White
Housing Details	Die cast aluminum
Lens Details	Clear polycarbonate lens, ultraviolet light resistant, suitable for outdoor use
Mounting	Wall mount or eave mount
Operating Temp.	-40°C to +50°C (-40°F to 122°F)
Certifications	cULus certified as per UL1598 & CSA C22.2 NO. 250.0-21, Wet Location, IP65, 5 Year Warranty



INSTALLER FRIENDLY DESIGN:

- Fixture can be hung on the mounting bracket using aircraft cable, allowing the Installer to complete wiring easily, quickly and safely.
- Package includes mounting hardware and wire connectors required for installation.
- Lightweight fixture: only one mounting bracket is required to complete the installation.
- Mounts to standard round box (4") and octagonal recessed junction box.

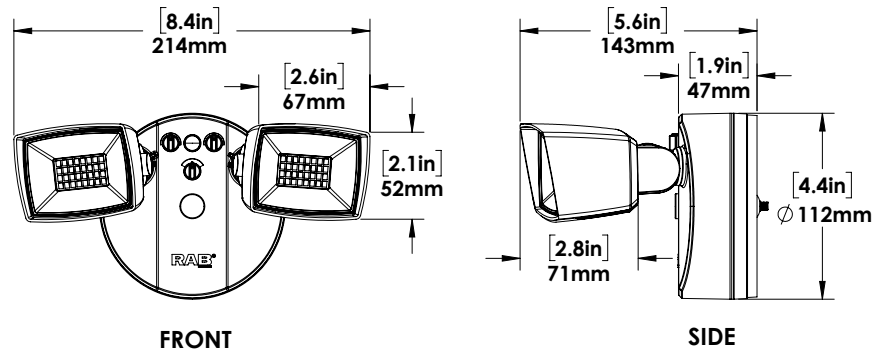


FULLY ADJUSTABLE HEADS:

- Tool-less adjustment of twin heads.
- Heads can be adjusted to direct light where needed.
- Twin heads can be rotated up to 345° and tilted up to 170°.



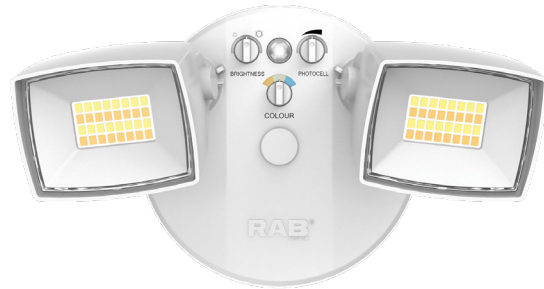
FIXTURE DIMENSIONS:



FINISH OFFERING:



Matte Black
NS2H-LED25A17-A-VK-BLK-PC
Stock code: 087779



White
NS2H-LED25A17-A-VK-WHT-PC
Stock code: 087780

ORDERING GUIDE:

Stock Code	Description	Order Quantity:
087779	NS2H-LED25A17-A-VK-BLK-PC	
087780	NS2H-LED25A17-A-VK-WHT-PC	

SEE ALSO:

The NS2H-LED is also available with an accent light and integrated motion sensor:



CLICK HERE TO LEARN MORE