

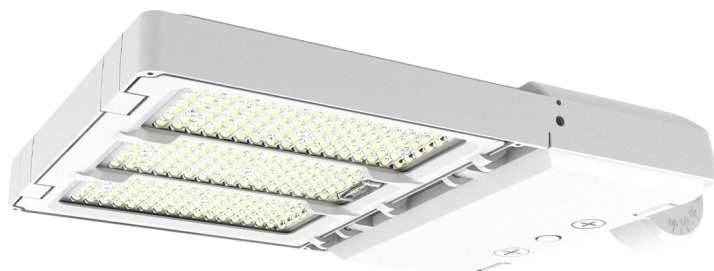
# FL05 Flood / Area Light

100W / 125W / 150W | 3CCT | 120-347V

**FLEX**  
FL05 FLOOD / AREA LIGHTS

Flood / Area lighting has never been easier with all the features you will ever need in one sleek, attractive package. Stocked in Black, Bronze, and White for quick shipping!

**PRODUCT CODES:** FL05-150W-3P-3CCT-UD-BK, FL05-150W-3P-3CCT-UD-BZ, FL05-150W-3P-3CCT-UD-WH



Mounting Sold Separately  
see reverse for mounting options

Available in Black (BK), Bronze (BZ), or White (WH) Finishes

Power Selectable  
100W / 125W / 150W

Colour Selectable  
3000K / 4000K / 5000K

120-347V Universal Driver  
0-10V dimming

Rugged Die Cast  
Aluminum Housing

Photocell and Sensor Compatible

Easy Field Interchangeable  
Optics (Sold Separately)



## TECHNICAL DATA



### LIGHT SPECIFICATIONS

Efficacy	125.75 lm/W
CCT	3000K/4000K/5000K
CRI	84
Distribution	Type III
Dimmable	0-10V
L70 Life	50,000 hrs
Warranty	10-year

LUMEN OUTPUT			
	3000K	4000K	5000K
100W	13838 lm	14839 lm	14442 lm
125W	16320 lm	17789 lm	17121 lm
150W	20635 lm	20618 lm	19583 lm

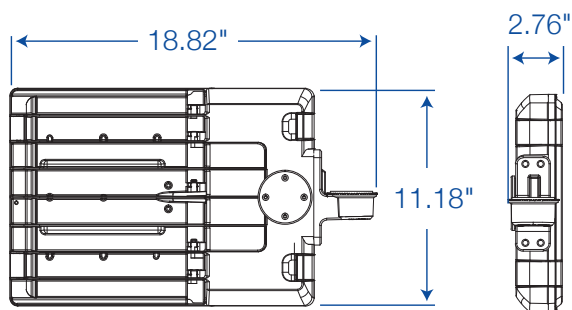
### APPROVALS & LISTINGS

cUL	E495046
DLC Premium	S-B0RLKJ, S-RX7ZKG

### DIMENSIONS AND WEIGHTS

Fixture Weight	10.12 lbs
Fixture Dimensions	18.8 x 2.8 x 11.2 in
Carton Qty	1
Carton Weight	11.88 lbs
Carton Dimensions	20.47 x 4.84 x 13.15 in

### DIMENSIONAL DRAWINGS (IN)



### ELECTRICAL

Wattage	100W/125W/150W
Voltage	120-347V
Current	1.5A
Surge Protection	10kV
Auxiliary Output	12V
Power Factor	0.9
THD	15%
Operating Temp	-40 to 45°C

### CONSTRUCTION

Cord Whip	78.74"
Housing	Die-Cast Aluminum
Lens	Polycarbonate
Finish	Powder Coated
Finish Colour	Black / Bronze / White
IP Rating	IP65

### ACCESSORIES\* (Sold Separately)

Slip Fitter	FL-SF01-XX
Fixed Mount	FL-FM01-XX
Multi Mount	FL-MM01-XX
Pole Mount	FL-PM01-XX
Trunnion Mount	FL-TR01-XX
Yoke Mount	FL-YM01-SM-XX
Microwave Motion Sensor	MS04-MW-TW-DC
PIR Motion Sensor	MS01-PIR-TW-DC
Motion Sensor Remote	MS04-RC
Type II Lens	FL-TYPE-II-SM
Type IV Lens	FL-TYPE-IV-SM
Type V Lens	FL-TYPE-V-SM
Visor	FL-VISOR01-SM-XX
Photocell (120-277V)	JL-205LV
Photocell (347V)	JL-207E
Photocell Receptacle**	JL-200
Shorting Cap	JL-208

\*Where XX Denotes Finish Colour - BK, BZ, or WH

\*\*Photocell Receptacle is REQUIRED for use with Photocell

## MOUNTING OPTIONS (SOLD SEPARATELY)



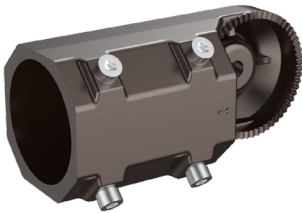
### Trunnion Mount

FL-TR01-BK  
FL-TR01-BZ  
FL-TR01-WH



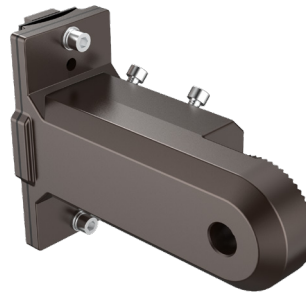
### Fixed Mount

FL-FM01-BK  
FL-FM01-BZ  
FL-FM01-WH



### Slip Fitter

FL-SF01-BK  
FL-SF01-BZ  
FL-SF01-WH



### Multi Mount

FL-MM01-BK  
FL-MM01-BZ  
FL-MM01-WH



### Yoke Mount

FL-YM01-SM-BK  
FL-YM01-SM-BZ  
FL-YM01-SM-WH



### Pole Mount

FL-PM01-BK  
FL-PM01-BZ  
FL-PM01-WH

\*Where XX Denotes Finish Colour - BK, BZ, or WH



FL05 Flood Light pictured  
**without mount**



FL05 Flood Light pictured  
with optional **Trunnion Mount**

HEAD OFFICE: 8 - 540 Jamieson Pkwy, Cambridge, ON, N3C 0G5 | [orders@csc-led.com](mailto:orders@csc-led.com) | (519) 880 - 9833