

## Individual Spec Sheet

# L2SSS

## LED SLIM STRIP

### Classic Round Lens Design

#### ORDERING INFORMATION

<b>Order code:</b>	69041
<b>Model number:</b>	L2SSS-24LS1-Q/40K
<b>UPC:</b>	069549023680
<b>Case quantity:</b>	9
<b>DLC unique ID:</b>	S-Z4D8E0 (DLC Premium) / S-R6Q9BG (DLC Standard)

#### PHYSICAL DATA

<b>Length in (cm):</b>	22 1/4 (56.40)
<b>Lens material:</b>	Frosted PMMA
<b>Housing material:</b>	24 gauge white powder painted steel
<b>Mounting:</b>	Surface, suspended or row mounted (V-Hooks and junction box cover included)

#### PERFORMANCE DATA

<b>Watts (W):</b>	20
<b>Volts (V AC):</b>	120-347
<b>Color temperature (K)<sup>1</sup>:</b>	4 000
<b>Lumen output (lm)<sup>2</sup>:</b>	2 620
<b>Efficacy (lm/W):</b>	131
<b>CRI:</b>	80+
<b>Life L70 (h)<sup>3</sup>:</b>	186 000
<b>Tested LM-80 (h)<sup>3</sup>:</b>	9 000
<b>Dimming:</b>	0-10 V
<b>Power factor:</b>	0.90
<b>THD (%):</b>	10
<b>Frequency (Hz):</b>	50/60
<b>Surge protection (kV):</b>	2.5
<b>Input current (A):</b>	0.17-0.06
<b>Operating temp. range:</b>	-20°C to 50°C (-4°F to 122°F)

<sup>1</sup> Typical color temperature range: +/- 5 %.

<sup>2</sup> Lumen values are derived from photometric testing. Initial lumens range: +/- 10 %.

<sup>3</sup> Life hours are derived from IESNA LM80-08 testing report and projected per IESNA TM-21-11 extrapolations.

#### ACCESSORIES (order separately)

Order code	Type
69328	V-Hooks (set of 2)
68676	Suspension kit - 2 chains (1 m) <sup>1</sup>
69082	10' Aviation cable kit with canopy, power cord & dimming wires
69068	Continuous row mounting connector
69069	External mount PIR motion sensor (120-277 V only)
69080	Remote control for PIR motion sensor
68685	Wireguard kit 24"
68682	Replacement lens 24"

<sup>1</sup> Must be used in conjunction with 69328.

This lighting equipment meets requirements of ICES-005 issue 5 class A for use in commercial applications. Data is based upon tests performed in a controlled environment. Actual performance can vary depending on operating conditions. Specifications are subject to change without notice.



quick  
ship



LED  
fixture



dimmable  
fixture



damp  
location



ICES  
005



Not all products are qualified on the DLC QPL. To view our DLC qualified products, please consult the DLC Qualified Products List at [www.designlights.org/search](http://www.designlights.org/search).

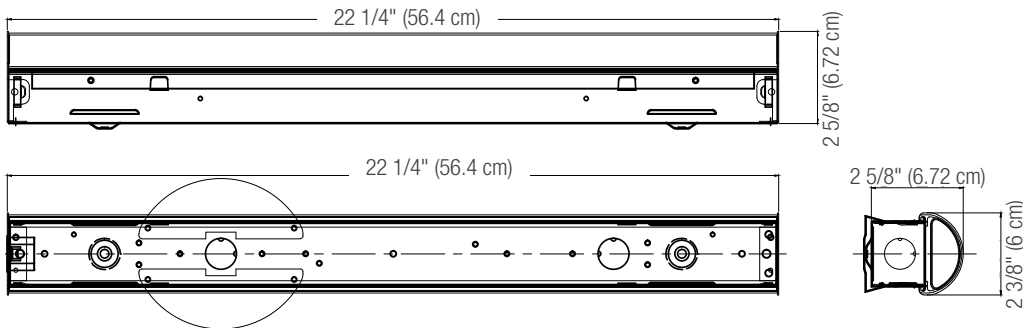
**COMPATIBLE DIMMERS<sup>1</sup>**

Brand	Model
Leviton	IllumaTech IP710-LFZ
	IllumaTech IP710-DLZ
	IllumaTech IP710-DOZ
	Decora DS710-10Z
Lutron	Nova T NTSTV-DV
	Nova NFTV
	Diva DDTV-WH
Legrand	RH4FBL3PW

Dimming range: 10%-100%

<sup>1</sup>This table shows dimmers that have been tested and have demonstrated proper operation under normal conditions. Each installation being unique, various factors such as load, common neutrals or other electrical products on the circuit can, in certain instances, cause variance in system performance. Read and comply to the dimmer installation instructions. Consult dimming system manufacturer for additional support in operation. Some dimmers may require more than one product for stable operation. Stanpro recommends to use dimmers designed to work with LED products. Older dimmers designed for incandescent products may cause erratic operation.

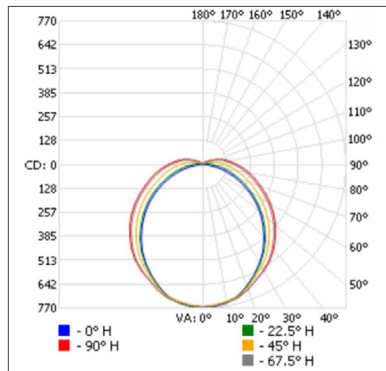
**DIMENSIONS**



**PHOTOMETRIC DATA<sup>1</sup>**

69041 • L2SSS-24LS1-Q/40K • 2 618.3 lm

**Polar candela distribution**



**Zonal lumen summary**

Zone	Lumens	% Fixture
0-30	586.3	22.4
0-40	959.1	36.6
0-60	1 714.0	65.5
60-90	683.0	26.1
70-100	478.8	18.3
90-120	186.5	7.1
0-90	2 397.0	91.5
90-180	221.3	8.5
0-180	2 618.3	100

**Illuminance at a distance**

Center beam fc		Beam width	
1.7'	264	4.3'	6.9'
3.3'	70.0	8.4'	13.4'
5.0'	30.5	12.7'	20.3'
6.7'	17.0	17.1'	27.2'
8.3'	11.1	21.1'	33.7'
10.0'	7.62	25.5'	40.6'

■ Vert. spread: 103.7°  
■ Horiz. spread: 127.5°

<sup>1</sup> Complete IES files available on our website.

Qty	Description	Price

I accept the specifications of the luminaire configuration mentioned above.

Name: \_\_\_\_\_  
 Company: \_\_\_\_\_  
 Signature: \_\_\_\_\_

Date: \_\_\_\_\_

Data is based upon tests performed in a controlled environment. Actual performance can vary depending on operating conditions. All products are subject to change or may be discontinued any time without notice.