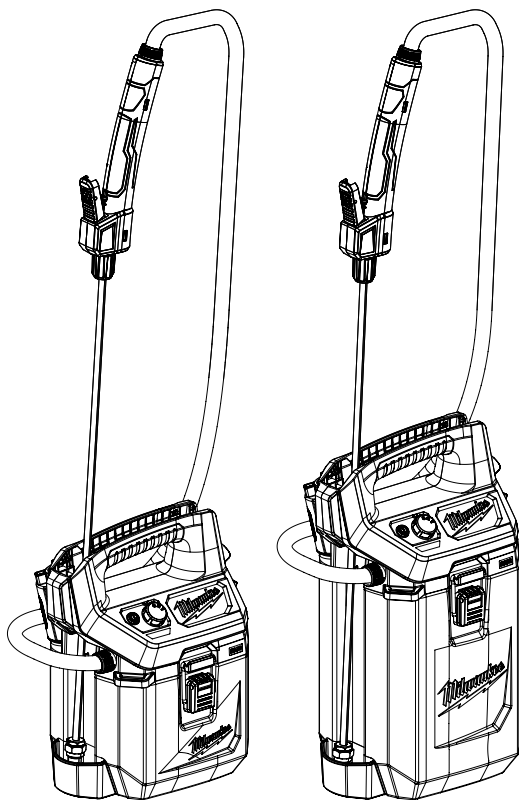




OPERATOR'S MANUAL
MANUEL de L'UTILISATEUR
MANUAL del OPERADOR



Cat. No. / No de cat.
2528-20, 49-16-2761, 49-16-2762

M12™ 1-GALLON & 2-GALLON HANDHELD SPRAYER
PULVÉRISATEUR MANUEL M12™ 3,8 L (1 GAL) ET 7,6 L (2 GAL)
ATOMIZADOR MANUAL M12™ 3,8 L (1 GAL) Y 7,6 L (2 GAL)



WARNING To reduce the risk of injury, user must read and understand operator's manual.

AVERTISSEMENT Afin de réduire le risque de blessures, l'utilisateur doit lire et bien comprendre le manuel.

ADVERTENCIA Para reducir el riesgo de lesiones, el usuario debe leer y entender el manual.

IMPORTANT SAFETY INSTRUCTIONS

WARNING Read all safety warnings, instructions, illustrations and specifications provided with this power tool. Failure to follow all instructions listed below may result in electric shock, fire and/or serious injury. **Save all warnings and instructions for future reference.** The term "power tool" in the warnings refers to your mains-operated (corded) power tool or battery-operated (cordless) power tool.

WORK AREA SAFETY

- **Keep work area clean and well lit.** Cluttered or dark areas invite accidents.
- **Do not operate power tools in explosive atmospheres, such as in the presence of flammable liquids, gases or dust.** Power tools create sparks which may ignite the dust or fumes.
- **Keep children and bystanders away while operating a power tool.** Distractions can cause you to lose control.

ELECTRICAL SAFETY

- **Avoid body contact with earthed or grounded surfaces, such as pipes, radiators, ranges and refrigerators.** There is an increased risk of electric shock if your body is earthed or grounded.
- **Do not expose power tools to rain or wet conditions.** Water entering a power tool will increase the risk of electric shock.
- **Outdoor use. Do not expose to rain; store indoors.**

PERSONAL SAFETY

- **Stay alert, watch what you are doing and use common sense when operating a power tool. Do not use a power tool while you are tired or under the influence of drugs, alcohol or medication.** A moment of inattention while operating power tools may result in serious personal injury.
- **Use personal protective equipment. Always wear eye protection.** Protective equipment such as a dust mask, non-skid safety shoes, hard hat or hearing protection used for appropriate conditions will reduce personal injuries.
- **Prevent unintentional starting. Ensure the switch is in the off-position before connecting to power source and/or battery pack, picking up or carrying the tool.** Carrying power tools with your finger on the switch or energizing power tools that have the switch on invites accidents.
- **Do not overreach. Keep proper footing and balance at all times.** This enables better control of the power tool in unexpected situations.
- **Dress properly. Do not wear loose clothing or jewelry. Keep your hair and clothing away from moving parts.** Loose clothes, jewelry or long hair can be caught in moving parts.
- **Do not let familiarity gained from frequent use of tools allow you to become complacent and ignore tool safety principles.** A careless action can cause severe injury within a fraction of a second.

POWER TOOL USE AND CARE

- **Do not force the power tool. Use the correct power tool for your application.** The correct power tool will do the job better and safer at the rate for which it was designed.
- **Do not use the power tool if the switch does not turn it on and off.** Any power tool that cannot be controlled with the switch is dangerous and must be repaired.
- **Disconnect the plug from the power source and/or remove the battery pack, if detachable, from the power tool before making any adjustments, changing accessories, or storing power tools.** Such preventive safety measures reduce the risk of starting the power tool accidentally.
- **Store idle power tools out of the reach of children and do not allow persons unfamiliar with the power tool or these instructions to operate the power tool.** Power tools are dangerous in the hands of untrained users.
- **Maintain power tools and accessories. Check for misalignment or binding of moving parts, breakage of parts and any other condition that may affect the power tool's operation.**
- **Use the power tool, accessories and tool bits etc. in accordance with these instructions, taking into account the working conditions and the work to be performed.** Use of the power tool for operations different from those intended could result in a hazardous situation.
- **Keep handles and grasping surfaces dry, clean and free from oil and grease.** Slippery handles and grasping surfaces do not allow for safe handling and control of the tool in unexpected situations.

BATTERY TOOL USE AND CARE

- **Recharge only with the charger specified by the manufacturer.** A charger that is suitable for one type of battery pack may create a risk of fire when used with another battery pack.
- **Use power tools only with specifically designated battery packs.** Use of any other battery packs may create a risk of injury and fire.
- **When battery pack is not in use, keep it away from other metal objects, like paper clips, coins, keys, nails, screws or other small metal objects, that can make a connection from one terminal to another.** Shorting the battery terminals together may cause burns or a fire.
- **Under abusive conditions, liquid may be ejected from the battery; avoid contact. If contact accidentally occurs, flush with water. If liquid contacts eyes, additionally seek medical help.** Liquid ejected from the battery may cause irritation or burns.
- **Do not use a battery pack or tool that is damaged or modified.** Damaged or modified batteries may exhibit unpredictable behavior resulting in fire, explosion or risk of injury.
- **Do not expose a battery pack or tool to fire or excessive temperature.** Exposure to fire or temperature above 265°F (130°C) may cause explosion.
- **Follow all charging instructions and do not charge the battery pack or tool outside the temperature range specified in the instructions.** Charging improperly or at temperatures outside the specified range may damage the battery and increase the risk of fire.

SERVICE

- Have your power tool serviced by a qualified repair person using only identical replacement parts. This will ensure that the safety of the power tool is maintained.
- Never service damaged battery packs. Service of battery packs should only be performed by the manufacturer or authorized service providers.

SPECIFIC SAFETY RULES FOR HANDHELD SPRAYERS

- AWARNING** Risk of fire or explosion. Do not use flammable liquids such as gasoline, solvents, or gas-producing chemicals. Do not use tool around spark, flame, or smoke. Chemical may ignite.
- These products are suitable for pesticide applications (such as insecticides, fungicides, or herbicides), fertilizers, and water supply applications, when used in accordance with these instructions and those supplied with the chemicals.
- Do not use bleach, caustic (alkali) self-heating or corrosive (acid) liquids in this sprayer. Do not pour hot or boiling liquids into the tank. These can corrode metal parts, weaken the tank and hose causing a leak.
- Always fill the tank with water first, before adding chemicals.
- To reduce the risk of fire, personal injury, and product damage due to a short circuit, never immerse your tool, battery pack or charger in fluid or allow a fluid to flow inside them. Do not place or store tool where it can fall or be pulled into a tub or sink. Corrosive or conductive fluids, such as seawater, certain industrial chemicals, and bleach or bleach containing products, etc., can cause a short circuit.
- Electric shock hazard. Never spray toward electrical outlets.
- Spray area must be well ventilated to avoid hazardous fumes build-up.
- Avoid spraying on windy days. Spray can be blown onto people, plants, or objects that should not be sprayed.
- Do not store chemicals in the tank. Chemicals can degrade seals and hoses. Drain and clean after each use.
- Remove gloves before handling battery packs. Chemicals are harmful to plastics.
- Maintain your power tool. Thoroughly inspect inside and outside and examine all components before each use. Check for cracked and deteriorated hoses, leaks, clogged nozzles, and missing or damaged parts. If damaged, have the power tool repaired before use. Many accidents are caused by poorly maintained power tools.
- Always unplug the charger and remove the battery pack from the charger or tool before performing any maintenance, storing, or draining the tool. Never disassemble the tool, battery pack or charger. Contact a MILWAUKEE service facility for ALL repairs.
- Do not eat or smoke while handling or operating the tool. After use, wash with hot, soapy water to help reduce the risk of health hazards due to exposure to chemicals.

- Always use common sense and be cautious when using tools. It is not possible to anticipate every situation that could result in a dangerous outcome. Do not use this tool if you do not understand these operating instructions or you feel the work is beyond your capability; contact Milwaukee Tool or a trained professional for additional information or training.
- Maintain labels and nameplates. These carry important information. If unreadable or missing, contact a MILWAUKEE service facility for a free replacement.

- AWARNING** Some dust created by power sanding, sawing, grinding, drilling, and other construction activities contains chemicals known to cause cancer, birth defects or other reproductive harm. Some examples of these chemicals are:
 - lead from lead-based paint
 - crystalline silica from bricks and cement and other masonry products, and
 - arsenic and chromium from chemically-treated lumber.Your risk from these exposures varies, depending on how often you do this type of work. To reduce your exposure to these chemicals: work in a well-ventilated area, and work with approved safety equipment, such as those dust masks that are specially designed to filter out microscopic particles.

READ AND SAVE ALL INSTRUCTIONS FOR FUTURE USE

FOR HOUSEHOLD USE.

SYMBOLOLOGY



Volts



Direct Current



Read operator's manual



Wear personal protective equipment (PPE) according to the chemical manufacturer's instructions.



Wear eye protection



Wear gloves

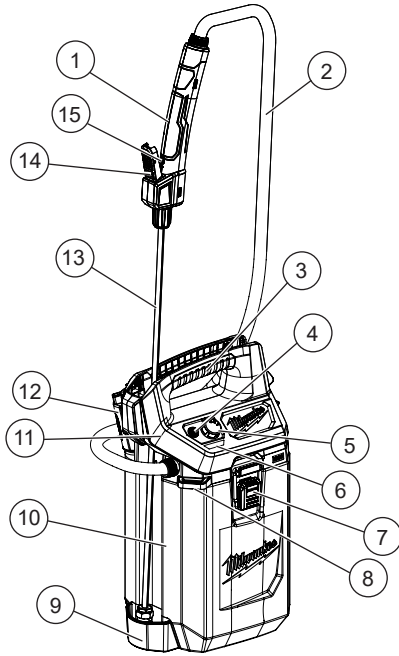


Do not use flammable liquids



UL Listing for Canada and U.S.

FUNCTIONAL DESCRIPTION



- | | |
|---------------------------|----------------------------------|
| 1. Trigger handle | 9. Wand storage pocket |
| 2. Hose | 10. Tank |
| 3. Carry handle | 11. Powered head |
| 4. Power button | 12. Fill/measuring cup (on back) |
| 5. Flow rate dial | 13. Spray wand |
| 6. Fuel gauge | 14. Trigger |
| 7. Tank latches | 15. Trigger lock-off |
| 8. Shoulder strap anchors | |

SPECIFICATIONS

Cat. No.	2528-20
Volts.....	12 DC
Battery Type	M12™
Charger Type.....	M12™
1 Gal. Tank Cat. No.	49-16-2761
2 Gal. Tank Cat. No.	49-16-2762
Flow Rate	0.1 to 0.3 GPM
Full Weight (1 Gallon).....	16 lbs
Full Weight (2 Gallon).....	25 lbs
Recommended Ambient Operating Temperature.....	32°F to 125°F

ASSEMBLY

⚠WARNING Recharge only with the charger specified for the battery. For specific charging instructions, read the operator's manual supplied with your charger and battery.

Removing/Inserting the Battery

To **remove** the battery, push in the release buttons and pull the battery pack away from the tool.

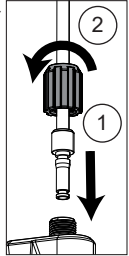
⚠WARNING Always lock the trigger or remove the battery pack any time the tool is not in use.

To **insert** the battery, slide the pack into the body of the tool. Make sure it latches securely into place.

⚠WARNING Only use accessories specifically recommended for this tool. Others may be hazardous.

Connecting the Spray Wand to the Trigger Handle

1. Insert the spray wand into the trigger handle until firmly seated.
2. Slide the nut onto the threaded coupling and hand tighten securely.
3. Pull on the spray wand to be certain it is properly secured.
4. Place the assembled trigger handle back into the wand storage pocket.



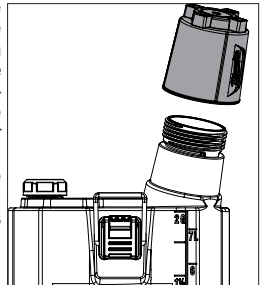
Connecting the Nozzles

Select and screw on nozzle by job type. When using the adjustable nozzle, adjust spray pattern as desired by tightening/loosening the nozzle.

Filling the Tank

⚠WARNING Remove powered head from tank before filling or cleaning. Follow chemical manufacturer's instructions for mixing, use, and handling of chemicals. Always fill the tank with water first, before adding chemicals.

1. Remove battery pack.
2. Remove the tank from the powered head and set on a level surface away from the powered head to prevent exposing to harsh chemicals.
3. Unscrew and remove the tank cap; ensure strainer is seated in opening. A removable strainer prevents debris from entering the tank that can clog or damage the pump.
4. Fill the tank. Use the volume markings on the side of the tank as a guide.
5. Reinstall the tank cap.
6. Reinstall the tank.
7. Label tank contents accordingly during each use. Only put recommended liquids in tank.



Installing the Tank

1. Remove battery pack.
2. Secure tank to the powered head with front and back tank latches; ensuring the powered head is firmly seated, and all seals are aligned.

OPERATION

⚠WARNING To reduce the risk of injury, always wear personal protective equipment (PPE) according to the chemical manufacturer's instructions. Always wear proper eye protection marked to comply with ANSI Z87.1.

Fuel Gauge

To determine the amount of charge left in the battery, turn the tool **ON**. The Fuel Gauge will light up for 2-3 seconds. When less than 10% of charge is left, 1 light on the fuel gauge will flash 4 times.

To signal the end of charge, 1 light on the fuel gauge will flash 8 times and the tool will not run. Charge the battery pack.

If the battery becomes too hot, the fuel gauge lights will flash and the tool will not run. Allow the battery to cool down.

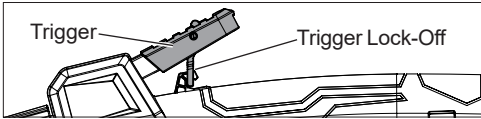
Adjusting the Flow Rate

Select the desired flow from Low (1) to High (3), depending on the job and the chemical manufacturer's instructions.

Setting	Flow Rate	Pressure
1	0.1 GPM	Low
2	0.2 GPM	Medium
3	0.3 GPM	High

Trigger Lock-Off

To avoid accidental spraying, engage the trigger lock-off.



1. Push down the lock-off at the end of the trigger.
2. Hook the lock-off tab under the trigger.
3. To release, push the lock-off tab back into the trigger, and unhook.

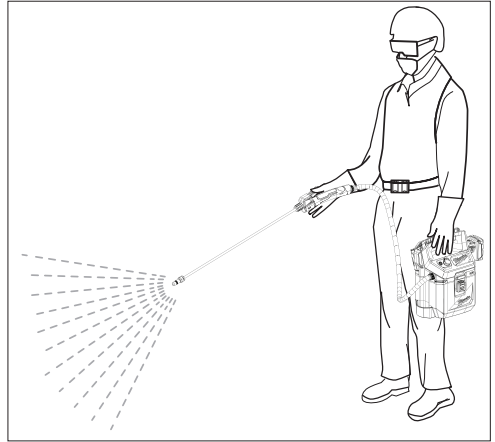
Turning the Sprayer ON/OFF

1. Before turning **ON**, check for any leaks around tank, spray wand, hose, and other components before use.
2. To turn the sprayer **ON**, press the power button.
3. To start the flow of liquid at the spray wand, press the trigger. The sprayer may be operated with trigger handle attached to carrying handle.
4. To stop the flow of liquid at the spray wand, release the trigger.
5. To turn the sprayer **OFF**, press the power button again.

NOTE: Be aware some spray material may remain inside the spray wand and drip out. To drain, turn off the tool, then pull the trigger and point the tool down until dripping stops.

Spraying

- Pull the trigger and begin sweeping the nozzle from side to side, coating the desired surface evenly in accordance with chemical manufacturer's instructions.



NOTE: Make sure to stand far enough from the object being sprayed to prevent the spray from splashing back onto you.

- Always empty, clean, and drain the tank after every use as directed in the Maintenance section.
- Thoroughly clean the sprayer before storing or before switching to a different chemical.
- When you are finished with the sprayer, thoroughly wash your hands and any area where skin has been exposed to the spray.

⚠WARNING Before using any chemicals and/or solutions, read and follow all original manufacturer instructions. Read all Safety Data Sheets (SDS) and container labels provided with the chemical. Chemicals can cause serious bodily injury, and/or property damage. Wear personal protective equipment (PPE) according to the chemical manufacturer's instructions. Always wear eye protection.

MAINTENANCE

Maintaining Tool

Keep your tool, battery pack and charger in good repair by adopting a regular maintenance program. Inspect your tool for issues such as undue noise, misalignment or binding of moving parts, breakage of parts, or any other condition that may affect the tool operation. Return the tool, battery pack, and charger to a MILWAUKEE service facility for repair. After six months to one year, depending on use, return the tool, battery pack and charger to a MILWAUKEE service facility for inspection.

If the tool does not start or operate at full power with a fully charged battery pack, clean the contacts on the battery pack. If the tool still does not work properly, return the tool, charger and battery pack, to a MILWAUKEE service facility for repairs.

▲WARNING To reduce the risk of personal injury and damage, never immerse your tool, battery pack or charger in liquid or allow a liquid to flow inside them. Do not use bleach as a cleaning agent.

Cleaning

Clean dust and debris from any vents. Keep tool clean, dry and free of oil or grease. Use only mild soap and a damp cloth to clean, since certain cleaning agents and solvents are harmful to plastics and other insulated parts. Some of these include gasoline, turpentine, lacquer thinner, paint thinner, chlorinated cleaning solvents, ammonia and household detergents containing ammonia. Never use flammable or combustible solvents around tools.

Draining and Cleaning the Tank, Hose, and Spray Wand

If there is any liquid left in the tank after spraying, the tank should be drained before cleaning. Do not store chemicals in the tank. Tank must be cleaned before using another liquid. Do not mix liquids. Follow the chemical manufacturer's instructions for proper cleaning, storage and/or disposal of excess liquid.

To Drain:

1. Remove battery pack.
2. Remove the powered head from tank.
3. Empty the tank into a suitable container through the fill area. **WARNING!** Always wear personal protective equipment (PPE) according to the chemical manufacturer's instructions. Always wear eye protection.

To Clean:

1. Remove battery pack.
2. Remove the powered head from tank and set on a level surface away from the tank to prevent exposing the powered head to harsh chemicals.
3. Fill the tank about one-third full with clean water. Replace the cap and gently slosh the water around the tank.
4. Install the tank and spray the water until the tank has been emptied. Make sure to direct the spray toward an area that will not be damaged by residue chemicals in the tank.
5. Repeat the procedure with clean water until the tank is thoroughly clean. Wash outside of nozzles and dry with cloth.
6. Wipe the outside of the tank with a clean, dry cloth.
7. Allow all pieces to completely dry before reinstalling parts and storing the sprayer. Always reinsert strainer before replacing tank cap.

Storage

Protect from freezing, store indoors. Store spray wand securely in wand storage pocket. Store the sprayer in a secure, well-ventilated indoor space with the tank empty.

Repairs

For repairs, return the tool, battery pack and charger to the nearest authorized service center.

ACCESSORIES

▲WARNING Use only recommended accessories. Others may be hazardous.

For a complete listing of accessories, go online to www.milwaukeetool.com or contact a distributor.

SERVICE - UNITED STATES

1-800-SAWDUST (1.800.729.3878)

Monday-Friday, 7:00 AM - 6:30 PM CST

or visit www.milwaukeetool.com

Contact Corporate After Sales Service Technical Support with technical, service/repair, or warranty questions.

Email: metproductsupport@milwaukeetool.com

Become a Heavy Duty Club Member at www.milwaukeetool.com to receive important notifications regarding your tool purchases.

SERVICE - CANADA

Milwaukee Tool (Canada) Ltd

1.800.268.4015

Monday-Friday, 7:00 AM - 4:30 PM CST

or visit www.milwaukeetool.ca

LIMITED WARRANTY USA & CANADA

Every MILWAUKEE Outdoor Power Equipment Product* (see exceptions below) is warranted to the original purchaser only to be free from defects in material and workmanship. Subject to certain exceptions, MILWAUKEE will repair or replace any part on an outdoor power equipment product which, after examination, is determined by MILWAUKEE to be defective in material or workmanship for a period of three (3) years** after the date of purchase unless otherwise noted. Return of the outdoor power equipment to a MILWAUKEE factory Service Center location or participating MILWAUKEE Authorized Service Station, freight prepaid and insured, is required. A copy of the proof of purchase should be included with the return product. This warranty does not apply to damage that MILWAUKEE determines to be from repairs made or attempted by anyone other than MILWAUKEE authorized personnel, misuse, alterations, abuse, normal wear and tear, lack of maintenance, or accidents.

Normal Wear: Many outdoor power equipment products need periodic parts replacement and service to achieve best performance. This warranty does not cover repair when normal use has exhausted the life of a part including, but not limited to mower blades, trimmer head, trimmer head spool, cutting lines, blades, chains, blower tubes, brushes, o-rings, and seals.

*This warranty does not cover Cordless Battery Packs or Reconditioned Product. There are separate and distinct warranties available for these products.

**The warranty period for SWITCH TANK™ tank assemblies, hoses, handles, and wands are one (1) year from the date of purchase. MILWAUKEE does not cover freight or labor charges associated with the inspection and testing of outdoor power equipment products which are found by MILWAUKEE not to be a valid warranty claim. A valid warranty claim must be substantiated by the discovery of defective material or workmanship by MILWAUKEE.

ACCEPTANCE OF THE EXCLUSIVE REPAIR AND REPLACEMENT REMEDIES DESCRIBED HEREIN IS A CONDITION OF THE CONTRACT FOR THE PURCHASE OF EVERY MILWAUKEE PRODUCT. IF YOU DO NOT AGREE TO THIS CONDITION, YOU SHOULD NOT PURCHASE THE PRODUCT. IN NO EVENT SHALL MILWAUKEE BE LIABLE FOR ANY INCIDENTAL, SPECIAL, CONSEQUENTIAL OR PUNITIVE DAMAGES, OR FOR ANY COSTS, ATTORNEY FEES, EXPENSES, LOSSES OR DELAYS ALLEGED TO BE AS A CONSEQUENCE OF ANY DAMAGE TO, FAILURE OF, OR DEFECT IN ANY PRODUCT INCLUDING, BUT NOT LIMITED TO, ANY CLAIMS FOR LOSS OF PROFITS. SOME STATES DO NOT ALLOW THE EXCLUSION OR LIMITATION OF INCIDENTAL OR CONSEQUENTIAL DAMAGES, SO THE ABOVE LIMITATION OR EXCLUSION MAY NOT APPLY TO YOU. THIS WARRANTY IS EXCLUSIVE AND IN LIEU OF ALL OTHER EXPRESS WARRANTIES, WRITTEN OR ORAL, TO THE EXTENT PERMITTED BY LAW. MILWAUKEE DISCLAIMS ANY IMPLIED WARRANTIES, INCLUDING WITHOUT LIMITATION ANY IMPLIED WARRANTY OF MERCHANTABILITY OR FITNESS FOR A PARTICULAR USE OR PURPOSE; TO THE EXTENT SUCH DISCLAIMER IS NOT PERMITTED BY LAW, SUCH IMPLIED WARRANTIES ARE LIMITED TO THE DURATION OF THE APPLICABLE EXPRESS WARRANTY AS DESCRIBED ABOVE. SOME STATES DO NOT ALLOW LIMITATIONS ON HOW LONG AN IMPLIED WARRANTY LASTS, SO THE ABOVE LIMITATION MAY NOT APPLY TO YOU. THIS WARRANTY GIVES YOU SPECIFIC LEGAL RIGHTS, AND YOU MAY ALSO HAVE OTHER RIGHTS WHICH VARY FROM STATE TO STATE.

This warranty applies to product sold in the U.S.A. and Canada only. Please consult the 'Service Center Search' in the Parts & Service section of MILWAUKEE's website www.milwaukeeetool.com or call 1.800.SAWDUST (1.800.729.3878) to locate your nearest service facility for warranty and non-warranty service on a Milwaukee electric power tool.

INSTRUCTIONS IMPORTANTES CONCERNANT LA SECURITE

⚠️ ADVERTENCIA Consulter tous les avertissements et toutes les instructions, les illustrations et les précisions fournis avec cet outil électrique. Ne pas suivre l'ensemble des instructions décrites ci-dessous peut entraîner une électrocution, un incendie ou des blessures graves. **Conserv**er tous les avertissements et toutes les instructions pour référence ultérieure. Le terme « outil électrique », utilisé dans tous les avertissements, désigne tout outil fonctionnant sur secteur (câblé) ou sur batteries (sans fil).

SÉCURITÉ DU LIEU DE TRAVAIL

- **Garder le lieu de travail propre et bien éclairé.** Le désordre et le manque de lumière favorisent les accidents.
- **Ne pas utiliser d'outils électriques dans des atmosphères explosives, par exemple en présence de liquides, gaz ou poussières inflammables.** Les outils électriques produisent des étincelles risquant d'enflammer les poussières ou vapeurs.
- **S'assurer que les enfants et les curieux se trouvent à une bonne distance au moment d'utiliser ce produit.** Les distractions peuvent causer une perte de contrôle.

SÉCURITÉ ÉLECTRIQUE

- **Éviter tout contact avec des surfaces mises à la terre comme des tuyaux, des radiateurs, des cuisinières et des réfrigérateurs.** Le risque de choc électrique est accru lorsque le corps est mis à la terre.
- **Ne pas exposer les outils électriques à l'eau ou l'humidité.** La pénétration d'eau dans ces outils accroît le risque de choc électrique.
- **Utilisation à l'extérieur. Ne pas exposer l'outil à la pluie ; l'entreposer à l'intérieur.**

SÉCURITÉ PERSONNELLE

- **Rester attentif, prêter attention au travail et faire preuve de bon sens lors de l'utilisation de tout outil électrique. Ne pas utiliser cet appareil en cas de fatigue ou sous l'influence de l'alcool, de drogues ou de médicaments.** Un moment d'inattention pendant l'utilisation d'un outil électrique peut entraîner des blessures graves.
- **Porter l'équipement de protection individuel requis. Toujours porter une protection oculaire.** Selon les conditions, porter aussi un masque anti-poussières, des bottes de sécurité antidérapantes, un casque protecteur ou une protection auditive afin de réduire les blessures.

- **Empêcher les démarrages accidentels.** S'assurer que la gâchette est en position d'arrêt avant de brancher l'outil à une source de courant, d'insérer la batterie, de le ramasser ou de le transporter. Le fait de transporter un outil électrique en gardant le doigt sur la gâchette ou de mettre sous tension un outil électrique lorsque la gâchette est en position de marche favorise les accidents.
- **Ne pas travailler hors de portée.** Toujours se tenir bien campé et en équilibre. Une bonne stabilité procure un meilleur contrôle de l'outil électrique en cas d'imprévus.
- **Porter une tenue appropriée.** Ne porter ni vêtements amples, ni bijoux. Garder les cheveux et les vêtements à l'écart des pièces en mouvement. Les vêtements flottants, les bijoux ou les cheveux longs risquent d'être happés par les pièces en mouvement.
- **Ne pas laisser la familiarité avec l'utilisation fréquente de l'outil vous faire sentir content de soi et ignorer les principes fondamentaux de sécurité à propos de l'outil.** Un manque d'attention, même d'une fraction de seconde, pourra entraîner des blessures graves.

UTILISATION ET ENTRETIEN DES OUTILS ÉLECTRIQUES

- **Ne pas forcer l'outil.** Utiliser l'outil approprié pour l'application. Un outil approprié exécutera le travail mieux et de façon moins dangereuse s'il est utilisé dans les limites prévues.
- **Ne pas utiliser l'outil si le commutateur ne permet pas de le mettre en marche ou de l'arrêter.** Tout outil qui ne peut pas être contrôlé par son commutateur est dangereux et doit être réparé.
- **Débrancher l'outil et/ou retirer le bloc de batteries, si possible, avant d'effectuer des réglages, de changer d'accessoire ou d'entreposer l'outil.** Ces mesures de sécurité préventives réduisent les risques de démarrage accidentel de l'outil.
- **Entreposer l'outil électrique hors de la portée des enfants et interdire à quiconque de l'utiliser si la personne ne connaît pas bien le produit ou les instructions.** Les outils sont dangereux dans les mains d'utilisateurs novices.
- **Entretenir les outils électriques et les accessoires.** Vérifier qu'aucune pièce mobile n'est mal alignée ou bloquée, qu'aucune pièce n'est brisée et s'assurer qu'aucun autre problème risque d'affecter le bon fonctionnement de l'outil.
- **Utiliser l'outil électrique, les accessoires, les grains etc. conformément à ces instructions en tenant compte des conditions de travail et de la tâche à effectuer.** L'usage d'un outil électrique pour des applications pour lesquelles il n'est pas conçu peut être dangereux.
- **Garder les poignées et les surfaces de prise sèches, propres et exemptes d'huile ou de graisse.** Les poignées et les surfaces de prise glissantes ne permettent pas le maniement et le contrôle sécuritaires de l'outil dans des situations imprévues.

UTILISATION ET ENTRETIEN DE L'OUTIL À BATTERIE

- **Ne recharger qu'avec le chargeur spécifié par le fabricant.** Un chargeur pouvant convenir à un type de bloc-piles peut entraîner un risque d'incendie lorsqu'il est utilisé avec un autre type de bloc-piles.
- **N'utiliser l'outil électrique qu'avec une batterie recommandée.** L'utilisation de tout autre bloc-piles peut créer un risque de blessures et d'incendie.
- **Lorsque la batterie n'est pas utilisée, la tenir éloignée des objets en métal tels que les trombones, les pièces de monnaie, les clés, les clous, les vis ou d'autres petits objets métalliques qui pourraient connecter les bornes.** Le court-circuitage des bornes d'une batterie peut entraîner des brûlures ou un incendie.
- **Éviter tout contact avec le liquide pouvant être éjecté de la batterie en cas de manutention abusive.** En cas de contact accidentel, rincer immédiatement les parties atteintes avec de l'eau. Si le liquide entre en contact avec les yeux, consulter un médecin. Le liquide s'échappant des batteries peut causer des irritations ou des brûlures.
- **Ne pas utiliser les blocs-piles ni les outils endommagés ou modifiés.** Les batteries endommagées ou modifiées pourront montrer un comportement imprévisible qui entraînera des incendies, des explosions et même de risques de blessures.
- **Ne pas exposer les blocs-piles ni les outils au feu ou de températures excessives.** L'exposition au feu ou des températures excédantes les 130 °C (265 °F) pourront entraîner des explosions.
- **Suivre toutes les consignes de chargement de batteries et charger le bloc-piles ni l'outil selon les températures ambiantes d'utilisation listées dans les consignes.** Le chargement inadéquat ou les températures excessives pourront endommager la batterie.

RÉPARATION

- **Les réparations doivent être confiées à un technicien qualifié, utilisant exclusivement des pièces identiques à celles d'origine.** Le maintien de la sûreté de l'outil électrique sera ainsi assuré.
- **Ne jamais entretenir le bloc-piles endommagés.** L'entretien des blocs-piles ne devra être confié qu'au fabricant ou aux fournisseurs de service autorisés.

RÈGLES DE SÉCURITÉ PARTICULIÈRES POUR PULVÉRISATEUR À MAIN

- **⚠ AVERTISSEMENT** Risque d'incendie ou d'explosion. N'utilisez pas de liquides inflammables tels que de l'essence, des solvants ou des produits chimiques produisant du gaz. N'utilisez pas d'outil autour des étincelles, des flammes ou de la fumée. Le produit chimique peut s'enflammer.
- **Ce produit est approprié pour les applications de pesticides (tels que les insecticides, les fongicides, ou les herbicides), les fertilisants, et les applications d'alimentation en eau, lorsqu'ils sont utilisés selon ces consignes et celles fournies avec les produits chimiques.**

- **N'utilisez pas d'eau de Javel, de liquides caustiques (alcalis) auto-échauffants ou corrosifs (acides) dans ce pulvérisateur. Ne versez pas de liquides chauds ou bouillants dans le réservoir. Ceux-ci peuvent corroder les pièces métalliques, fragiliser le réservoir et le tuyau, provoquant une fuite.**

- **Rempissez toujours le réservoir d'eau d'abord, avant d'ajouter des produits chimiques.**

- **Pour réduire les risques d'incendie, blessures et dommages sur le produit provoqués par des courts-circuits, ne jamais plonger votre outil, bloc-piles ou chargeur dans un fluide et ne pas permettre qu'un fluide entre là-dedans. Ne pas placer ni entreposer l'outil dans un endroit où il peut tomber ou être tiré dans un évier ou une baignoire. Les fluides corrosifs et conducteurs, tels que l'eau de mer, quelques produits chimiques industriels et solutions d'eau de Javel ou d'autres produits ayant de l'hypochlorite, etc., pourront provoquer des courts-circuits.**

- **Risque de décharge électrique. Ne jamais pulvériser en direction d'une prise de courant.**

- **La zone de pulvérisation doit être bien ventilée afin d'éviter l'accumulation de fumées.**

- **Éviter de pulvériser pendant des journées de vent. Le mélange peut être accidentellement soufflé sur les personnes, les plantes et les objets qui ne doivent pas être pulvérisés.**

- **Ne pas entreposer les produits chimiques dans le réservoir. Les produits chimiques pourront dégrader les embouts et les tuyaux. Veuillez les vider et nettoyer après chaque usage.**

- **Retirer ses gants avant de manipuler les bloc-piles. Les produits chimiques nuisent les pièces en plastiques.**

- **Entretien l'outil. Inspecter attentivement l'intérieur et l'extérieur de l'outil ainsi que tous les composants avant chaque usage. Vérifier l'outil pour déceler les tuyaux fendus ou endommagés, les fuites, les gicleurs bouchés et les pièces manquantes ou endommagées. En cas de dommages, faire réparer l'outil avant de l'utiliser. Plusieurs accidents sont causés par des produits mal entretenus.**

- **Toujours débrancher le chargeur et retirer le bloc-piles du chargeur ou de l'outil avant d'entretenir, entreposer ou vider l'outil. Ne jamais démonter l'outil, le bloc-piles ni le chargeur. Pour TOUTE réparation, contacter un centre de service MILWAUKEE.**

- **Ne jamais manger ni fumer pendant l'utilisation ou l'opération de l'outil. Après chaque usage, nettoyer l'outil avec de l'eau savonneuse chaude pour minimiser le risque de dangers pour la santé causés par l'exposition aux produits chimiques.**

- **Toujours faire preuve de bons sens et procéder avec prudence lors de l'utilisation d'outils. C'est impossible de prévoir toutes les situations dont le résultat est dangereux. Ne pas utiliser cet outil si vous ne comprenez pas ces instructions d'opération ou si vous pensez que le travail dépasse votre capacité ; veuillez contacter Milwaukee Tool ou un professionnel formé pour recevoir plus d'information ou formation.**

- **Maintenir en état les étiquettes et les plaques signalétiques.** Des informations importantes y figurent. Si elles sont illisibles ou manquantes, contacter un centre de services et d'entretien MILWAUKEE pour un remplacement gratuit.

- **AVERTISSEMENT** La poussière dégagée par certains matériaux lors du ponçage, sciage, meulage, perçage et autres opérations de construction contient des produits chimiques reconnus pour causer le cancer, des malformations congénitales ou des lésions de l'appareil reproducteur. Voici certains exemples de ces produits chimiques :

- le plomb contenu dans la peinture au plomb
- la silice cristalline contenue dans les briques, le ciment et d'autres produits de maçonnerie, ainsi que
- l'arsenic et le chrome contenus dans le bois de construction traité par produits chimiques.

Le risque présenté par l'exposition à ces produits varie en fonction de la fréquence de ce type de travail. Pour réduire les risques d'exposition à ces produits chimiques, travailler dans un endroit bien aéré et utiliser des équipements de sécurité approuvés tels que les masques antipoussière spécialement conçus pour filtrer les particules microscopiques.

LIRE TOUTES LES INSTRUCTIONS ET LES CONSERVER À DES FINS DE RÉFÉRENCE ULTÉRIEURE

POUR UTILISATION DOMESTIQUE.

PICTOGRAPHIE



Volts



Courant direct



Lire le manuel d'utilisation



Porter de l'équipement de protection (EP) selon les consignes du fabricant du produit chimique.



Porter une protection oculaire.



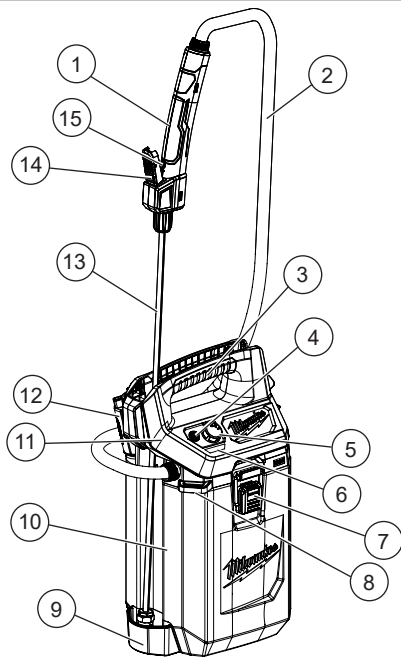
Porter des gants



Ne pas utiliser de liquides inflammables



UL Listing Mark pour Canada et États-unis



- | | |
|-------------------------------------|---|
| 1. Gâchette | 10. Réservoir |
| 2. Tuyau | 11. Tête motorisée |
| 3. Poignée de transport | 12. Tasse à remplir / mesurer (à l'arrière) |
| 4. Bouton d'alimentation | 13. Baguette de pulvérisation |
| 5. Cadran de débit | 14. Déclencheur |
| 6. Jauge de carburant | 15. Verrouillage de la gâchette |
| 7. Loquets de réservoir | |
| 8. Ancrages de bandoulière | |
| 9. Poche de rangement pour baguette | |

SPÉCIFICATIONS

No. de Cat.	2528-20
Volts	12 CD
Type de batterie	M12™
Type de chargeur	M12™
3,8 L Réservoir No. de Cat.	49-16-2761
7,6 L Réservoir No. de Cat.	49-16-2762
Débit	0,4 à 1,1 LPM
Poids total (3,8 L)	7,3 kg (16 lbs)
Poids total (7,6 L)	11,3 kg (25 lbs)
Température ambiante de fonctionnement recommandée	0°C à 50°C (32°F à 125°F)

⚠ AVERTISSEMENT Ne recharger la batterie qu'avec le chargeur spécifié. Pour prendre connaissance des instructions relatives à la charge, lire le manuel d'utilisation fourni avec le chargeur et la batterie.

Insertion/Retrait de la batterie

Pour **retirer** la batterie, enfoncer les boutons de déverrouillage et la tirer hors de l'outil.

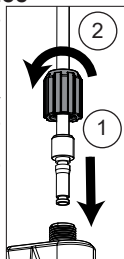
⚠ AVERTISSEMENT Toujours verrouiller la batterie les fois que l'outil est inutilisé.

Pour **insérer** la batterie, la glisser dans le corps de l'outil. S'assurer qu'elle est fixée solidement.

⚠ AVERTISSEMENT L'emploi d'accessoires autres que ceux qui sont expressément recommandés pour cet outil peut comporter des risques.

Connexion de la lance de pulvérisation à la gâchette de la poignée

1. Insérer la lance de pulvérisation dans la poignée à gâchette jusqu'au bout.
2. Glisser l'écrou sur le raccord fileté et le serrer fermement à la main.
3. Tirer sur la lance d'arrosage pour s'assurer qu'elle est fixée solidement.
4. Remplacez la poignée de déclenchement assemblée dans la poche de rangement de la baguette.



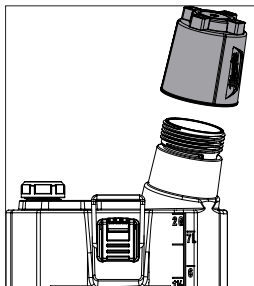
Connexion des buses

Sélectionner et retirer les vis sur la buse selon le type de travail. Lors de l'utilisation de la buse réglable, serrer ou desserrer la buse au besoin pour ajuster le type de pulvérisation.

Remplissage du réservoir

⚠ WARNING Retirez la tête alimentée du réservoir avant de le remplir ou de le nettoyer. Suivez les instructions du fabricant de produits chimiques pour le mélange, l'utilisation et la manipulation des produits chimiques. Remplissez toujours le réservoir d'eau d'abord, avant d'ajouter des produits chimiques.

1. Retirez le bloc-piles.
2. Retirez le réservoir de la tête alimentée et placez-le sur une surface plane à l'écart de la tête alimentée pour éviter toute exposition à des produits chimiques agressifs.
3. Dévissez et retirez le bouchon du réservoir; assurez-vous que la crépine est assise dans l'ouverture. Une crépine amovible empêche les débris de pénétrer dans le réservoir qui peuvent obstruer ou endommager la pompe.
4. Remplissez le réservoir. Utilisez les marques de volume sur le côté du réservoir comme guide.



- Remettre le couvercle du réservoir.
- Remettre le réservoir sur place.
- Étiquetez le contenu du réservoir en conséquence lors de chaque utilisation. Ne mettez que les liquides recommandés dans le réservoir.

Installation du réservoir

- Retirez le bloc-piles.
- Fixer le réservoir à la tête motorisée avec des loquets de réservoir avant et arrière; s'assurer que la tête alimentée est bien assise et que tous les joints sont alignés.

MANIEMENT

⚠ AVERTISSEMENT Afin de réduire le risque de blessure, portez toujours un équipement de protection individuelle (EPI) conformément aux instructions du fabricant de produits chimiques. Toujours porter la protection oculaire appropriée certifiée conforme à la norme ANSI Z87.1.

Indicateur de charge de la batterie

Pour déterminer l'autonomie de la batterie, allumez l'outil. La jauge de carburant s'allume pendant 2-3 secondes. Lorsque moins de 10% de la charge est laissée, une lumière sur la jauge de carburant clignotera 4 fois.

Pour signaler la fin de la charge, une lumière sur la jauge de carburant clignotera 8 fois et l'outil ne s'exécutera pas. Chargez le bloc-piles.

Si la batterie devient trop chaude, les voyants de jauge de carburant clignoteront et l'outil ne s'exécutera pas. Laissez la batterie refroidir.

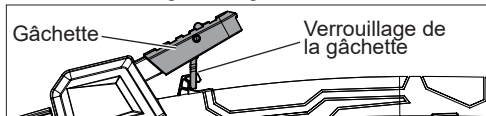
Réglage du débit

Sélectionnez le débit souhaité de Faible (1) à Élevé (3), en fonction du travail et des instructions du fabricant du produit chimique.

Réglage	Débit	Pression
1	0,4 LPM	Bas
2	0,8 LPM	Moyen
3	1,1 LPM	Haut

Désactivation du verrou de la gâchette

Pour éviter une pulvérisation accidentelle, enclenchez le verrouillage de la gâchette.



- Appuyez sur le verrou à l'extrémité de la gâchette.
- Accrochez la languette de verrouillage sous la gâchette.
- Pour libérer, repoussez la languette de verrouillage dans la gâchette.

Mise en MARCHÉ et ARRÊT du pulvérisateur

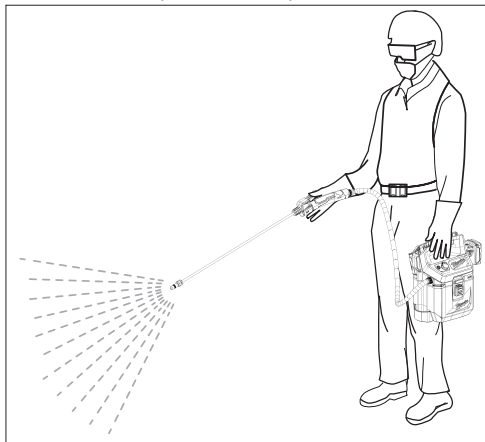
- Avant de mettre en **MARCHÉ**, vérifiez s'il y a des fuites autour du réservoir, de la lance de pulvérisation, du tuyau et des autres composants avant utilisation.
- Pour **ALLUMER** le pulvérisateur, appuyez sur le bouton d'alimentation.

- Pour démarrer l'écoulement de liquide au niveau de la lance de pulvérisation, appuyez sur la gâchette. Le pulvérisateur peut être utilisé avec une poignée de déclenchement fixée à la poignée de transport.
- Pour arrêter l'écoulement de liquide au niveau de la lance de pulvérisation, relâchez la gâchette.
- Pour **ÉTEINDRE** le pulvérisateur, appuyez sur le bouton d'alimentation de nouveau.

REMARQUE : Tenir compte que certains matériaux à pulvérisation pourront rester dans la lance et goutter. Pour le vider, éteindre l'outil et après, appuyer sur la gâchette et diriger l'outil vers le bas jusqu'à ce qu'il ne goutte plus.

Pulvérisation

- Appuyez sur la gâchette et commencez à balayer la buse d'un côté à l'autre, en recouvrant uniformément la surface souhaitée conformément aux instructions du fabricant du produit chimique.



REMARQUE : Veuillez s'assurer de vous tenir assez loin de l'objet à pulvériser, ceci pour éviter que le liquide à pulvériser ne vous éclabousse pas.

- Toujours vider, nettoyer et purger le réservoir après chaque usage d'après les instructions figurant dans la section « Entretien ».
- Nettoyez soigneusement le pulvérisateur avant de le ranger ou avant de passer à un autre produit chimique.
- Après avoir fini d'utiliser le pulvérisateur, laver soigneusement vos mains et toute aire de votre peau qui a été exposée au produit pulvérisé.

⚠ AVERTISSEMENT Avant d'utiliser tout produit ou solution chimique, veuillez lire et suivre toutes les consignes du fabricant original. Lire toutes les fiches signalétiques de sécurité (FSS) et les étiquettes du conteneur fournies avec le produit chimique. Les produits chimiques pourront causer des blessures corporelles, des dommages à la propriété ou sur l'outil. Porter de l'équipement de protection (EP) selon les consignes du fabricant du produit chimique. Toujours porter une protection oculaire.

ENTRETIEN

Entretien de l'outil

Garder l'outil, le bloc-piles et le chargeur en bon état en les soumettant à un programme d'entretien régulier. Inspecter l'outil pour vérifier qu'il ne fait pas de bruits bizarres, qu'aucune pièce mobile n'est mal alignée ou bloquée, qu'aucune pièce n'est brisée et s'assurer qu'aucun autre problème risque d'affecter le bon fonctionnement de l'outil. Retourner l'outil, le chargeur et le bloc-piles à un centre de service MILWAUKEE pour les faire réparer. Après six mois à un an, selon l'utilisation, confier l'outil, le bloc-piles et le chargeur à un centre de service MILWAUKEE pour les faire inspecter.

Si l'outil ne démarre pas ou ne fonctionne pas à plein régime une fois le bloc-piles complètement chargé, nettoyer les contacts dans le compartiment. Si l'outil ne fonctionne toujours pas, le retourner ainsi que le chargeur et le bloc-piles à un centre de service MILWAUKEE aux fins de réparation.

⚠ AVERTISSEMENT Afin de minimiser le risque de blessures physiques et de dommages, ne jamais plonger l'outil, le bloc-piles ni le chargeur dans un fluide et ne pas laisser le fluide entrer là-dedans. Ne pas utiliser d'eau de javel comme agent de nettoyage.

Nettoyage

Débarrassez les tous événements des débris et de la poussière. Gardez les outil propres, à sec et exempts d'huile ou de graisse. Le nettoyage doit se faire avec un linge humide et un savon doux. Certains nettoyeurs tels l'essence, la térébenthine, les diluants à laque ou à peinture, les solvants chlorés, l'ammoniaque et les détergents d'usage domestique qui en contiennent pourraient détériorer le plastique et l'isolation des pièces. Ne laissez jamais de solvants inflammables ou combustibles auprès des outils.

Vidange et nettoyage du réservoir, du tuyau et de lance de pulvérisation

S'il y a des restes de liquide dans le réservoir après l'utilisation, le réservoir devrait être vidé avant le nettoyage. Ne pas entreposer pas les produits chimiques dans le réservoir. Il faut nettoyer le réservoir avant de remplir avec un autre type de liquide. Ne pas mélanger de liquides. Suivre les consignes du fabricant du produit chimique pour le nettoyage, l'entreposage et l'élimination du liquide restant.

Pour vider :

1. Retirez le bloc-piles.
 2. Retirez la tête alimentée du réservoir.
 3. Videz le réservoir dans un récipient approprié en passant par la zone de remplissage.
- AVERTISSEMENT!** Portez toujours un équipement de protection individuelle (EPI) selon les instructions du fabricant du produit chimique. Portez toujours une protection oculaire.

Pour nettoyer:

1. Retirez le bloc-piles.
2. Retirez la tête alimentée du réservoir et placez-la sur une surface plane loin du réservoir pour éviter d'exposer la tête alimentée à des produits chimiques agressifs.
3. Remplissez le réservoir d'environ un tiers avec de l'eau propre. Remettez le bouchon et faites couler doucement l'eau autour du réservoir.
4. Installer le réservoir et arroser l'eau jusqu'à ce qu'il soit vide. S'assurer d'orienter le jet vers un endroit qui ne sera pas endommagé par les produits chimiques qui restent dans le réservoir.
5. Répéter les étapes avec de l'eau fraîche jusqu'à ce que le réservoir soit bien propre. Laver l'extérieur des buses et les sécher à l'aide d'un linge.
6. Essuyer l'extérieur du réservoir à l'aide d'un linge propre et sec.
7. Laissez toutes les pièces sécher complètement avant de réinstaller les pièces et de ranger le pulvérisateur. Réinsérez toujours la crépine avant de remettre en place le bouchon du réservoir.

Conservation

Protéger du gel, conserver à l'intérieur. Rangez la baguette de pulvérisation en toute sécurité dans la poche de rangement de la baguette. Rangez le pulvérisateur dans un espace intérieur sécurisé et bien ventilé avec le réservoir vide.

Réparations

Pour les réparations, retournez outil, batterie et chargeur en entier au centre-service autorisé le plus près.

ACCESSOIRES

⚠ AVERTISSEMENT L'utilisation d'autres accessoires que ceux qui sont spécifiquement recommandés pour cet outil peut comporter des risques.

Pour une liste complète des accessoires, visiter le site internet www.milwaukeetool.com ou contactez un distributeur.

SERVICE - CANADA

Milwaukee Tool (Canada) Ltd

1.800.268.4015

Monday-Friday, 7:00 AM - 4:30 PM CST

www.milwaukeetool.ca

GARANTIE LIMITÉE - AUX ÉTATS-UNIS ET AU CANADA

Chaque produit électrique d'utilisation à l'extérieur* de MILWAUKEE (voir les exceptions ci-dessous) est garanti à l'acheteur d'origine d'être exempt de tous défauts de matériau et main-d'œuvre. Sous réserve de certaines exceptions, MILWAUKEE réparera ou remplacera toute pièce d'un produit électrique d'utilisation à l'extérieur qui, après examen par MILWAUKEE, s'est affectée d'un vice de matériau ou de main-d'œuvre pendant une période de trois (3) ans** après la date d'achat, sauf indication contraire. Retourner le produit électrique d'utilisation à l'extérieur à un centre de réparations en usine MILWAUKEE ou à un poste d'entretien agréé MILWAUKEE, en port prépayé et assuré. Une copie de la preuve d'achat doit être présentée lors du retour du produit. Cette garantie ne couvre pas les dommages que MILWAUKEE détermine d'être causés par des réparations ou des tentatives de réparation par quiconque d'autre que le personnel agréé par MILWAUKEE, des utilisations incorrectes, des altérations, des utilisations abusives, une usure normale, une carence d'entretien ou les accidents. Usure normale : Plusieurs produits électriques d'utilisation à l'extérieur doivent être soumis à la substitution périodique des leurs pièces ainsi que de l'entretien afin d'achever leur performance maximale. Cette garantie ne considère pas les réparations lorsque l'utilisation régulière a épuisé la vie d'une pièce, y compris, mais sans s'y limiter, les lames pour tondeuse, la tête de coupe, les lignes de coupe, les lames, les chaînes, les tubes de soufflante, les brosses, les joints toriques et les sceaux.

* Cette garantie ne considère ni les blocs-piles portatifs ni les produits reconditionnés. Il y a d'autres garanties différentes disponibles pour ces produits.

** La période de la garantie pour les assemblages de réservoir SWITCH TANK™, les tuyaux, les poignées et les lances est d'un (1) an à partir de la date d'achat.

MILWAUKEE n'assume aucuns frais de transport ou de main-d'œuvre liés à l'inspection et à la vérification des produits électriques d'utilisation à l'extérieur qui, de l'avis de MILWAUKEE, ne donnent pas droit à une réclamation au titre de la garantie. Pour être admissible, une réclamation au titre de la garantie doit être justifiée par un vice de matériau ou de main-d'œuvre découvert par MILWAUKEE.

L'ACCEPTATION DES RECOURS EXCLUSIFS DE RÉPARATION ET DE REMPLACEMENT DÉCRITS PAR LA PRÉSENTE EST UNE CONDITION DU CONTRAT D'ACHAT DE TOUT PRODUIT MILWAUKEE. SI VOUS N'ACCEPTÉZ PAS CETTE CONDITION, VOUS NE DEVEZ PAS ACHETER LE PRODUIT. EN AUCUN CAS MILWAUKEE NE SAURAIT ÊTRE RESPONSABLE DE TOUT DOMMAGE ACCESSOIRE, SPÉCIAL OU INDIRECT, DE DOMMAGES-INTÉRÊTS PUNITIFS OU DE TOUTE DÉPENSE, D'HONORAIRES D'AVOCATS, DE FRAIS, DE PERTE OU DE DÉLAIS ACCESSOIRES À TOUT DOMMAGE, DÉFAILLANCE OU DÉFAUT DE TOUT PRODUIT, Y COMPRIS NOTAMMENT LES PERTES DE PROFIT. CERTAINES PROVINCES NE PERMETTANT PAS L'EXCLUSION OU LA LIMITATION DES DOMMAGES DIRECTS OU INDIRECTS, LES RESTRICTIONS CI-DESSOUS PEUVENT NE PAS ÊTRE APPLICABLES. CETTE GARANTIE EST EXCLUSIVE ET REMPLACE TOUTE AUTRE GARANTIE EXPRESSE, QU'ELLE SOIT VERBALE OU ÉCRITE. DANS LA MESURE PERMISE PAR LA LOI, MILWAUKEE RENONCE À TOUTE GARANTIE IMPLICITE, Y COMPRIS, SANS S'Y LIMITER, TOUTE GARANTIE IMPLICITE DE COMMERCIALISABILITÉ OU D'ADAPTION À UNE UTILISATION OU À UNE FIN PARTICULIÈRE. DANS LA MESURE OU UNE TELLE STIPULATION D'EXONÉRATION N'EST PAS PERMISE PAR LA LOI, LA DURÉE DE CES GARANTIES IMPLICITES EST LIMITÉE À LA PÉRIODE APPLICABLE DE LA GARANTIE EXPRESSE, TELLE QUE CELA EST DÉCRIT PRÉCÉDEMMENT. CERTAINES PROVINCES NE PERMETTANT PAS DE LIMITATION DE DURÉE DES GARANTIES IMPLICITES, LES RESTRICTIONS CI-DESSOUS PEUVENT NE PAS ÊTRE APPLICABLES. LA PRÉSENTE CONFÈRE À L'UTILISATEUR DES DROITS LÉGAUX PARTICULIERS : IL BÉNÉFICIE ÉGALEMENT D'AUTRES DROITS QUI VARIENT D'UNE PROVINCE À L'AUTRE. Cette garantie ne s'applique qu'aux produits vendus aux États-Unis et au Canada.

Veuillez consulter l'onglet « Trouver un centre Service », dans la section « Pièces et service » du site web de MILWAUKEE, à l'adresse www.milwaukeeool.ca, ou composer le 1-800-SAWDUST (1-800-729-3878) afin de trouver le centre de service le plus proche dans votre région pour l'entretien, sous garantie ou non, de votre outil électrique Milwaukee.

INSTRUCCIONES DE SEGURIDAD IMPORTANTES

⚠️ ADVERTENCIA Lea todas las advertencias, instrucciones e ilustraciones de seguridad y las especificaciones provistas con esta herramienta eléctrica. No seguir todas las instrucciones que se enumeran a continuación podría provocar una descarga eléctrica, incendio y/o lesiones personales graves. **Guarde todas las advertencias e instrucciones para futura consulta.** La palabra "herramienta eléctrica" en las advertencias se refiere a una herramienta eléctrica accionada por la red eléctrica (por medio de cable) o a una herramienta eléctrica accionada por baterías (sin cable).

SEGURIDAD EN EL ÁREA DE TRABAJO

- **Mantenga el área de trabajo limpia y bien iluminada.** Las áreas desordenadas u oscuras son propicias para los accidentes.
- **No utilice herramientas eléctricas en atmósferas explosivas, tales como en presencia de líquidos, gases o polvos inflamables.** Las herramientas eléctricas crean chispas, y estas podrían incendiar el polvo o los vapores.
- **Mantenga a los niños y a los espectadores alejados mientras utiliza una herramienta eléctrica.** Las distracciones pueden ocasionar la pérdida de control.

SEGURIDAD ELÉCTRICA

- **Evite el contacto corporal con superficies aterrizadas, tales como tuberías, radiadores, estufas y refrigeradores.** Existe un riesgo mayor de descarga eléctrica si su cuerpo está aterrizado.
- **No exponga las herramientas eléctricas a la lluvia ni a condiciones húmedas.** El agua que entre a la herramienta eléctrica aumentará el riesgo de choque eléctrico.
- **Uso en exteriores. No exponga a la lluvia; guarde en interiores.**

SEGURIDAD PERSONAL

- **Manténgase alerta, atento a lo que está haciendo y utilice el sentido común al utilizar una herramienta eléctrica. No use una herramienta eléctrica si está cansado o bajo la influencia de drogas, alcohol o medicamentos.** La falta de atención por tan solo un momento mientras opera herramientas eléctricas puede dar lugar a una lesión personal grave.
- **Utilice equipo de protección personal. Siempre use protección para los ojos.** El equipo de protección, tal como una máscara contra polvo, calzado antideslizante, casco o protección auditiva, utilizado para condiciones adecuadas disminuirá las lesiones personales.

- Evite el arranque accidental. Asegúrese de que el interruptor esté en la posición de apagado antes de conectarlo a una fuente de poder y/o batería, levantar o trasladar la herramienta. Trasladar herramientas con el dedo en el interruptor o energizar herramientas eléctricas que tienen el interruptor encendido propicia accidentes.
- No estire el cuerpo demasiado. Mantenga una posición segura y equilibrada adecuada en todo momento. Esto le permitirá un mayor control de la herramienta eléctrica en situaciones inesperadas.
- Vístase adecuadamente. No utilice ropa o joyería holgada. Mantenga el cabello y la ropa alejados de las partes móviles. La ropa holgada, las alhajas o el cabello largo pueden quedarse atrapados en las partes móviles.
- No permita que la familiaridad por el uso frecuente de las herramientas lo hagan sentirse seguro e ignore los principios de seguridad de las herramientas. Un descuido puede provocar lesiones graves en una fracción de segundo.

USO Y CUIDADO DE LAS HERRAMIENTAS ELÉCTRICAS

- No fuerce la herramienta eléctrica. Use la herramienta eléctrica correcta para su aplicación. La herramienta eléctrica correcta hará el trabajo mejor y en forma más segura a la velocidad para la cual fue diseñada.
- No utilice la herramienta eléctrica si el interruptor no la enciende y la apaga. Cualquier herramienta eléctrica que no pueda controlarse con el interruptor es peligrosa y debe repararse.
- Desconecte el enchufe de la fuente de energía y/o quite la batería de la herramienta eléctrica, si es posible, antes de realizar cualquier ajuste, cambiar accesorios o almacenar las herramientas eléctricas. Dichas medidas de seguridad preventivas reducen el riesgo de que la herramienta eléctrica se active por accidente.
- Almacene las herramientas eléctricas que no se estén utilizando fuera del alcance de los niños y no permita que personas que no estén familiarizadas con la herramienta eléctrica o con estas instrucciones la utilicen. Las herramientas eléctricas son peligrosas cuando están en manos de usuarios inexpertos.
- Dé mantenimiento a las herramientas eléctricas y accesorios. Verifique que no haya desalineación, amarre de partes móviles, partes rotas o alguna otra condición que pueda afectar el funcionamiento de la herramienta eléctrica.
- Utilice la herramienta eléctrica, los accesorios y las puntas, etc. de acuerdo con estas instrucciones, tomando en cuenta las condiciones de trabajo y el trabajo a realizar. El uso de la herramienta eléctrica para operaciones diferentes a las previstas podría generar una situación peligrosa.
- Mantenga las empuñaduras y ñas superficies de sujeción secas, limpias y libres de aceite y grasa. Las empuñaduras y superficies de sujeción resbalosas no permiten el manejo y control seguros de la herramienta en situaciones inesperadas.

USO Y CUIDADO DE LAS HERRAMIENTAS DE BATERÍA

- Recargue únicamente con el cargador especificado por el fabricante. Un cargador que es adecuado para un tipo de batería puede crear un riesgo de incendio si se utiliza con otra batería.
- Utilice las herramientas eléctricas únicamente con baterías específicamente diseñadas. El uso de cualquier otra batería puede producir un riesgo de lesiones e incendio.
- Cuando la batería no esté en uso, manténgala alejada de otros objetos metálicos como sujetapapeles, monedas, llaves, clavos, tornillos u otros objetos metálicos pequeños que puedan formar una conexión de una terminal a otra. Crear un corto entre las terminales de la batería puede ocasionar quemaduras o un incendio.
- Bajo condiciones de maltrato, el líquido puede ser expulsado de la batería, evite el contacto. Si ocurre un contacto accidental, enjuague con agua. Si el líquido entra a los ojos, busque también ayuda médica. El líquido expulsado de la batería puede causar irritación o quemaduras.
- No use una batería o herramienta que se haya dañado o modificado. Las baterías dañadas o modificadas pueden mostrar un comportamiento impredecible, causando incendios, explosión o riesgo de lesión.
- No exponga una batería o herramienta al fuego o a temperatura excesiva. La exposición a fuego o temperatura a más de 130° C (265° F) puede causar explosiones.
- Siga todas las instrucciones de carga y no cargue la batería o la herramienta fuera del rango de temperatura especificado en las instrucciones. La carga incorrecta o a temperaturas fuera del rango especificado puede dañar la batería y aumentar el riesgo de incendio.

SERVICIO

- Lleve su herramienta eléctrica a servicio con un técnico calificado que use únicamente piezas de reemplazo idénticas. Esto asegurará que se mantenga la seguridad de la herramienta eléctrica.
- Nunca dé servicio a baterías dañadas. Únicamente el fabricante o proveedores de servicio autorizados deben dar servicio a las baterías.

REGLAS DE SEGURIDAD ESPECÍFICAS PARA LA ROCIADORA DE MOCHILA

- **⚠️ ADVERTENCIA** Riesgo de incendio o explosión. No utilice líquidos inflamables como gasolina, disolventes o productos químicos que produzcan gas. No use la herramienta alrededor de chispas, llamas o humo. El químico puede encenderse.
- Este producto es adecuado para aplicaciones de pesticidas (como insecticidas, fungicidas, o herbicidas), fertilizantes, y aplicaciones de suministro de agua, cuando se usa de acuerdo con estas instrucciones y las suministradas con los químicos.

- **No utilice lejía, líquidos cáusticos (alcalinos) que se autocalienten o líquidos corrosivos (ácidos) en este pulverizador. No vierta líquidos calientes o hirviendo en el tanque. Estos pueden corroer las partes metálicas, debilitar el tanque y la manguera y provocar una fuga.**
- **Siempre llene el tanque con agua primero, antes de agregar productos químicos.**
- **Para reducir el riesgo de incendio, lesiones personales y daños al producto por un cortocircuito, nunca sumerja su herramienta, batería o cargador en líquido, ni permita que un líquido fluya hacia su interior. No coloque o guarde la herramienta donde pueda caer o ser jalada al interior de una tina o lavabo. Los líquidos corrosivos o conductores, como el agua de mar, ciertos productos químicos industriales y el blanqueador o los productos que contienen blanqueador, etc., pueden causar un cortocircuito.**
- **Riesgo de descarga eléctrica. Nunca rocíe hacia los enchufes eléctricos.**
- **El área de rociado debe estar bien ventilada para evitar la acumulación de humos peligrosos.**
- **Evite rociar en días ventosos. El rocío puede caer sobre personas, plantas u objetos que no se deben rociar.**
- **No almacene productos químicos en el tanque. Los productos químicos pueden degradar los sellos y las mangueras. Drene y limpie después de cada uso.**
- **Quítese los guantes antes de manipular las baterías. Los productos químicos son perjudiciales para los plásticos.**
- **Realice el mantenimiento de su herramienta eléctrica. Inspeccione minuciosamente el interior y el exterior y examine todos los componentes antes de cada uso. Revise si hay mangueras agrietadas y deterioradas, fugas, boquillas obstruidas y piezas faltantes o dañadas. Si está dañada, haga reparar la herramienta eléctrica antes de usarla. Muchos accidentes son ocasionados por herramientas eléctricas con mantenimiento deficiente.**
- **Siempre desenchufe el cargador y retire la batería del cargador o la herramienta antes de realizar cualquier mantenimiento, almacenamiento o drenaje de la herramienta. Nunca desarme la herramienta, la batería o el cargador. Comuníquese con un centro de servicio MILWAUKEE para TODAS las reparaciones.**
- **No coma ni fume mientras manipula u opera la herramienta. Después del uso, lave con agua caliente y jabón para ayudar a reducir el riesgo de peligros para la salud debido a la exposición a sustancias químicas.**
- **Válgase siempre de su sentido común y sea cuidadoso cuando utilice herramientas. No es posible anticipar todas las situaciones que podrían tener un desenlace peligroso. No utilice esta herramienta si no entiende estas instrucciones de uso o si considera que el trabajo a realizar supera sus capacidades, comuníquese con Milwaukee Tool o con un profesional capacitado para recibir capacitación o información adicional.**

• **Conserve las etiquetas y las placas nominales.** Contienen información importante. Si son ilegibles o no están presentes, comuníquese con un centro de servicio MILWAUKEE para obtener un reemplazo gratuito.

- **ADVERTENCIA** Algunos polvos generados por el lijado eléctrico, aserrado, pulido, taladrado y otras actividades de construcción contienen químicos identificados como causantes de cáncer, defectos congénitos u otros daños reproductivos. Algunos ejemplos de estos químicos son:
 - plomo de pintura a base de plomo
 - dióxido de silicio de los ladrillos y el cemento y otros productos de albañilería y
 - arsénico y cromo de madera con tratamiento químico. Su riesgo por estas exposiciones varía, dependiendo de la frecuencia con que realice este tipo de trabajo. Para reducir su exposición a estos químicos: trabaje en un área bien ventilada y trabaje con equipo de seguridad aprobado, como mascarillas protectoras contra polvo especialmente diseñadas para filtrar partículas microscópicas.

LEA Y CONSERVE TODAS LAS INSTRUCCIONES PARA CONSULTARLAS EN EL FUTURO

PARA USO DOMÉSTICO.

SIMBOLOGÍA



Volts



Corriente continua



Lea el manual del operador



Use equipo de protección personal (EPP) de acuerdo con las instrucciones del fabricante del producto químico.



Use protección para los ojos



Usar guantes



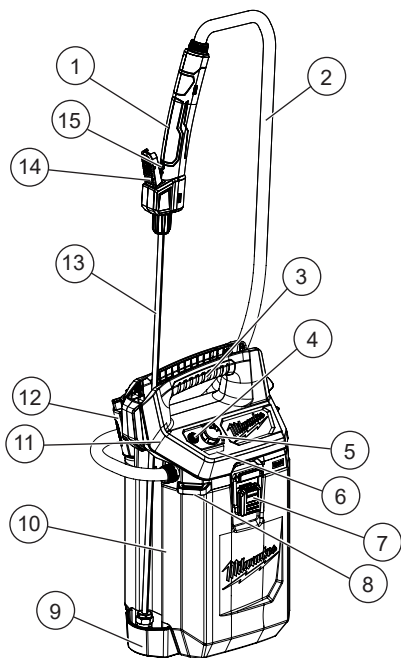
No utilice líquidos inflamables



UL Listing Mark para Canadá y Estados Unidos

DESCRIPCION FUNCIONAL

ENSAMBLAJE



- | | |
|--------------------------------------|------------------------------------|
| 1. Mango de gatillo | 9. Bolsillo para guardar la varita |
| 2. Manguera | 10. Tanque |
| 3. Asa de transporte | 11. Cabezal motorizado |
| 4. Botón de encendido | 12. Llenc / taza medidora |
| 5. Dial de caudal | 13. Varita rociadora |
| 6. Indicador de combustible | 14. Gatillo |
| 7. Pestillos del tanque | 15. Bloqueo del gatillo |
| 8. Anclajes de correa para el hombro | |

ESPECIFICACIONES

No. de Cat.....	2528-20
Volts.....	12 CD
Tipo de batería	M12™
Tipo de cargador	M12™
3,8 L Tanque No. de Cat.....	49-16-2761
7,6 L Tanque No. de Cat.....	49-16-2762
Velocidad de flujo	0,4 à 1,1 LPM
Peso completo (3,8 L)	7,3 kg (16 lbs)
Peso completo (7,6 L)	11,3 kg (25 lbs)
Temperatura ambiente recomendada para operar.....	0°C à 50°C (32°F à 125°F)

⚠ ADVERTENCIA Recargue únicamente con el cargador especificado para la batería. Para conocer las instrucciones específicas de carga, lea el manual del operador incluido con su cargador y batería.

Como se inserta/quita la batería en la herramienta

Para **retirar** la batería, presione los botones de liberación y jale de la batería para sacarla de la herramienta.

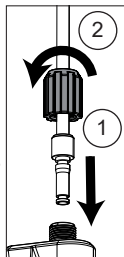
⚠ ADVERTENCIA Bloquee siempre el gatillo o retire la batería cada vez que la herramienta no esté en uso.

Para **introducir** la batería, deslícela en el cuerpo de la herramienta. Asegúrese de que quede bien firme en su posición.

⚠ ADVERTENCIA Utilice únicamente accesorios específicamente recomendados para esta herramienta. El uso de accesorios no recomendados podría resultar peligroso.

Conexión de la lanza pulverizadora al gatillo del mango

1. Inserte el tubo de atomización en la empuñadura del gatillo hasta que se asiente firmemente.
2. Deslice la tuerca en el acoplamiento roscado y apriétela firmemente con la mano.
3. Tire del tubo de atomización para asegurarse de que esté correctamente asegurado.
4. Vuelva a colocar el mango del gatillo ensamblado en el bolsillo de almacenamiento de la varita.



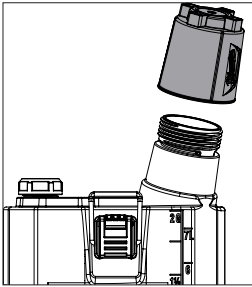
Conexión la boquilla

Seleccione y atornille la boquilla según el tipo de trabajo. Al usar la boquilla ajustable, ajuste el patrón de rociado según lo desee apretando/aflojando la boquilla.

Llenado del tanque

⚠ ADVERTENCIA Retire el cabezal eléctrico del tanque antes de llenarlo o limpiarlo. Siga las instrucciones del fabricante de productos químicos para mezclar, usar y manipular productos químicos. Siempre llene el tanque con agua primero, antes de agregar productos químicos.

1. Retire la batería.
2. Retire el tanque del cabezal accionado y colóquelo en una superficie nivelada lejos del cabezal accionado para evitar la exposición a productos químicos agresivos.
3. Desenrosque y retire la tapa del tanque; asegúrese de que el colador esté asentado en la abertura. Un colador extraíble evita que entren en el tanque escombros que pueden obstruir o dañar la bomba.
4. Llene el tanque. Use las marcas de volumen en el costado del tanque como guía.
5. Vuelva a instalar la tapa del tanque.
6. Vuelva a instalar el tanque.
7. Etiquete el contenido del tanque en consecuencia durante cada uso. Solo coloque los líquidos recomendados en el tanque.



Instalación del tanque

1. Retire la batería.
2. Asegure el tanque a la cabeza accionada con pestillos delanteros y traseros del tanque; asegurando que el cabezal eléctrico esté firmemente asentado y que todos los sellos estén alineados.

OPERACIÓN

⚠ ADVERTENCIA Para reducir el riesgo de lesiones, siempre use equipo de protección personal (EPP) de acuerdo con las instrucciones del fabricante del producto químico. Siempre utilice la protección de ojos adecuada indicada para cumplir con lo dispuesto en la norma ANSI Z87.1.

Indicador de carga

Para determinar la cantidad de carga que queda en la batería, **encienda** la herramienta. El medidor de combustible se iluminará durante 2-3 segundos. Cuando se deja menos del 10% de carga, 1 luz en el medidor de combustible parpadeará 4 veces. Para indicar el final de la carga, 1 luz en el medidor de combustible parpadeará 8 veces y la herramienta no funcionará. Cargue el paquete de baterías. Si la batería se calienta demasiado, las luces del medidor de combustible parpadearán y la herramienta no funcionará. Deje que la batería se enfríe.

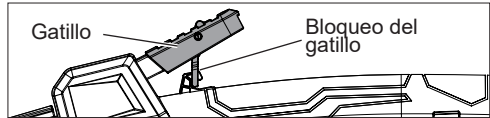
Ajuste de la tasa de flujo

Seleccione el flujo deseado de Bajo (1) a Alto (3), dependiendo del trabajo y de las instrucciones del fabricante del producto químico.

Ajuste	Caudal	Presion
1	0,4 LPM	Bajo
2	0,8 LPM	Medio
3	1,1 LPM	Alto

Desbloqueo del gatillo

Para evitar una pulverización accidental, active el seguro del gatillo.



1. Oprima el cierre al final del gatillo.
2. Enganche la pestaña de bloqueo debajo del gatillo.
3. Para soltarlo, empuje la pestaña de bloqueo hacia adentro del gatillo.

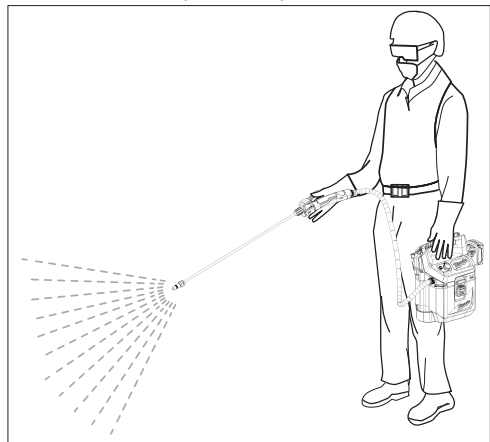
ENCENDIDO / APAGADO de la herramienta

1. Antes de **ENCENDERLO**, verifique que no haya fugas alrededor del tanque, la varilla rociadora, la manguera y otros componentes antes de usar.
2. Para **ENCENDER** el pulverizador, presione el botón de encendido.
3. Para iniciar el flujo de líquido en la varilla de pulverización, presione el gatillo. El rociador se puede operar con el mango de gatillo unido al mango de transporte.
4. Para detener el flujo de líquido en la varilla rociadora, suelte el gatillo.
5. Para **APAGAR** el pulverizador, presione el botón de encendido de nuevo.

NOTA: Tenga en cuenta que puede quedar algo de material de atomización dentro del tubo de atomización y ocasionar goteo. Para drenar, apague la herramienta, luego jale el gatillo y apunte la herramienta hacia abajo hasta que deje de gotear.

Atomización

•Apriete el gatillo y comience a barrer la boquilla de lado a lado, recubriendo la superficie deseada uniformemente de acuerdo con las instrucciones del fabricante del producto químico.



NOTA: Asegúrese de ubicarse a una distancia suficiente del objeto a atomizar para evitar que el producto atomizado rebote hacia usted.

- Siempre vacíe, limpie y drene el tanque después de cada uso, tal como lo indican las instrucciones de la sección "Mantenimiento".
- Limpie minuciosamente el pulverizador antes de guardarlo o antes de cambiar a otro químico.
- Cuando haya terminado de usar el atomizador, lávese cuidadosamente las manos y toda área de la piel que haya estado expuesta al producto atomizado.

⚠ADVERTENCIA Antes de usar productos o soluciones químicas, lea y siga todas las instrucciones del fabricante original. Lea todas las hojas de información de seguridad (SDS) y las etiquetas de los recipientes que se proporcionan con el producto químico. Los productos químicos pueden causar lesiones corporales graves, daños materiales o daños a la herramienta. Use equipo de protección personal (EPP) de acuerdo con las instrucciones del fabricante del producto químico. Siempre use protección para los ojos.

MANTENIMIENTO

Mantenimiento de la herramienta

Mantenga su herramienta, batería y cargador en buenas condiciones adoptando un programa periódico de mantenimiento. Inspeccione que no haya problemas en su herramienta como ruido excesivo, desalineación, amarre de partes móviles, partes rotas o alguna otra condición que pueda afectar su funcionamiento. Regrese la herramienta, batería y cargador a un centro de servicio MILWAUKEE para reparación. Después de seis meses a un año, dependiendo del uso, devuelva la herramienta, la batería y el cargador a un centro de servicio MILWAUKEE para inspección. Si la herramienta no arranca o no se opera a plena potencia con una batería completamente cargada, limpie los contactos de la batería. Si la herramienta sigue sin funcionar correctamente, devuelva la herramienta, el cargador y la batería a un centro de servicio MILWAUKEE para repararla.

⚠ADVERTENCIA Para reducir el riesgo de lesiones personales y daños materiales, nunca sumerja su herramienta, batería o cargador en líquido, ni permita que un líquido fluya hacia su interior. No use blanqueador como agente de limpieza.

Limpieza

Limpie el polvo y suciedad de las cualquier ventillas. Mantenga los herramienta, limpios, secos y libres de aceite o grasa. Use solo jabón neutro y un trapo húmedo para limpiar, ya que algunos substancias y solventes limpiadores son dañinos a los plásticos y partes aislantes. Algunos de estos incluyen: gasolina, turpentina, thinner, lacas, thinner para pinturas, solventes para limpieza con cloro, amoníaco y detergentes caseros que tengan amonía. Nunca usa solventes inflamables o combustibles cerca de una herramienta.

Drenaje y limpieza del tanque, la manguera y la vara rociadora

Si queda líquido en el tanque después del rociado, se debe drenar el tanque antes de limpiarlo. No almacene productos químicos en el tanque. El tanque debe limpiarse antes de usar otro líquido. No mezcle los líquidos. Siga las instrucciones del fabricante del producto químico para una limpieza, almacenamiento y eliminación adecuados del exceso de líquido.

Para drenar:

1. Retire la batería.
2. Retire el cabezal accionado del tanque.
3. Vacíe el tanque en un recipiente adecuado a través del área de llenado. **⚠ADVERTENCIA!** Utilice siempre el equipo de protección personal (EPI) de acuerdo con las instrucciones del fabricante del producto químico. Siempre use protección ocular.

Para limpiar:

1. Retire la batería.
2. Retire el cabezal accionado del tanque y colóquelo en una superficie nivelada lejos del tanque para evitar exponer el cabezal accionado a productos químicos agresivos.
3. Llene el tanque hasta un tercio de su capacidad con agua limpia. Vuelva a colocar la tapa y vierta suavemente el agua alrededor del tanque.
4. Instale el tanque y rocíe el agua hasta que el tanque se haya vaciado. Asegúrese de dirigir el rociado hacia un área que no se dañe con los residuos de químicos del tanque.
5. Repita el procedimiento con agua limpia hasta que el tanque esté completamente limpio. Lave el exterior de las boquillas y seque con un paño.
6. Limpie la parte exterior del tanque con un paño limpio y seco.
7. Deje que todas las piezas se sequen por completo antes de reinstalar las piezas y almacenar el pulverizador. Siempre vuelva a insertar el colador antes de reemplazar la tapa del tanque.

Almacenamiento

Proteger de la congelación, almacenar en interiores. Guarde la varita de pulverización de forma segura en el bolsillo de almacenamiento de la varita. Guarde el pulverizador en un espacio interior seguro y bien ventilado con el tanque vacío.

Reparaciones

Si su herramienta, batería o cargador están dañados, envíela al centro de servicio autorizado más cercano.

ACCESORIOS

⚠ADVERTENCIA Utilice sólo los accesorios específicamente recomendados. Otros accesorios puede ser peligroso.

Para una lista completa de accesorios, visite nuestro sitio en Internet: www.milwaukeetool.com o póngase en contacto con un distribuidor.

SOPORTE DE SERVICIO - MEXICO

CENTRO DE ATENCION A CLIENTES

Techtronic Industries Mexico, S.A. de C.V.

Av. Presidente Masarik 29 Piso 7

11560 Polanco V Seccion

Miguel Hidalgo, Distrito Federal, México

01 (800) 030-7777 o (55) 4160-3540

Lunes a Viernes (9am a 6pm)

O contactarnos en www.milwaukeetool.com.mx

GARANTÍA LIMITADA - E.U.A. Y CANADÁ

Cada herramienta eléctrica para exteriores* de MILWAUKEE (ver excepciones a continuación) está garantizada al comprador original únicamente de que no tenga material y mano de obra defectuosos. Sujeto a ciertas excepciones, MILWAUKEE reparará o reemplazará cualquier parte en este producto eléctrico para exteriores que tenga defectos de material o mano de obra según lo determine MILWAUKEE mediante una revisión, por un periodo de tres (3) años** después de la fecha de compra a menos que se indique lo contrario. La devolución de un equipamiento eléctrico para exteriores a un centro de servicio de fábrica de MILWAUKEE o una estación de servicio autorizada participante de MILWAUKEE se realizará con flete pagado por adelantado y asegurado. Se debe incluir una copia del comprobante de compra con el producto devuelto. Esta garantía no aplica a daños que MILWAUKEE determine que son ocasionados por reparaciones o intentos de reparaciones realizados por una persona que no sea personal autorizado de MILWAUKEE, uso indebido, alteraciones, maltrato, desgaste normal, falta de mantenimiento o accidentes.

Desgaste normal. Muchos productos de equipamiento eléctrico para exteriores necesitan cambios de piezas y mantenimiento periódicos para alcanzar su máximo rendimiento. La presente garantía no cubre las reparaciones cuando el uso normal del producto haya agotado la vida útil de una pieza, que podría incluir, entre otras, las hojas de podadora, el cabezal de bordeadora, el carrete del cabezal de la desbrozadora, las líneas de corte, las hojas, las cadenas, los tubos del soplador, los cepillos, las juntas tóricas y los sellos.

*La presente garantía no cubre ni la batería ni los productos reaccionados. Están disponibles distintas garantías independientes para estos productos.

**La vigencia de la garantía de los ensambles de tanque, mangueras, empuñaduras y extensiones es de un (1) año a partir de la fecha de compra.

MILWAUKEE no cubre los cargos por flete o mano de obra relacionados con la inspección y el análisis de los productos eléctricos para exteriores que MILWAUKEE haya descubierto que no conforman una reclamación de garantía válida. Una reclamación de garantía válida deberá estar fundamentada por el descubrimiento de material o fabricación defectuosos por parte de MILWAUKEE.

LA ACEPTACIÓN DE LOS RESARCIMIENTOS EXCLUSIVOS DE REPARACIÓN Y SUSTITUCIÓN AQUÍ DESCRITOS ES UNA CONDICIÓN DEL CONTRATO EN CUANTO A LA COMPRA DE TODO PRODUCTO DE MILWAUKEE. SI USTED NO ACEPTA ESTA CONDICIÓN, NO DEBE COMPRAR EL PRODUCTO. MILWAUKEE NO SERÁ RESPONSABLE EN NINGUN CASO DE DAÑOS INCIDENTALES, ESPECIALES, EMERGENTES O PUNITIVOS NI DE NINGÚN COSTO, HONORARIOS DE ABOGADOS, GASTOS, PÉRDIDAS O DEMORAS QUE SUPUESTAMENTE SEAN CONSECUENCIA DE ALGÚN DAÑO, FALLA O DEFECTO DE ALGUNO DE LOS PRODUCTOS, INCLUYENDO, ENTRE OTROS, RECLAMACIONES POR PÉRDIDA DE UTILIDADES. ALGUNOS ESTADOS NO PERMITEN LA EXCLUSIÓN O LIMITACIÓN DE RESPONSABILIDAD POR DAÑOS INCIDENTALES O EMERGENTES, POR LO QUE LA ANTERIOR LIMITACIÓN O EXCLUSIÓN PODRÍA NO APLICARSE EN SU CASO. ESTA GARANTÍA ES EXCLUSIVA Y SUSTITUYE TODAS LAS DEMÁS GARANTÍAS EXPRESAS, SEAN ESTAS ESCRITAS U ORALES. EN LA MEDIDA EN QUE LO PERMITA LA LEY, MILWAUKEE DESCONOCE CUALQUIER GARANTÍA IMPLÍCITA, INCLUYENDO, ENTRE OTRAS, CUALQUIER GARANTÍA IMPLÍCITA DE COMERCIABILIDAD O IDONEIDAD PARA UN FIN O USO ESPECÍFICO; TODA VEZ QUE DICHO DESCONOCIMIENTO NO SEA PERMITIDO POR LA LEY, DICHAS GARANTÍAS IMPLÍCITAS SE LIMITAN A LA DURACIÓN DE LA GARANTÍA EXPRESA CORRESPONDIENTE SEGÚN LO DESCRITO ANTERIORMENTE. ALGUNOS ESTADOS NO PERMITEN LIMITACIONES EN LA VIGENCIA DE UNA GARANTÍA IMPLÍCITA, POR LO QUE LA ANTERIOR LIMITACIÓN PODRÍA NO APLICAR A USTED. ESTA GARANTÍA LE CONFIERE DERECHOS JURÍDICOS ESPECÍFICOS Y USTED PODRÍA, ADEMÁS, TENER OTROS DERECHOS QUE VARIAN SEGÚN EL ESTADO.

Esta garantía aplica únicamente a los productos vendidos en EE. UU. y Canadá.

Consulte la "Búsqueda de centro de servicio" en la sección de Partes y servicio del sitio web de MILWAUKEE en www.milwaukeetool.com o llame al 1.800.SAWDUST (1.800.729.3878) para localizar su centro de servicio más cercano para darle servicio con y sin garantía a una herramienta eléctrica de Milwaukee.

PÓLIZA DE GARANTÍA - VALIDA SOLO PARA MEXICO, AMÉRICA CENTRAL Y EL CARIBE

La garantía de TECHTRONIC INDUSTRIES es por 3 años a partir de la fecha original de compra.

Esta tarjeta de garantía cubre cualquier defecto de material y mano de obra en ese Producto.

Para hacer válida esta garantía, presente esta tarjeta de garantía, cerrada/sellada por el distribuidor o la tienda donde compró el producto, al Centro de Servicio Autorizado (ASC). O, si esta tarjeta no se ha cerrado/sellado, presente la prueba original de compra a ASC. Llame 55 4160-3547 para encontrar el ASC más cercano, para servicio, partes, accesorios o componentes.

Procedimiento para hacer válida esta garantía

Lleve el producto a ASC, junto con la tarjeta de garantía cerrada/sellada por el distribuidor o la tienda donde compró el producto, y cualquier pieza o componente defectuoso se reemplazará sin costo para usted. Cubriremos todos los costos de flete con relación a este proceso de garantía

Excepciones

Esta garantía no tendrá validez en las siguientes situaciones:

- Cuando el producto se use de manera distinta a la que indica el manual del usuario final o de instrucciones.
- Cuando las condiciones de uso no sean normales.
- Cuando otras personas no autorizadas por TECHTRONIC INDUSTRIES modifiquen o reparen el producto.

Nota: si el juego de cables está dañado, tiene que reemplazarse en un Centro de Servicio Autorizado para evitar riesgos eléctricos.

CENTRO DE SERVICIO Y ATENCIÓN

Llame al 55 4160-3547

IMPORTADO Y COMERCIALIZADO POR

TECHTRONIC INDUSTRIES, MÉXICO, S.A. DE C.V.

Miguel de Cervantes Saavedra No.301 Piso 5, Torre Norte

11520 Colonia Ampliación Granada

Miguel Hidalgo, Ciudad de Mexico, Mexico

Modelo: _____

Fecha de Compra: _____

Sello del Distribuidor: _____

MILWAUKEE TOOL
13135 West Lisbon Road
Brookfield, WI 53005 USA

58142528d2
07/22

01672300101Q-02(A)
Printed in China