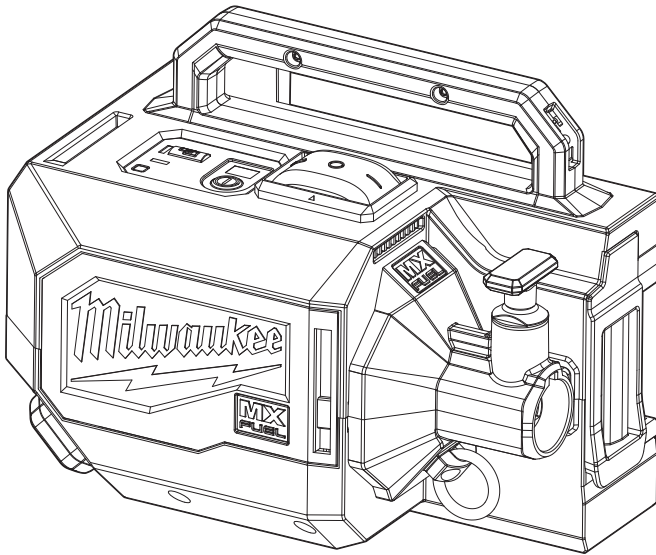




OPERATOR'S MANUAL
MANUEL de L'UTILISATEUR
MANUAL del OPERADOR



Cat. No. / No de cat.
MXF370

MX FUEL™ CONCRETE VIBRATOR
VIBRATEUR À BÉTON MX FUEL™
VIBRADOR DE CONCRETO MX FUEL™



WARNING To reduce the risk of injury, user must read and understand operator's manual.

AVERTISSEMENT Afin de réduire le risque de blessures, l'utilisateur doit lire et bien comprendre le manuel.

ADVERTENCIA Para reducir el riesgo de lesiones, el usuario debe leer y entender el manual.

GENERAL POWER TOOL SAFETY WARNINGS

⚠WARNING Read all safety warnings, instructions, illustrations and specifications provided with this power tool. Failure to follow all instructions listed below may result in electric shock, fire and/or serious injury. **Save all warnings and instructions for future reference.** The term "power tool" in the warnings refers to your mains-operated (corded) power tool or battery-operated (cordless) power tool.

WORK AREA SAFETY

- **Keep work area clean and well lit.** Cluttered or dark areas invite accidents.
- **Do not operate power tools in explosive atmospheres, such as in the presence of flammable liquids, gases or dust.** Power tools create sparks which may ignite the dust or fumes.
- **Keep children and bystanders away while operating a power tool.** Distractions can cause you to lose control.

ELECTRICAL SAFETY

- **Power tool plugs must match the outlet. Never modify the plug in any way. Do not use any adapter plugs with earthed (grounded) power tools.** Unmodified plugs and matching outlets will reduce risk of electric shock.
- **Avoid body contact with earthed or grounded surfaces, such as pipes, radiators, ranges and refrigerators.** There is an increased risk of electric shock if your body is earthed or grounded.
- **Do not expose power tools to rain or wet conditions.** Water entering a power tool will increase the risk of electric shock.
- **Do not abuse the cord. Never use the cord for carrying, pulling or unplugging the power tool. Keep cord away from heat, oil, sharp edges or moving parts.** Damaged or entangled cords increase the risk of electric shock.
- **When operating a power tool outdoors, use an extension cord suitable for outdoor use.** Use of a cord suitable for outdoor use reduces the risk of electric shock.
- **If operating a power tool in a damp location is unavoidable, use a ground fault circuit interrupter (GFCI) protected supply.** Use of an GFCI reduces the risk of electric shock.

PERSONAL SAFETY

- **Stay alert, watch what you are doing and use common sense when operating a power tool. Do not use a power tool while you are tired or under the influence of drugs, alcohol or medication.** A moment of inattention while operating power tools may result in serious personal injury.
- **Use personal protective equipment. Always wear eye protection.** Protective equipment such as a dust mask, non-skid safety shoes, hard hat or hearing protection used for appropriate conditions will reduce personal injuries.
- **Prevent unintentional starting. Ensure the switch is in the off-position before connecting to power source and/or battery pack, picking up or carrying the tool.** Carrying power tools with your finger on the switch or energizing power tools that have the switch on invites accidents.

- **Remove any adjusting key or wrench before turning the power tool on.** A wrench or a key left attached to a rotating part of the power tool may result in personal injury.
- **Do not overreach. Keep proper footing and balance at all times.** This enables better control of the power tool in unexpected situations.
- **Dress properly. Do not wear loose clothing or jewelry. Keep your hair and clothing away from moving parts.** Loose clothes, jewelry or long hair can be caught in moving parts.
- **If devices are provided for the connection of dust extraction and collection facilities, ensure these are connected and properly used.** Use of dust collection can reduce dust-related hazards.
- **Do not let familiarity gained from frequent use of tools allow you to become complacent and ignore tool safety principles.** A careless action can cause severe injury within a fraction of a second.

POWER TOOL USE AND CARE

- **Do not force the power tool. Use the correct power tool for your application.** The correct power tool will do the job better and safer at the rate for which it was designed.
 - **Do not use the power tool if the switch does not turn it on and off.** Any power tool that cannot be controlled with the switch is dangerous and must be repaired.
 - **Disconnect the plug from the power source and/ or remove the battery pack, if detachable, from the power tool before making any adjustments, changing accessories, or storing power tools.** Such preventive safety measures reduce the risk of starting the power tool accidentally.
 - **Store idle power tools out of the reach of children and do not allow persons unfamiliar with the power tool or these instructions to operate the power tool.** Power tools are dangerous in the hands of untrained users.
 - **Maintain power tools and accessories. Check for misalignment or binding of moving parts, breakage of parts and any other condition that may affect the power tool's operation. If damaged, have the power tool repaired before use.** Many accidents are caused by poorly maintained power tools.
 - **Keep cutting tools sharp and clean.** Properly maintained cutting tools with sharp cutting edges are less likely to bind and are easier to control.
 - **Use the power tool, accessories and tool bits etc. in accordance with these instructions, taking into account the working conditions and the work to be performed.** Use of the power tool for operations different from those intended could result in a hazardous situation.
 - **Keep handles and grasping surfaces dry, clean and free from oil and grease.** Slippery handles and grasping surfaces do not allow for safe handling and control of the tool in unexpected situations.
- ### BATTERY TOOL USE AND CARE
- **Recharge only with the charger specified by the manufacturer.** A charger that is suitable for one type of battery pack may create a risk of fire when used with another battery pack.
 - **Use power tools only with specifically designated battery packs.** Use of any other battery packs may create a risk of injury and fire.

•When battery pack is not in use, keep it away from other metal objects, like paper clips, coins, keys, nails, screws or other small metal objects, that can make a connection from one terminal to another. Shorting the battery terminals together may cause burns or a fire.

•Under abusive conditions, liquid may be ejected from the battery; avoid contact. If contact accidentally occurs, flush with water. If liquid contacts eyes, additionally seek medical help. Liquid ejected from the battery may cause irritation or burns.

•Do not use a battery pack or tool that is damaged or modified. Damaged or modified batteries may exhibit unpredictable behavior resulting in fire, explosion or risk of injury.

•Do not expose a battery pack or tool to fire or excessive temperature. Exposure to fire or temperature above 265°F (130°C) may cause explosion.

•Follow all charging instructions and do not charge the battery pack or tool outside the temperature range specified in the instructions. Charging improperly or at temperatures outside the specified range may damage the battery and increase the risk of fire.

SERVICE

•Have your power tool serviced by a qualified repair person using only identical replacement parts. This will ensure that the safety of the power tool is maintained.

•Never service damaged battery packs. Service of battery packs should only be performed by the manufacturer or authorized service providers.

SPECIFIC SAFETY RULES FOR CONCRETE VIBRATORS

•**AWARNING** To reduce the risk of injury, wear protective gloves and boots when working with wet concrete.

•Do not use accessories which are not specifically designed and specified by the tool manufacturer. Just because the accessory can be attached to your power tool, it does not assure safe operation.

•Always install flex shaft and head according to the manufacturer's instructions. Only use accessories matching the tool coupler.

•If using with a lanyard, do not exceed maximum capacity marked on the lanyard label. Always determine the weight of the product, with all accessories, when selecting the appropriate lanyard system. Exceeding maximum capacity may result in serious injury. See specifications for tool and battery weight.

•For best results, use with energy absorbing lanyards. Ropes, straps or chains may break and cause failure. Do not use with lanyards at full tension. Do not use lanyards longer than 3 feet.

•Chemical Burn Hazard. Keep coin cell battery away from children.

•Always use common sense and be cautious when using tools. It is not possible to anticipate every situation that could result in a dangerous outcome. Do not use this tool if you do not understand these operating instructions or you feel the work is beyond your capability; contact Milwaukee Tool or a trained professional for additional information or training.

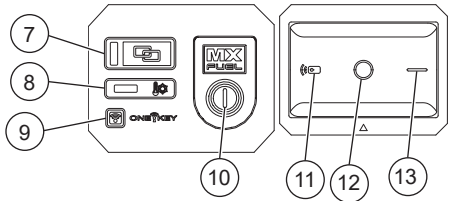
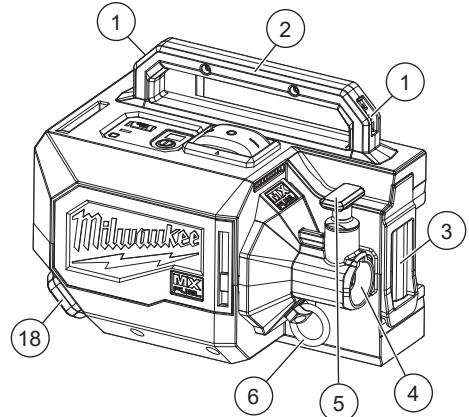
•Maintain labels and nameplates. These carry important information. If unreadable or missing, contact a MILWAUKEE service facility for a free replacement.

•**AWARNING** Some dust created by power sanding, sawing, grinding, drilling, and other construction activities contains chemicals known to cause cancer, birth defects or other reproductive harm. Some examples of these chemicals are:

- lead from lead-based paint
- crystalline silica from bricks and cement and other masonry products, and
- arsenic and chromium from chemically-treated lumber.

Your risk from these exposures varies, depending on how often you do this type of work. To reduce your exposure to these chemicals: work in a well ventilated area, and work with approved safety equipment, such as those dust masks that are specially designed to filter out microscopic particles.

FUNCTIONAL DESCRIPTION



1. Carry strap attachment point

2. Carry handle

3. Battery latch cover

4. Flex shaft coupler

5. Coupler locking handle

6. Lanyard loop

7. Pairing button

8. Cold Start LED

9. ONE-KEY™ indicator

10. Arm button

11. Remote mode position

12. OFF position

13. ON position

14. Transmit LED

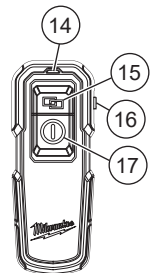
15. Pairing button

16. Remote On/Off switch

17. Start/Stop button

18. Remote storage

19. Carry strap (not shown)



SYMBOLOLOGY

	Volts
	Direct Current
n XXXX min ⁻¹	Vibrations per Minute (VPM)
	Read operator's manual
	Wear personal protective equipment (PPE) according to the job site requirements.
	Wear eye protection
	Pairing
	Cold Start LED
	Remote mode
	OFF position
	ON position
	UL Listing for Canada and U.S.

SPECIFICATIONS

Cat. No.....	MXF370
Battery Type.....	MX FUEL™
Charger Type.....	MX FUEL™
Module/FCC ID.....	BGM11S/QOQ11
Recommended Ambient Operating Temperature.....	0°F to 125°F
MX FUEL™ Li-Ion Battery Packs	72 V DC
Rated VPM.....	11,200
Weight (Tool-Only).....	12.2 lbs
Weight (With MXFXC406 battery pack, 21" flex shaft and 2.5" head).....	51.2 lbs
MILWAUKEE Flex Shafts and Heads	
7' Flex Shaft.....	Cat. No. 48-37-7007
10' Flex Shaft.....	Cat. No. 48-37-7010
14' Flex Shaft.....	Cat. No. 48-37-7014
21' Flex Shaft.....	Cat. No. 48-37-7021
1" Head.....	Cat. No. 48-37-5010
1-1/2" Head.....	Cat. No. 48-37-5015
2" Head.....	Cat. No. 48-37-5020
2-1/2" Head.....	Cat. No. 48-37-5025
Remote Cat. No.	3701
FCC ID.....	P36-3701
IC.....	25187-3701
Communication Range.....	Up to 30'
Battery Type.....	2xAAA
DC Input Volts.....	3.0 V

ASSEMBLY

⚠ WARNING Recharge only with the charger specified for the battery. For specific charging instructions, read the operator's manual supplied with your charger and battery.

Removing/Inserting the Battery

To **remove** the battery, push the battery latch lock to the side and squeeze the battery latch lever. Pull the battery pack away from the machine.

⚠ WARNING Always remove battery pack before changing or removing accessories.

To **insert** the battery, slide the pack into the body of the machine. Make sure it latches securely into place.

⚠ WARNING Only use accessories specifically recommended for this machine. Others may be hazardous.

Attaching the Flex Shaft

Flex shafts are normally lubricated from the manufacturer from one end. Attach the greased end to the machine. Use a flex shaft with a length suitable for the job.

1. Remove the battery pack. **WARNING!** Always remove battery pack before changing or removing accessories.
2. Open coupler locking handle.
3. Place the flex shaft into the coupler.
4. Pull the flex shaft until the coupler locking handle engages. (Handle will automatically fall into place with an audible click).

Attaching Head to Flex Shaft

1. Remove the battery pack. **WARNING!** Always remove battery pack before changing or removing accessories.
2. Coat flex shaft threads with sealant to prevent water from entering head
3. Thread head onto flex shaft.
4. Tighten by gripping metal portion of the flex shaft and flats of the head.

Changing Remote Batteries

Only use alkaline batteries. Do not use zinc-carbon batteries. If the remote will not be used for a long time, remove the batteries as a protection against corrosion.

To change the batteries:

1. Open the battery compartment.
2. Insert the batteries according to the polarity marked in the compartment.
3. Close the battery compartment.

Pairing the Remote

1. Arm the machine.
2. On the machine, set the switch to the (OFF) position.
3. Turn on the remote.
4. On the machine, press and hold the (PAIR) button until LED begins flashing (indicating machine is ready to pair).
5. Press and hold the (PAIR) button on the Remote; flashing LED on machine will turn solid then off when the remote has paired successfully. **NOTE:** Remote needs to be within close proximity to ensure remote is receiving signal from the machine. This procedure will time out in 30 seconds if machine is not paired.

ONE-KEY™

To learn more about the ONE-KEY™ functionality for this machine, go to milwaukeeetool.com/One-Key. To download the ONE-KEY™ app, visit the App Store® or Google Play™ from your smart device.

ONE-KEY™ Indicator

Solid Blue	Wireless mode is active and ready to be configured via the ONE-KEY™ app.
Blinking Blue	Machine is actively communicating with the ONE-KEY™ app.
Blinking Red	Machine is in security lockout and can be unlocked by the owner via the ONE-KEY™ app.

OPERATION

⚠WARNING To reduce the risk of injury, always wear proper eye protection marked to comply with ANSI Z87.1.

Arming the Machine

The MX FUEL™ machines must be armed prior to use. Even with the battery pack inserted, the machine functions will not operate until the machine is armed. To arm the machine:

1. Insert the battery pack.
2. Press the arm button. The MX FUEL™ icon will light.
3. After 15 minutes of inactivity, the machine will enter sleep mode. The MX FUEL™ icon will go off and the LEDs are un-operational.
4. Press and hold the arm button for 1 second to reactivate the machine.
5. Press and hold the arm button for 1 second to unarm (turn off) the machine. The MX FUEL™ icon will go off.

Starting and Stopping

1. Arm the machine.
2. To **start** the machine, set the switch to the — position.
3. To **stop** the machine, set the switch to the ○ position.

Starting and Stopping (Remote Mode)

1. Arm the machine.
2. On the machine, set the switch to the (t) position.
3. Turn on the remote
4. To **start** the machine, press the (⏻) button on the remote.
5. To **stop** the machine, press the (⏻) button on the remote.

Cold Start LED

The Cold Start LED will illuminate when the machine is started in cold conditions (below 32°F). The machine will gradually bring the VPM up to 10,000 in order to avoid nuisance shutdowns. Once the VPM reaches 10,000 VPM the Cold Start LED will go off. This feature allows the machine to start in temps as low as -4°F.

Low Battery Alert

During use, when the battery nears end of charge (at 10% and 2% remaining charge), the machine will notify the user by turning itself off and on (pausing). Charge the battery.

General Operation

1. Insert head vertically into material allowing head to sink to desired depth by its own weight.
2. Hold in place for 5-15 seconds, then slowly lift head up, staying behind the trapped air's movement to avoid retrapping air.
3. A small up and downward movement will close the hole formed by the head.
4. To prevent agitating air into material, withdraw the head quickly when near the top.
5. Move head, re-insert and repeat as desired.

MAINTENANCE

⚠WARNING To reduce the risk of injury, always unplug the charger and remove the battery pack from the charger or machine before performing any maintenance. Never disassemble the battery pack, charger, or machine, except as provided in these instructions. Contact a MILWAUKEE service facility for all other repairs.

Maintaining Machine

Keep your machine, battery pack and charger in good repair by adopting a regular maintenance program. Inspect your machine for issues such as undue noise, misalignment or binding of moving parts, breakage of parts, or any other condition that may affect the machine operation. Return the machine, battery pack, and charger to a MILWAUKEE service facility for repair. After six months to one year, depending on use, return the machine, battery pack and charger to a MILWAUKEE service facility for inspection.

If the machine does not start or operate at full power with a fully charged battery pack, clean the contacts on the battery pack. If the machine still does not work properly, return the machine, charger and battery pack, to a MILWAUKEE service facility for repairs.

ONE-KEY™

⚠WARNING Chemical Burn Hazard. This device contains a lithium button/coin cell battery. A new or used battery can cause severe internal burns and lead to death in as little as 2 hours if swallowed or enters the body. Always secure the battery cover. If it does not close securely, stop using the device, remove the batteries, and keep it away from children. If you think batteries may have been swallowed or entered the body, seek immediate medical attention.



Internal Coin Cell Battery

An internal coin cell battery is used to facilitate full ONE-KEY™ functionality.

To replace the coin cell battery:

1. Remove the battery pack.
2. Remove the screw(s) and open the coin cell battery door.
3. Remove the old coin cell battery, keep it away from children, and dispose of it properly.
4. Insert the new coin cell battery (3V CR2032), with the positive side facing up.
5. Close the battery door and tighten the screw(s) securely.

WARNING To reduce the risk of personal injury, electric shock and damage, never immerse your machine in liquid or allow a liquid to flow inside it.

Cleaning

Clean dust and debris from any vents. Keep handles clean, dry and free of oil or grease. Use only mild soap and a damp cloth to clean, since certain cleaning agents and solvents are harmful to plastics and other insulated parts. Some of these include gasoline, turpentine, lacquer thinner, paint thinner, chlorinated cleaning solvents, ammonia and household detergents containing ammonia. Do not spray the machine or battery. Never use flammable or combustible solvents around machines.

Cleaning the Battery and Battery Bay

Keep battery connections and surfaces between the machine and battery free of debris and materials. Failure to keep surfaces clean may result in misalignment and/or damage to the battery connection.

Repairs

For repairs, return the machine to the nearest authorized service center

ACCESSORIES

WARNING Use only recommended accessories. Others may be hazardous.

For a complete listing of accessories, go online to www.milwaukeeetool.com or contact a distributor.

WIRELESS COMMUNICATION

Pursuant to part 15.21 of the FCC Rules, you are cautioned that changes or modifications not expressly approved by the party responsible for compliance could void your authority to operate the product.

NOTE: This equipment has been tested and found to comply with the limits for a Class B digital device, pursuant to part 15 of the FCC Rules. These limits are designed to provide reasonable protection against harmful interference in a residential installation. This equipment generates, uses and can radiate radio frequency energy and, if not installed and used in accordance with the instructions, may cause harmful interference to radio communications. However, there is no guarantee that interference will not occur in a particular installation. If this equipment does cause harmful interference to radio or television reception, which can be determined by turning the equipment off and on, the user is encouraged to try to correct the interference by one or more of the following measures:

- Reorient or relocate the receiving antenna.
- Increase the separation between the equipment and receiver.
- Connect the equipment into an outlet on a circuit different from that to which the receiver is connected.
- Consult the dealer or an experienced radio/TV technician for help.

This device complies with part 15 of the FCC Rules and ISCED-Canada's license exempt RSS standards. Operation is subject to the following two conditions:

- 1) This device may not cause harmful interference, and
- 2) This device must accept any interference received, including interference that may cause undesired operation.

SERVICE - UNITED STATES

1-800-SAWDUST (1.800.729.3878)

Monday-Friday, 7:00 AM - 6:30 PM CST

or visit www.milwaukeeetool.com

Contact Corporate After Sales Service Technical Support with technical, service/repair, or warranty questions.

Email: metproductsupport@milwaukeeetool.com

Become a Heavy Duty Club Member at www.milwaukeeetool.com to receive important notifications regarding your purchases.

SERVICE - CANADA

Milwaukee Tool (Canada) Ltd

1.877.948.2360

Monday-Friday, 7:00 AM - 4:30 PM CST

or visit www.milwaukeeetool.ca

LIMITED WARRANTY USA & CANADA

Every MILWAUKEE MX FUEL™ Product, battery pack, and charger is warranted to the original purchaser from an authorized MILWAUKEE distributor only to be free from defects in material and workmanship. Subject to certain exceptions, MILWAUKEE will repair or replace a MX FUEL™ product, battery pack, or charger which, after examination, is determined by MILWAUKEE to be defective in material or workmanship for a period of two (2) years after the date of purchase. Return of the MX FUEL™ product, battery pack, or charger to a MILWAUKEE factory Service Center location or MILWAUKEE Authorized Service Station, freight prepaid and insured, is required. For the proper shipping procedure of battery packs, contact 1.800.SAWDUST (1.800.729.3878), or go to www.milwaukeeetool.com. A copy of the proof of purchase should be included with the return product. This warranty does not apply to damage that MILWAUKEE determines to be from repairs made or attempted by anyone other than MILWAUKEE authorized personnel, misuse, alterations, abuse, normal wear and tear, lack of maintenance, or accidents.

Normal Wear: Many MX FUEL™ products need periodic parts replacement and service to achieve best performance. This warranty does not cover repair when normal use has exhausted the life of a part including, but not limited to, assist & drive belts, pulleys, blade flanges, vacuum gaskets, tool free handles, set pins, skis, drive couplers, rubber boots, auto feed, stabilize blocks, wheels, carrier wheels, cords, o-rings, seals, bumpers, driver blades, pistons, strikers, lifters, tool holder, and bumper cover washers.

Warranty Registration is not necessary to obtain the applicable warranty on a MX FUEL™ product, battery pack, or charger.

ACCEPTANCE OF THE EXCLUSIVE REPAIR AND REPLACEMENT REMEDIES DESCRIBED HEREIN IS A CONDITION OF THE CONTRACT FOR THE PURCHASE OF EVERY MILWAUKEE PRODUCT. IF YOU DO NOT AGREE TO THIS CONDITION, YOU SHOULD NOT PURCHASE THE PRODUCT. IN NO EVENT SHALL MILWAUKEE BE LIABLE FOR ANY INCIDENTAL, SPECIAL, CONSEQUENTIAL, OR PUNITIVE DAMAGES, OR FOR ANY COSTS, ATTORNEY FEES, EXPENSES, LOSSES OR DELAYS ALLEGED TO BE AS A CONSEQUENCE OF ANY DAMAGE TO, FAILURE OF, OR DEFECT IN ANY PRODUCT INCLUDING, BUT NOT LIMITED TO, ANY CLAIMS FOR LOSS OF PROFITS. SOME STATES DO NOT ALLOW THE EXCLUSION OR LIMITATION OF INCIDENTAL OR CONSEQUENTIAL DAMAGES, SO THE ABOVE LIMITATION OR EXCLUSION MAY NOT APPLY TO YOU. THIS WARRANTY IS EXCLUSIVE AND IN LIEU OF ALL OTHER EXPRESS WARRANTIES, WRITTEN OR ORAL. TO THE EXTENT PERMITTED BY LAW, MILWAUKEE DISCLAIMS ANY IMPLIED WARRANTIES, INCLUDING WITHOUT LIMITATION ANY IMPLIED WARRANTY OF MERCHANTABILITY OR FITNESS FOR A PARTICULAR USE OR PURPOSE. TO THE EXTENT SUCH DISCLAIMER IS NOT PERMITTED BY LAW, SUCH IMPLIED WARRANTIES ARE LIMITED TO THE DURATION OF THE APPLICABLE EXPRESS WARRANTY AS DESCRIBED ABOVE. SOME STATES DO NOT ALLOW LIMITATIONS ON HOW LONG AN IMPLIED WARRANTY LASTS, SO THE ABOVE LIMITATION MAY NOT APPLY TO YOU. THIS WARRANTY GIVES YOU SPECIFIC LEGAL RIGHTS, AND YOU MAY ALSO HAVE OTHER RIGHTS WHICH VARY FROM STATE TO STATE.

This warranty applies to product sold in the U.S.A. and Canada only. Please consult the "Service Center Search" in the Parts & Service section of MILWAUKEE's website www.milwaukeeetool.com or call 1.800.SAWDUST (1.800.729.3878) to locate your nearest service facility for warranty and non-warranty service on a MX FUEL™ product, battery pack or charger.

RÈGLES DE SÉCURITÉ GÉNÉRALES RELATIVES AUX OUTILS ÉLECTRIQUES

⚠ AVERTISSEMENT Lire toutes les consignes de sécurité, consignes, illustrations et spécifications fournies avec cet outil électrique. Ne pas suivre l'ensemble des règles et instructions peut entraîner une électrocution, un incendie ou des blessures graves. Conserver les règles et les instructions à des fins de référence ultérieure. Le terme «outil électrique» figurant dans les avertissements ci-dessous renvoie à l'outil électrique à alimentation par le réseau (à cordon) ou par batterie (sans fil).

SÉCURITÉ DU LIEU DE TRAVAIL

- **Veillez à ce que l'aire de travail soit propre et bien éclairée.** Le désordre et le manque de lumière favorisent les accidents.
- **Ne pas utiliser d'outils électriques dans des atmosphères explosives, par exemple en présence de liquides, gaz ou poussières inflammables.** Les outils électriques produisent des étincelles risquant d'enflammer les poussières ou vapeurs.
- **S'assurer que les enfants et les curieux se trouvent à une bonne distance au moment d'utiliser un outil électrique.** Les distractions peuvent causer une perte de contrôle.

SÉCURITÉ ÉLECTRIQUE

- **Les fiches des outils électriques doivent correspondre à la prise secteur utilisée. Ne jamais modifier la fiche, de quelque façon que ce soit. Ne jamais utiliser d'adaptateurs de fiche avec des outils mis à la terre.** Les fiches et prises non modifiées réduisent le risque de choc électrique.
- **Éviter tout contact avec des surfaces mises à la terre comme des tuyaux, des radiateurs, des cuisinières et des réfrigérateurs.** Le risque de choc électrique est accru lorsque le corps est mis à la terre.
- **Ne pas exposer les outils électriques à l'eau ou l'humidité.** La pénétration d'eau dans ces outils accroît le risque de choc électrique.
- **Ne pas maltraiter le cordon d'alimentation. Ne jamais utiliser le cordon d'alimentation pour transporter l'outil électrique et ne jamais débrancher ce dernier en tirant sur le cordon. Garder le cordon à l'écart de la chaleur, de l'huile, des objets tranchants et des pièces en mouvement.** Un cordon endommagé ou emmêlé accroît le risque de choc électrique.
- **Pour les travaux à l'extérieur, utiliser un cordon spécialement conçu à cet effet.** Utiliser un cordon conçu pour l'usage extérieur réduit les risques de choc électrique.
- **Si l'utilisation d'un outil électrique est inévitable dans un endroit humide, utiliser une source d'alimentation munie d'un disjoncteur de fuite de terre.** L'utilisation d'un disjoncteur de fuite de terre réduit le risque de choc électrique.

SÉCURITÉ INDIVIDUELLE

- **Rester attentif, prêter attention au travail et faire preuve de bon sens lors de l'utilisation de tout outil électrique. Ne pas utiliser cet appareil en cas de fatigue ou sous l'influence de l'alcool, de drogues ou de médicaments.** Un moment d'inattention pendant l'utilisation d'un outil électrique peut entraîner des blessures graves.

- **Porter l'équipement de protection individuel requis. Toujours porter une protection oculaire.** Selon les conditions, porter aussi un masque anti-poussières, des bottes de sécurité antidérapantes, un casque protecteur ou une protection auditive afin de réduire les blessures.
- **Empêcher les démarrages accidentels. S'assurer que la gâchette est en position d'arrêt avant de brancher l'outil à une source de courant, d'insérer la batterie, de le ramasser ou de le transporter.** Le fait de transporter un outil électrique en gardant le doigt sur la gâchette ou de mettre sous tension un outil électrique lorsque la gâchette est en position de marche favorise les accidents.
- **Retirer les clés de réglage avant de mettre l'outil en marche.** Une clé laissée sur une pièce rotative de l'outil peut causer des blessures.
- **Ne pas travailler hors de portée. Toujours se tenir bien campé et en équilibre.** Une bonne stabilité procure un meilleur contrôle de l'outil électrique en cas d'imprévu.
- **Porter une tenue appropriée. Ne porter ni vêtements amples, ni bijoux. Garder les cheveux et les vêtements à l'écart des pièces en mouvement.** Les vêtements flottants, les bijoux ou les cheveux longs risquent d'être happés par les pièces en mouvement.
- **Si les outils sont équipés de dispositifs de dé poussiérage, s'assurer qu'ils sont connectés et correctement utilisés.** L'utilisation d'un collecteur de poussière permet de réduire les dangers liés à la poussière.
- **Ne pas laisser la familiarité avec l'outil acquise par une utilisation fréquente vous rendre suffisant et vous amener à ignorer les règles de sécurité.** Une utilisation négligée peut causer une blessure grave en une fraction de seconde.

UTILISATION ET ENTRETIEN DE L'OUTIL ÉLECTRIQUE

- **Ne pas forcer l'outil électrique. Utiliser l'outil électrique approprié pour l'application.** Un outil électrique approprié exécutera le travail mieux et de façon moins dangereuse s'il est utilisé dans les limites prévues.
- **Ne pas utiliser l'outil électrique si le commutateur ne permet pas de le mettre en marche ou de l'arrêter.** Tout outil électrique qui ne peut pas être contrôlé par son commutateur est dangereux et doit être réparé.
- **Débrancher l'outil et/ou retirer le bloc-piles, si possible, avant d'effectuer des réglages, de changer d'accessoire ou de remiser l'outil.** Ces mesures de sécurité préventives réduisent les risques de démarrage accidentel de l'outil.
- **Entreposer l'outil électrique hors de la portée des enfants et interdire à quiconque de l'utiliser si la personne ne connaît pas bien le produit ou les instructions.** Les outils électriques sont dangereux dans les mains d'utilisateurs novices.
- **Entretien les outils électriques et les accessoires. Vérifier qu'aucune pièce mobile n'est mal alignée ou bloquée, qu'aucune pièce n'est brisée et s'assurer qu'aucun autre problème risqué d'affecter le bon fonctionnement de l'outil. En cas de dommages, faire réparer l'outil avant de l'utiliser.** Plusieurs accidents sont causés par des produits mal entretenus.

RÈGLES DE SÉCURITÉ PARTICIPIÈRES POUR LES VIBRATEURS À BÉTON

- **Garder les outils bien affûtés et propres.** Des outils correctement entretenus et dont les tranchants sont bien affûtés risquent moins de se bloquer et sont plus faciles à contrôler.
- **Utiliser l'outil électrique, les accessoires, les embouts etc. conformément à ces instructions en tenant compte des conditions de travail et de la tâche à effectuer.** L'usage d'un outil électrique pour des applications pour lesquelles il n'est pas conçu peut être dangereux.
- **Garder les poignées et les surfaces de préhension sèches, propres et exemptes d'huile ou de graisse.** Des poignées et des surfaces de préhension glissantes ne permettent pas de manipuler et de contrôler l'outil en toute sécurité en cas de situation imprévue.

UTILISATION ET ENTRETIEN DE LA BATTERIE

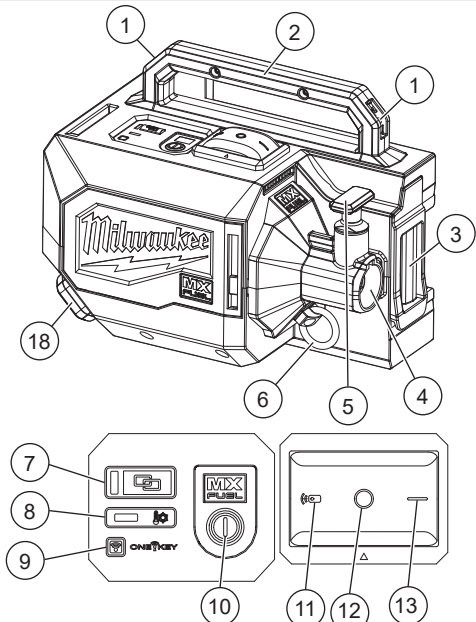
- **Pour recharger le bloc-piles, utiliser seulement le chargeur spécifié par le fabricant.** Un chargeur pouvant convenir à un type de bloc-piles peut entraîner un risque d'incendie lorsqu'il est utilisé avec un autre type de bloc-piles.
- **N'utiliser l'outil électrique qu'avec une batterie recommandée.** L'utilisation de tout autre bloc-piles peut créer un risque de blessures et d'incendie.
- **Lorsque le bloc-piles n'est pas utilisé, le tenir éloigné des objets en métal tels que les trombones, les pièces de monnaie, les clés, les clous, les vis ou d'autres petits objets métalliques qui pourraient connecter les bornes.** Le court-circuitage des bornes d'une pile peut entraîner des brûlures ou un incendie.
- **Éviter tout contact avec le liquide pouvant être éjecté de la pile en cas de manutention abusive. En cas de contact accidentel, rincer immédiatement les parties atteintes avec de l'eau. Si le liquide entre en contact avec les yeux, consulter un médecin.** Le liquide éjecté des piles peut causer des irritations ou des brûlures.
- **N'utiliser aucun bloc-piles ni aucun outil ayant été endommagé ou modifié.** Des piles endommagées ou modifiées peuvent adopter un comportement imprévisible pouvant causer un incendie, une explosion ou le risque de blessures.
- **Ne pas exposer le bloc-piles ou l'outil aux flammes ou à une température excessive.** Une exposition aux flammes ou à une température supérieure à 130°C (265°F) peut causer une explosion.
- **Suivre toutes les instructions de charge et ne pas charger le bloc-piles ou l'outil en dehors de la plage de température spécifiée.** Une charge incorrecte ou à des températures en dehors de la plage spécifiée peut endommager la pile et augmenter le risque d'incendie.

ENTRETIEN

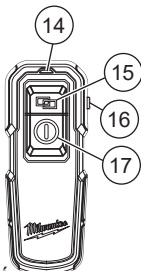
- **Les réparations de l'outil électrique doivent être confiées à un technicien qualifié, utilisant exclusivement des pièces identiques à celles d'origine.** Le maintien de la sûreté de l'outil électrique sera ainsi assuré.
- **Ne jamais effectuer la réparation d'un bloc-piles endommagé.** La réparation du bloc-piles doit être réalisée par le fabricant ou les fournisseurs de service agréés uniquement.

- **⚠ AVERTISSEMENT** Pour réduire les risques de blessures, portez des gants et des bottes de protection lorsque vous travaillez avec du béton humide.
- **Ne pas utiliser d'accessoires qui n'ont pas été spécialement conçus ou recommandés par le fabricant de l'outil.** Le simple fait qu'un accessoire peut s'ajuster sur l'outil électrique ne signifie pas qu'il peut être utilisé en toute sécurité.
- **Toujours installer l'arbre flexible et la tête d'après les instructions du fabricant.** N'utiliser que les accessoires qui conviennent au coupleur de l'outil.
- **S'il est utilisé avec une longe, ne pas dépasser la capacité maximale indiquée sur l'étiquette de la longe.** Toujours vérifier le poids du produit, avec tous ces accessoires, lors de la sélection du système de longe correspondant. Surpasser la capacité maximale pourra entraîner de blessures graves. Veuillez consulter les spécifications afin d'en savoir plus sur le poids de l'outil et la pile.
- **Pour obtenir les meilleurs résultats, utiliser ce produit jumelé aux langes d'amortissement d'énergie.** Les cordes, les courroies et les chaînes pourront se casser et entraîner des échecs. Ne pas l'utiliser avec des langes totalement tendues. Ne pas utiliser des langes dont la longueur dépasse les 0,9 m (3').
- **Risque de brûlure chimique. Gardez la batterie des cellules de hors de la portée des enfants.**
- **Toujours faire preuve de bons sens et procéder avec prudence lors de l'utilisation d'outils.** C'est impossible de prévoir toutes les situations dont le résultat est dangereux. Ne pas utiliser cet outil si vous ne comprenez pas ces instructions d'opération ou si vous pensez que le travail dépasse votre capacité ; veuillez contacter Milwaukee Tool ou un professionnel formé pour recevoir plus d'information ou formation.
- **Maintenir en l'état les étiquettes et les plaques d'identification.** Des informations importantes y figurent. Si elles sont illisibles ou manquantes, contacter un centre de services et d'entretien MILWAUKEE pour un remplacement gratuit.
- **⚠ AVERTISSEMENT** Certaines poussières générées par les activités de ponçage, de coupe, de rectification, de perforage et d'autres activités de construction contiennent des substances considérées être la cause de malformations congénitales et de troubles de l'appareil reproducteur. Parmi ces substances figurent:
 - le plomb contenu dans les peintures à base de plomb;
 - la silice cristalline des briques, du ciment et d'autres matériaux de maçonnerie, ainsi que
 - l'arsenic et le chrome des sciages traités chimiquement.Les risques encourus par l'opérateur envers ces expositions varient en fonction de la fréquence de ce type de travail. Pour réduire l'exposition à ces substances chimiques, l'opérateur doit travailler dans une zone bien ventilée et porter l'équipement de sécurité approprié, tel qu'un masque anti-poussière spécialement conçu pour filtrer les particules microscopiques.

DESCRIPTION FONCTIONNELLE



1. Point de fixation pour la sangle de transport
2. Poignée de transport
3. Couvercle à loquet de bloc-piles
4. Coupleur d'arbre flexible
5. Poignée verrouillable du coupleur
6. Boucle à longe
7. Bouton de couplage
8. DEL à démarrage à froid
9. Indicateur ONE-KEY™
10. Bouton d'armement
11. Position de mode télécommandé
12. Position ARRÊT
13. Position MISE EN MARCHÉ
14. DEL de transmission
15. Bouton de couplage
16. Commutateur « marche/arrêt » télécommandé
17. Bouton « Mise en marche / Arrêt »
18. Rangement de la télécommande
19. Sangle de transport (non illustrée)



PICTOGRAPHIE

- Volts
- Courant direct
- Vibrations par Minute (VPM)
- Lire le manuel d'utilisation
- Porter de l'équipement de protection individuelle (EPI) selon les exigences du chantier.
- Porter une protection oculaire
- Couplage
- DEL à démarrage à froid
- Mode télécommandé
- Position ARRÊT
- Position MISE EN MARCHÉ
- UL Listing Mark pour Canada et États-unis

SPÉCIFICATIONS

No de Cat.	MXF370
Type de batterie	MX FUEL™
Type de chargeur	MX FUEL™
Module/ID de FCC.....	BGM11S/QOQ11
Température ambiante de fonctionnement recommandée	-18°C à 50°C (0°F à 125°F)
Blocs-piles au lithium-ion MX FUEL™ ..	72 V CD
VPM nominales	11 200
Poids (Outil uniquement)	5,5 kg (12,2 lbs)
Poids (Avec le bloc-piles MXFXC406, l'arbre flexible de 6,4 m (21') et la tête de 64 mm (2,5"))	23,2 kg (51,2 lbs)
Arbres flexibles et têtes MILWAUKEE	
Arbre flexible de 2 m (7')	No de Cat. 48-37-7007
Arbre flexible de 3 m (10')	No de Cat. 48-37-7010
Arbre flexible de 4 m (14')	No de Cat. 48-37-7014
Arbre flexible de 6,4 m (21')	No de Cat. 48-37-7021
Tête de 25 mm (1")	No de Cat. 48-37-5010
Tête de 38 mm (1-1/2")	No de Cat. 48-37-5015
Tête de 50 mm (2")	No de Cat. 48-37-5020
Tête de 64 mm (2-1/2")	No de Cat. 48-37-5025
Télécommande No de Cat.	3701
ID de FCC.....	P36-3701
IC	25187-3701
Plage de communication	Jusqu'à 9 m (30')
Type de batterie.....	2xAAA
Tension d'entrée de CD.....	3,0 V

MONTAGE DE L'OUTIL

AVERTISSEMENT Ne recharger la batterie qu'avec le chargeur spécifié. Pour les instructions de charge spécifiques, lire le manuel d'utilisation fourni avec le chargeur et les batteries.

Enlèvement/insertion de la batterie

Pour retirer le bloc-piles, pousser le verrou de loquet de bloc-piles vers un côté et serrer le levier du loquet. Tirer du bloc-piles pour le faire sortir de l'outil.

AVERTISSEMENT Il faut toujours retirer la batterie et verrouiller la détente de l'outil avant de changer ou d'enlever les accessoires.

Pour insérer la batterie, la glisser dans le corps de l'outil. S'assurer qu'elle est fixée solidement.

AVERTISSEMENT L'emploi d'accessoires autres que ceux qui sont expressément recommandés pour cet outil peut comporter des risques.

Fixation de l'arbre flexible

Souvent, les arbres flexibles sont lubrifiés d'un bout par le fabricant. Fixer le bout lubrifié à la machine. Utiliser un arbre flexible d'une taille convenable à la tâche en question.

1. Retirer le bloc-piles. **AVERTISSEMENT** ! Toujours retirer le bloc-piles avant de changer ou d'enlever les accessoires.
2. Ouvrir la poignée verrouillable du coupleur.
3. Mettre l'arbre flexible à l'intérieur du coupleur.
4. Tirer sur l'arbre flexible jusqu'à ce que la poignée verrouillable du coupleur s'engage. (La poignée tombera automatiquement en place avec un « clic » sonore).

Fixation de la tête à l'arbre flexible

1. Retirer le bloc-piles. **AVERTISSEMENT** ! Toujours retirer le bloc-piles avant de changer ou d'enlever les accessoires.
2. Appliquer du mastic sur les filetages de l'arbre flexible afin d'éviter que l'eau pénètre la tête,
3. Enfiler la tête sur l'arbre flexible.
4. Serrer en tenant la partie métallique de l'arbre flexible et les aires plates de la tête.

Mise à dos



1. S'assurer que l'outil à dos se verrouille à la base.
2. Ramasser l'outil à dos par une des bandoulières, faire passer vos bras à travers de chacune des bandoulières.
3. Au moment où vous tenez la machine sur le dos, serrer les bandoulières et la ceinture jusqu'à achever une position confortable et sécuritaire, bien en haut sur votre dos. Connecter la sangle à poitrine.
4. S'assurer que la sangle à poitrine, les bandoulières et la ceinture de fixation soient bien serrées et confortables. Si elles ne sont pas serrées, la machine pourra glisser sur votre dos, ce qui la rendra inconfortable de la porter.
5. Tenir compte que la puissance de la machine ira changer durant son utilisation et mouvement, comme la torsion et le penchement.

Remplacement des piles de la télécommande

Utiliser uniquement de piles alcalines. Ne pas utiliser de piles au zinc-charbon. Si la télécommande ne sera pas utilisée pour une longue période, retirer les piles en tant que mesure de protection contre la corrosion. Pour changer les piles :

1. Ouvrir la porte du compartiment de piles.
2. Insérer les piles, en respectant la polarité indiquée sur le compartiment.
3. Fermer la porte du compartiment de piles.

Couplage de la télécommande

1. Armer la machine.
2. Mettre le commutateur de la machine vers la position (I).
3. Allumer la télécommande.
4. Appuyer, sans relâcher, le bouton de  sur la machine jusqu'à ce que le DEL commence à clignoter (ce qui indiquera que la machine est prête à coupler).
5. Appuyer, sans relâcher, sur le bouton de  sur la télécommande. Le DEL clignotant de la machine deviendra d'une couleur solide et après il s'éteindra au moment où le couplage est correct. **REMARQUE** : Il faut que la télécommande reste à une proximité immédiate, ceci afin de garantir qu'elle puisse capter le signal de la machine. Cette procédure sera interrompue après 30 secondes si la machine n'est pas couplée.

Enlèvement / mise en place du sac à dos

Il est possible d'enlever le sac à dos pour certaines applications ou des tâches de nettoyage localisé. Pour enlever le sac à dos, presser le loquet de sac à dos et tirer sur le sac à dos pour le séparer de la machine. **REMARQUE** : Lors de son utilisation sans le sac à dos, ne pas traîner la machine par l'arbre flexible. Pour installer le sac à dos, aligner le crochet inférieur et fixer le sac à dos sur la base de la machine à l'aide du loquet de sac à dos.

ONE-KEY™

Pour en apprendre plus long sur la fonctionnalité ONE-KEY™ de cet machine, visitez le milwaukeeetool.com/One-Key. Pour télécharger l'application ONE-KEY™, visitez l'App Store® d'Apple ou Google Play™ à l'aide de votre appareil intelligent.

Indicateur ONE-KEY™	
Bleu uni	Le mode sans fil est engagé et prêt pour le configurer à l'aide de l'appli ONE-KEY™.
Bleu clignotant	Machine établit une communication active avec l'appli ONE-KEY™.
Rouge clignotant	Machine a un blocage sécuritaire et ne pourra être débloqué que par le propriétaire à l'aide de l'appli ONE-KEY™.

AVERTISSEMENT Afin de minimiser le risque de blessures, toujours porter la protection oculaire appropriée certifiée conforme à la norme ANSI Z87.1.

Armement de la machine

Les machines MX FUEL™ devront être armées avant de les mettre à l'emploi. Bien que le bloc-piles soit inséré, les fonctions de la machine ne fonctionneront pas jusqu'à ce que l'outil ne soit armé.

Pour armer la machine :

1. Insérer le bloc-piles.
2. Appuyer sur le bouton d'armement. L'icône MX FUEL™ s'allumera.
3. Après 15 minutes d'inactivité, la machine entrera en mode de veille. L'icône MX FUEL™ s'éteindra et les voyants à DEL seront au repos.
4. Appuyer, sans relâcher, le bouton d'armement durant 1 seconde pour réactiver la machine.
5. Appuyer, sans relâcher, le bouton d'armement durant 1 seconde pour désarmer (éteindre) la machine. L'icône MX FUEL™ s'éteindra.

Démarrage et arrêt

1. Armer la machine.
2. Pour **démarrer** la machine, mettre le commutateur vers la position —.
3. Pour **arrêter** la machine, mettre le commutateur vers la position ○.

Démarrage et arrêt (mode télécommandé)

1. Armer la machine.
2. Mettre le commutateur de la machine vers la position (ⓐ).
3. Allumer la télécommande.
4. Pour **démarrer** la machine, appuyer sur le bouton ① dans la télécommande.
5. Pour **arrêter** la machine, appuyer sur le bouton ① dans la télécommande.

DEL à démarrage à froid

Le DEL à démarrage à froid s'allumera lorsque la machine est démarrée en situations ambiantes froides (de moins de 0 °C ou 32 °F). La machine arrivera graduellement aux 10 000 VPM afin d'éviter les arrêts pour nuisance. Quand les VPM auront été de 10 000, le DEL à démarrage à froid s'éteindra. Cette fonction permet que la machine démarre en situations ambiantes de moins de -30 °C ou -4 °F.

Alerte de charge faible

Durant l'utilisation, lorsque la charge est faible (d'une charge restante de 10 % et 2 %), la machine laissera l'utilisateur savoir de ce qui se passe en se démarquant et en s'éteignant (pause). Charger la batterie.

Fonctionnement général

1. Insérer la tête de façon verticale dans le matériel pour laisser qu'il se mette en place, à la profondeur souhaitée, grâce à son propre poids.
2. Le maintenir en place pour 5 à 15 secondes et après, soulever doucement la tête, toujours en restant derrière le mouvement de l'air attrapé, ceci pour ne le rattraper pas.
3. Un doux mouvement du bas vers le haut fermera l'orifice que la tête a formé.
4. Pour éviter agiter l'air dans le matériel, retirer la tête rapidement lorsqu'elle se trouve près de la partie supérieure.
5. Bouger la tête, la réinsérer et répéter cette étape au besoin.

AVERTISSEMENT Pour minimiser les risques de blessures corporelles, débranchez le chargeur et retirez la batterie du chargeur ou de machine avant d'y effectuer des travaux d'entretien. Ne jamais démonter le bloc-piles, le chargeur ou la machine, sauf si ces instructions indiquent faire une telle chose. Pour toute autre réparation, contacter un centre de service de MILWAUKEE.

Entretien de la machine

Garder la machine, le bloc-piles et le chargeur en bon état en les soumettant à un programme d'entretien régulier. Inspecter la machine pour vérifier qu'elle ne fait pas de bruits bizarres, qu'aucune pièce mobile n'est mal alignée ou bloquée, qu'aucune pièce n'est brisée et s'assurer qu'aucun autre problème ne risque d'affecter son bon fonctionnement. Retourner la machine, le chargeur et le bloc-piles à un centre de service MILWAUKEE pour les faire réparer. Après six mois à un an, selon l'utilisation, confier la machine, le bloc-piles et le chargeur à un centre de service MILWAUKEE pour les faire inspecter.

Si l'outil ne démarre pas ou ne fonctionne pas à pleine puissance alors qu'il est branché sur une batterie complètement chargée, nettoyez les points de contact entre la batterie et l'outil. Si l'outil ne fonctionne toujours pas correctement, renvoyez l'outil, le chargeur et la batterie à un centre de service MILWAUKEE accrédité.

ONE-KEY™

AVERTISSEMENT Risque de brûlure chimique. Ce dispositif contient une pile bouton au lithium. Une pile neuve ou usée peut causer des brûlures internes graves entraînant la mort en seulement 2 heures si avalée ou entrée dans le corps. Toujours fixer le couvercle du compartiment des piles. Si le couvercle ne se ferme pas bien, arrêter d'utiliser le dispositif, retirer les piles et les garder hors de la portée des enfants. Si vous soupçonnez que les piles ont été avalées ou entrées dans le corps, consultez immédiatement un médecin.



Pile bouton interne

Une pile bouton interne est utilisée pour faciliter la fonctionnalité ONE-KEY™ complète.

Pour remplacer la pile bouton :

1. Retirer le bloc-piles.
2. Retirer les vis et ouvrir la porte du compartiment de la pile bouton.
3. Retirer la vieille pile bouton, la tenir hors de la portée des enfants et se débarrasser d'elle comme il faut.
4. Mettre la nouvelle pile bouton (3V CR2032), en mettant le pôle positif vers le haut.
5. Fermer la porte du compartiment de la pile et serrer la vis fermement.

⚠ AVERTISSEMENT Pour minimiser les risques de blessures ou de dommages, n'immergez jamais machine, la batterie ou le chargeur et ne laissez pas de liquide s'y infiltrer.

Nettoyage

Débarrassez les tous événements des débris et de la poussière. Gardez les machine propres, à sec et exemptes d'huile ou de graisse. Le nettoyage doit se faire avec un linge humide et un savon doux. Certains nettoyants tels l'essence, la térébenthine, les diluants à laque ou à peinture, les solvants chlorés, l'ammoniaque et les détergents d'usage domestique qui en contiennent pourraient détériorer le plastique et l'isolation des pièces. Ne laissez jamais de solvants inflammables ou combustibles auprès des machines.

Nettoyage du bloc-piles et le compartiment de piles

Maintenir les connexions et les surfaces du bloc-piles qui se trouvent entre machine et la pile exempt de débris ainsi que de matériaux.

Ne pas maintenir les surfaces propres pourra entraîner le désalignement de la connexion du bloc-piles ou bien, endommager la connexion de la pile tout entière.

Réparations

Pour les réparations, retournez la machine au centre de service autorisé le plus proche.

ACCESOIRES

⚠ AVERTISSEMENT L'utilisation d'autres accessoires que ceux qui sont spécifiquement recommandés pour cet outil peut comporter des risques.

Pour une liste complète des accessoires, visiter le site internet www.milwaukeetool.com ou contactez un distributeur.

COMMUNICATION SANS FIL

Conformément à la partie 15.21 des règles FCC, vous êtes averti que les changements ou modifications non expressément approuvés par la partie responsable de la conformité pourraient annuler votre droit à utiliser le produit.

REMARQUE : Après avoir effectué un essai à l'équipement, il a été déterminé que celui-ci est conforme aux normes relatives à un appareil numérique de classe B, selon la partie 15 des règles de la FCC. Ces limites sont conçues pour assurer une protection raisonnable contre les perturbations nuisibles dans une installation résidentielle. Cet équipement produit, utilise et peut irradier une énergie haute fréquence et, s'il n'est pas installé conformément aux présentes instructions, peut causer le brouillage des communications radio. Toutefois, il n'existe aucune garantie que le brouillage ne se produira pas dans une installation donnée. Si cet équipement cause du brouillage de la réception d'émissions de radio ou de télévision, ce qui peut être déterminé en l'éteignant et en le rallumant, il est conseillé que l'utilisateur essaie de corriger le problème en prenant l'une ou plusieurs des mesures suivantes :

- Réorientation de l'antenne réceptrice.
- Augmentation de la distance entre le matériel et le récepteur.
- Branchement du matériel sur un circuit autre que celui sur lequel le récepteur est branché.
- Consulter le concessionnaire ou un technicien radio/TV qualifié pour obtenir de l'aide.

Ce dispositif est conforme à la part 15 du Règlement de la FCC et les normes RSS d'exemption de licence de l'ISED-Canada. Son fonctionnement est soumis aux conditions suivantes : (1) Cet appareil ne doit produire aucun brouillage préjudiciable ; et (2) cet appareil doit fonctionner en dépit de tout brouillage capté, y compris le brouillage pouvant mener à un fonctionnement non désiré.

SERVICE - CANADA

Milwaukee Tool (Canada) Ltd
1.877.948.2360

Monday-Friday, 7:00 AM - 4:30 PM CST
www.milwaukeetool.ca

GARANTIE LIMITÉE - AUX ÉTATS-UNIS ET AU CANADA

Tout produit, bloc-piles et chargeur MX FUEL™ MILWAUKEE sont garantis à l'acheteur d'origine par un distributeur agréé MILWAUKEE d'être exempts uniquement de vice de matériel et de fabrication. Sous réserve de certaines exceptions, MILWAUKEE réparera ou remplacera tout produit, bloc-piles ou chargeur MX FUEL™ qui, après examen, seront confirmés par MILWAUKEE d'être affectés d'un vice de matériel ou de fabrication pour une période de deux (2) ans après la date d'achat. Retourner le produit, le bloc-piles ou le chargeur MX FUEL™ à un centre de service en usine MILWAUKEE ou un poste d'entretien agréé MILWAUKEE, en port préparé et assuré. Pour en savoir plus sur le processus de livraison du bloc-piles, veuillez composer le 1.800.SAWDUST (1.800.729.3878) ou visiter le site www.milwaukeeetool.com. Une copie de la preuve d'achat doit être présentée lors du retour du produit. Cette garantie ne couvre pas les dommages que MILWAUKEE détermine d'être causés par des réparations ou des tentatives de réparation par quiconque d'autre que le personnel agréé par MILWAUKEE, des utilisations incorrectes, des altérations, des utilisations abusives, une usure normale, une carence d'entretien ou des accidents.

Usure normale : Plusieurs produits MX FUEL™ nécessiteront du remplacement et de l'entretien de leurs pièces fréquents afin de jouir de leur rendement optimal. Cette garantie ne couvre pas les réparations lorsque l'utilisation normale a épuisé la vie utile d'une pièce, y compris les courroies d'entraînement et d'assistance, les poulies, les flasques de disques, les joints à vide, les poignées sans outillage, les épingles de chasse, les patins, les coupleurs d'entraînement, les gaines en caoutchouc, l'alimentation automatique, les blocs de stabilisation, les roues, les porte-roues, les cordons, les joints toriques, les embouts, les lames d'entraînement, les pistons, les perceurs, les pousoirs, les porte-outils et les rondelles de protection de bouter.

Il n'est pas nécessaire d'inscrire la garantie pour obtenir la garantie correspondante d'un produit, d'un bloc-piles ou d'un chargeur MX FUEL™. L'ACCEPTATION DES RECOURS EXCLUSIFS DE RÉPARATION ET DE REMPLACEMENT DÉCRITS PAR LA PRÉSENTE EST UNE CONDITION DU CONTRAT D'ACHAT DE TOUT PRODUIT MILWAUKEE. SI VOUS N'ACCEPTÉZ PAS CETTE CONDITION, VOUS NE DEVEZ PAS ACHETER LE PRODUIT. EN AUCUN CAS MILWAUKEE NE SAURAIT ÊTRE RESPONSABLE DE TOUT DOMMAGE ACCESSOIRE, SPÉCIAL OU INDIRECT DE DOMMAGES-INTÉRÊTS PUNITIFS OU DE TOUTE DÉPENSE, D'HONORAIRES D'AVOCATS, DE FRAIS, DE PERTE OU DE DÉLAIS ACCESSOIRES À TOUT DOMMAGE, DÉFAILLANCE OU DÉFAUT DE TOUT PRODUIT, Y COMPRIS NOTAMMENT LES PERTES DE PROFIT. CERTAINS ÉTATS ET PROVINCES NE PERMETTANT L'EXCLUSION OU LA LIMITATION DES DOMMAGES DIRECTS OU INDIRECTS, LES RESTRICTIONS CI-DESSOUS PEUVENT NE PAS ÊTRE APPLICABLES. CETTE GARANTIE EST EXCLUSIVE ET REMPLACE TOUTE AUTRE GARANTIE EXPRESSE, QU'ELLE SOIT VERBALE OU ÉCRITE, DANS LA MESURE PERMISE PAR LA LOI. MILWAUKEE RENONCE À TOUTE GARANTIE IMPLICITE, Y COMPRIS, SANS S'Y LIMITER, TOUTE GARANTIE IMPLICITE DE COMMERCIALISABILITÉ OU D'ADAPTION À UNE UTILISATION OU À UNE FIN PARTICULIÈRE. DANS LA MESURE OU UNE TELLE STIPULATION D'EXONÉRATION N'EST PAS PERMISE PAR LA LOI, LA DURÉE DE CES GARANTIES IMPLICITES EST LIMITÉE À LA PÉRIODE APPLICABLE DE LA GARANTIE EXPRESSE, TELLE QUE CELA EST DÉCRIT PRÉCÉDEMMENT. CERTAINES PROVINCES NE PERMETTANT PAS DE LIMITATION DE DURÉE DES GARANTIES IMPLICITES, LES RESTRICTIONS CI-DESSOUS PEUVENT NE PAS ÊTRE APPLICABLES. LA PRÉSENTE CONFÈRE À L'UTILISATEUR DES DROITS LÉGAUX PARTICULIERS : IL BÉNÉFICIE ÉGALEMENT D'AUTRES DROITS QUI VARIENT D'UNE PROVINCE À L'AUTRE. Cette garantie s'applique uniquement aux produits vendus aux États-Unis et au Canada.

Veuillez consulter l'onglet « Trouver un centre de service » dans la section « Pièces et service » du site web de MILWAUKEE, à l'adresse www.milwaukeeetool.com, ou composer le 1.800.SAWDUST (1.800.729.3878) pour trouver le centre de service le plus proche pour l'entretien, sous garantie ou non, d'un produit, d'un bloc-piles ou d'un chargeur MX FUEL™.

ADVERTENCIAS DE SEGURIDAD GENERALES PARA LA HERRAMIENTA ELÉCTRICA

⚠️ ADVERTENCIA Lea todas las advertencias de seguridad, instrucciones, ilustraciones y especificaciones con esta herramienta eléctrica. Si no sigue todas las advertencias e instrucciones, se pueden provocar una descarga eléctrica, un incendio o lesiones graves. **Guarde todas las advertencias e instrucciones para consultarlas en el futuro.** El término "herramienta eléctrica" en todas las advertencias incluidas más abajo se refiere a su herramienta operada por conexión (cable) a la red eléctrica o por medio de una batería (inalámbrica).

SEGURIDAD EN EL ÁREA DE TRABAJO

- **Mantenga el área de trabajo limpia y bien iluminada.** Las áreas desordenadas u oscuras son propicias para los accidentes.
- **No utilice herramientas eléctricas en atmósferas explosivas, tales como en presencia de líquidos, gases o polvos inflamables.** Las herramientas eléctricas generan chispas que pueden encender el polvo o los vapores.
- **Mantenga a los niños y a los espectadores alejados mientras utiliza una herramienta eléctrica.** Las distracciones pueden ocasionar la pérdida de control.

SEGURIDAD ELÉCTRICA

- **Los enchufes de la herramienta eléctrica deben coincidir con el tomacorriente. Nunca modifique el enchufe de ninguna manera. No utilice adaptadores de enchufe con herramientas eléctricas aterrizadas.** Los enchufes y tomacorrientes correspondientes sin modificar reducirán el riesgo de descarga eléctrica.
- **Evite el contacto corporal con superficies aterrizadas, tales como tuberías, radiadores, estufas y refrigeradores.** Existe un riesgo mayor de descarga eléctrica si su cuerpo está aterrizado.
- **No exponga las herramientas eléctricas a la lluvia ni a condiciones húmedas.** Si se introduce agua en una herramienta eléctrica, aumentará el riesgo de descarga eléctrica.
- **No maltrate el cable. Nunca utilice el cable para cargar, jalar o desconectar la herramienta eléctrica. Mantenga el cable alejado del calor, el aceite, los bordes afilados o las partes en movimiento.** Los cables dañados o enredados aumentan el riesgo de descarga eléctrica.
- **Al utilizar una herramienta eléctrica en exteriores, utilice una extensión adecuada para uso en exteriores.** El uso de una extensión adecuada para el uso en exteriores disminuye el riesgo de descarga eléctrica.
- **Si es inevitable utilizar una herramienta eléctrica en un lugar húmedo, utilice un alimentador de corriente protegido con un interruptor de circuito por falla de conexión a tierra (GFCI).** El uso de un GFCI reduce el riesgo de descarga eléctrica.

SEGURIDAD PERSONAL

- **Manténgase alerta, atento a lo que está haciendo y utilice el sentido común al utilizar una herramienta eléctrica.** No utilice una herramienta eléctrica mientras está cansado o bajo la influencia de drogas, alcohol o medicamentos. Un momento de distracción al utilizar herramientas eléctricas puede ocasionar lesiones personales graves.
- **Utilice equipo de protección personal. Siempre use protección para los ojos.** El equipo de protección, tal como una máscara contra polvo, calzado antideslizante, casco o protección auditiva, utilizado para condiciones adecuadas disminuirá las lesiones personales.
- **Evite el arranque accidental. Asegúrese de que el interruptor esté en la posición de apagado antes de conectarlo a una fuente de poder y/o batería, levantar o trasladar la herramienta.** Trasladar herramientas con el dedo en el interruptor o energizar herramientas eléctricas que tienen el interruptor encendido propicia accidentes.
- **Retire cualquier llave de ajuste antes de entender la herramienta.** Una llave que se deje insertada en una parte giratoria de la herramienta eléctrica puede ocasionar lesiones personales.
- **No estire el cuerpo demasiado. Mantenga un buen contacto entre los pies y el suelo y mantenga el equilibrio en todo momento.** Esto permite un mejor control de la herramienta eléctrica en situaciones inesperadas.
- **Vístase adecuadamente. No utilice ropa o joyería holgada. Mantenga el cabello y la ropa alejados de las partes móviles.** La ropa holgada, las alhajas o el cabello largo pueden quedarse atrapados en las partes móviles.
- **Si se proporcionan dispositivos para la conexión de instalaciones de extracción y recolección de polvo, cerciósese de que estén conectados y se utilicen correctamente.** El uso de dispositivos recolectores de polvo puede disminuir los riesgos relacionados con el polvo.
- **No permita que la familiaridad por el uso frecuente de las herramientas lo hagan sentirse seguro e ignorar los principios de seguridad de las herramientas.** Un descuido puede provocar lesiones graves en una fracción de segundo.

USO Y CUIDADO DE LAS HERRAMIENTAS ELÉCTRICAS

- **No fuerce la herramienta eléctrica. Utilice la herramienta eléctrica correcta para su aplicación.** La herramienta eléctrica correcta realizará el trabajo mejor y con mayor seguridad a la velocidad para la que fue diseñada.
- **No utilice la herramienta eléctrica si el interruptor no la enciende y la apaga.** Cualquier herramienta eléctrica que no pueda controlarse con el interruptor es peligrosa y debe repararse.
- **Desconecte el enchufe de la fuente de energía y/o quite la batería de la herramienta eléctrica, si es posible, antes de realizar cualquier ajuste, cambiar accesorios o almacenar las herramientas eléctricas.** Tales medidas preventivas de seguridad disminuyen el riesgo de que la herramienta eléctrica se encienda accidentalmente.

- **Almacene las herramientas eléctricas que no se estén utilizando fuera del alcance de los niños y no permita que personas que no estén familiarizadas con la herramienta eléctrica o con estas instrucciones la utilicen.** Las herramientas eléctricas son peligrosas en manos de usuarios sin capacitación.
- **Dé mantenimiento a las herramientas eléctricas y accesorios. Verifique que no haya desalinación, amarre de partes móviles, partes rotas o alguna otra condición que pueda afectar el funcionamiento de la herramienta eléctrica. Si se daña, asegúrese de que la herramienta eléctrica sea reparada antes de que se utilice.** Muchos accidentes son ocasionados por herramientas eléctricas con mantenimiento deficiente.
- **Mantenga las herramientas de corte afiladas y limpias.** Las herramientas de corte correctamente mantenidas con bordes de corte afilados son menos propensas a atorarse y son más fáciles de controlar.
- **Utilice la herramienta eléctrica, los accesorios y las puntas, etc. de acuerdo con estas instrucciones, tomando en cuenta las condiciones de trabajo y el trabajo a realizar.** El uso de la herramienta eléctrica para operaciones diferentes a las previstas podría generar una situación peligrosa.
- **Mantenga las empuñaduras y ñas superficies de sujeción secas, limpias y libres de aceite y grasa.** Las empuñaduras y superficies de sujeción resbalosas no permiten el manejo y control seguros de la herramienta en situaciones inesperadas.

USO Y CUIDADO DE LAS HERRAMIENTAS CON BATERÍA

- **Recargue únicamente con el cargador especificado por el fabricante.** Un cargador que es adecuado para un tipo de batería puede crear un riesgo de incendio si se utiliza con otra batería.
- **Utilice las herramientas eléctricas únicamente con baterías específicamente diseñadas.** El uso de cualquier otra batería puede producir un riesgo de lesiones e incendio.
- **Cuando la batería no esté en uso, manténgala alejada de otros objetos metálicos como sujetapapeles, monedas, llaves, clavos, tornillos u otros objetos metálicos pequeños que puedan formar una conexión de una terminal a otra.** Crear un corto entre las terminales de la batería puede ocasionar quemaduras o un incendio.
- **Bajo condiciones de maltrato, el líquido puede ser expulsado de la batería, evite el contacto. En caso de contacto accidental, lave con agua. Si el líquido entra en contacto con los ojos, busque además ayuda médica.** El líquido expulsado de la batería puede causar irritación o quemaduras.
- **No use una batería o herramienta que se haya dañado o modificado.** Las baterías dañadas o modificadas pueden mostrar un comportamiento impredecible, causando incendios, explosión o riesgo de lesión.
- **No exponga una batería o herramienta al fuego o a temperatura excesiva.** La exposición a fuego o temperatura a más de 130° C (265° F) puede causar explosiones.
- **Siga todas las instrucciones de carga y no cargue la batería o la herramienta fuera del rango de temperatura especificado en las instrucciones.** La carga incorrecta o a temperaturas fuera del rango especificado puede dañar la batería y aumentar el riesgo de incendio.

MANTENIMIENTO

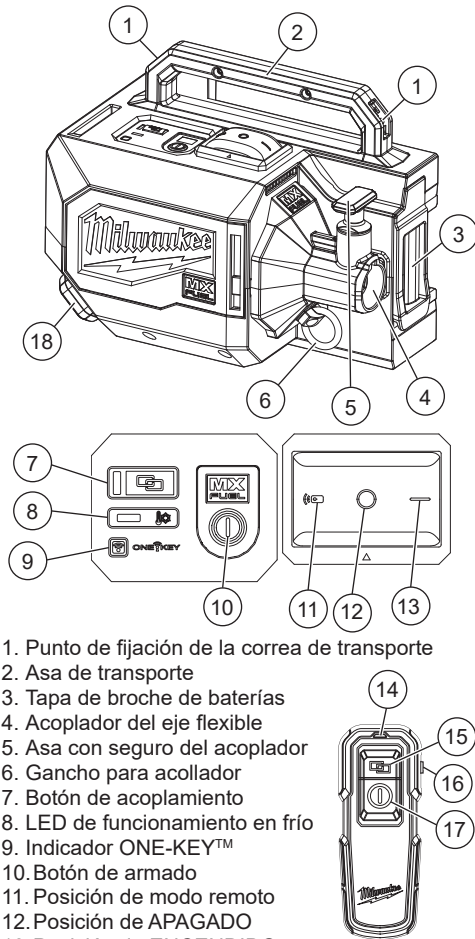
- Lleve su herramienta eléctrica a servicio con un técnico calificado que use únicamente piezas de reemplazo idénticas. Esto asegurará que la seguridad de la herramienta eléctrica se mantenga.
- Nunca dé servicio a baterías dañadas. Únicamente el fabricante o proveedores de servicio autorizados deben dar servicio a las baterías.

REGLAS DE SEGURIDAD ESPECÍFICAS PARA LOS VIBRADORES DE CONCRETO

- **ADVERTENCIA** Para reducir el riesgo de lesiones, use guantes y botas de protección cuando trabaje con concreto húmedo.
- No use accesorios que no estén específicamente diseñados y recomendados por el fabricante de la herramienta. No es suficiente con que el accesorio pueda acoplarse a la herramienta para garantizar una operación segura.
- Siempre instale el eje flexible y el cabezal de acuerdo con lo indicado en las instrucciones del fabricante. Utilice únicamente accesorios que sean compatibles con el acoplador de la herramienta.
- Si utilizará un acollador, no exceda la capacidad máxima indicada en la etiqueta del acollador. Siempre defina el peso del producto, con todos sus accesorios, al momento de seleccionar el sistema de acollador adecuado. Exceder la capacidad máxima puede ocasionar lesiones graves. Consulte las especificaciones acerca de la herramienta y el peso de la batería.
- Para mejores resultados, use este producto en conjunto con los acolladores de absorción de energía. Las cuerdas, correas o cadenas pueden romperse y provocar una falla. No utilice con acolladores cuya longitud sea mayor a 0,9 m (3').
- Riesgo de quemadura química. Mantenga la batería de la celda de monedas lejos de los niños.
- Válgase siempre de su sentido común y sea cuidadoso cuando utilice herramientas. No es posible anticipar todas las situaciones que podrían tener un desenlace peligroso. No utilice esta herramienta si no entiende estas instrucciones de uso o si considera que el trabajo a realizar supera sus capacidades, comuníquese con Milwaukee Tool o con un profesional capacitado para recibir capacitación o información adicional.
- Conserve las etiquetas y las placas nominales. Contienen información importante. Si son ilegibles o no están presentes, comuníquese con un centro de servicio MILWAUKEE para obtener un reemplazo gratuito.
- **ADVERTENCIA** Algunos polvos generados por el lijado eléctrico, aserrado, pulido, taladrado y otras actividades de construcción contienen químicos identificados como causantes de cáncer, defectos congénitos u otros daños reproductivos. Algunos ejemplos de estos químicos son:
 - plomo de pintura basada en plomo
 - dióxido de silicio de los ladrillos y el cemento y otros productos de albañilería y
 - arsénico y cromo de madera con tratamiento químico.










Su riesgo por estas exposiciones varía, dependiendo de la frecuencia con que realice este tipo de trabajo. Para reducir su exposición a estos químicos: trabaje en un área bien ventilada y trabaje con equipo de seguridad aprobado, como mascarillas protectoras contra polvo especialmente diseñadas para filtrar partículas microscópicas.

DESCRIPCIÓN FUNCIONAL



1. Punto de fijación de la correa de transporte
2. Asa de transporte
3. Tapa de broche de baterías
4. Acoplador del eje flexible
5. Asa con seguro del acoplador
6. Gancho para acollador
7. Botón de acoplamiento
8. LED de funcionamiento en frío
9. Indicador ONE-KEY™
10. Botón de armado
11. Posición de modo remoto
12. Posición de APAGADO
13. Posición de ENCENDIDO
14. LED de transmisión
15. Botón de acoplamiento
16. Interruptor de encendido/apagado remoto
17. Botón de encendido/apagado
18. Almacenamiento del control remoto
19. Correa de transporte (no se muestra en la imagen)

SIMBOLOGÍA

	Volts
	Corriente continua
n XXXX min ⁻¹	Vibraciones por Minuto (VPM)
	Leer el manual del operador
	Utilice equipamiento de protección personal (EPP) de acuerdo con los requisitos de la obra.
	Use protección para los ojos
	Acoplamiento
	LED de funcionamiento en frío
	Modo remoto
	Posición de APAGADO
	Posición de ENCENDIDO
	UL Listing Mark para Canadá y Estados Unidos

ESPECIFICACIONES

Cat. No.	MXF370
Tipo de batería	MX FUEL™
Tipo de cargador	MX FUEL™
Módulo/ID de FCC	BGM11S/QOQ11
Temperatura ambiente recomendada para operar	-18°C a 50°C (0°F a 125°F)
Baterías de Li-ion MX FUEL™	72 V CD
VPM nominales	11 200
Rated VPM	11 200
Peso (Herramienta sola)	5,5 kg (12,2 lbs)
Peso (Con la batería MXFXC406, el eje flexible de 6,4 m (21') y el cabezal de 64 mm (2,5")	23,2 kg (51,2 lbs)
Ejes flexibles y cabezales MILWAUKEE	
Eje flexible de 2 m (7')	Cat. No. 48-37-7007
Eje flexible de 3 m (10')	Cat. No. 48-37-7010
Eje flexible de 4 m (14')	Cat. No. 48-37-7014
Eje flexible de 6,4 m (21')	Cat. No. 48-37-7021
Cabezal de 25 mm (1")	Cat. No. 48-37-5010
Cabezal de 38 mm (1-1/2")	Cat. No. 48-37-5015
Cabezal de 50 mm (2")	Cat. No. 48-37-5020
Cabezal de 64 mm (2-1/2")	Cat. No. 48-37-5025
Control remoto Cat. No.3701	
ID de FCC	P36-3701
IC	25187-3701
Rango de comunicación	Hasta de 9 m (30')
Tipo de baterías	2xAAA
Voltaje de entrada de CD	3,0 V

ENSAMBLAJE

⚠ ADVERTENCIA Recargue la batería sólo con el cargador especificado para ella. Para instrucciones específicas sobre cómo cargar, lea el manual del operador suministrado con su cargador y la batería.

Retiro/inserción de la batería

Para retirar la batería, presione el seguro del broche para moverlo hacia un lado y apriete la palanca del broche. Jale la batería para sacarla de la herramienta.

⚠ ADVERTENCIA Para reducir el riesgo de lesiones, extraiga siempre la batería antes de acoplar o desacoplar accesorios. Para introducir la batería, deslícela en el cuerpo de la herramienta. Asegúrese de que quede bien firme en su posición.

⚠ ADVERTENCIA Utilice únicamente accesorios específicamente recomendados para esta herramienta. El uso de accesorios no recomendados podría resultar peligroso.

Fijación del eje flexible

El fabricante suele lubricar un extremo de los ejes flexibles. Fije el extremo lubricado a la máquina. Utilice un eje flexible cuya longitud sea idónea para su proyecto.

1. Retire la batería. **⚠ ADVERTENCIA!** Siempre retire la batería antes de cambiar o retirar los accesorios.
2. Abra el asa con seguro del acoplador.
3. Coloque el eje flexible dentro del acoplador.
4. Jale el eje flexible hasta que se enganche el asa con seguro del acoplador. (El asa se asentará en su lugar automáticamente y se escuchará un "clic").

Fijación del cabezal al eje flexible

1. Retire la batería. **⚠ ADVERTENCIA!** Siempre retire la batería antes de cambiar o retirar los accesorios.
2. Coloque una capa de sellador en los enhebrados del eje flexible para evitar que entre agua en el cabezal.
3. Enhebre el cabezal en el eje flexible.
4. Apriete sosteniendo la parte metálica del eje flexible y las partes planas del cabezal.

Colocación de la mochila

1. Asegúrese de que la mochila esté perfectamente fija en la base.
2. Levante la mochila por una de las correas para hombros y deslice los brazos a través de cada correa.
3. Con la máquina en la espalda, apriete las correas de los hombros y la cintura hasta que queden ajustadas y firmes, en la parte superior de la espalda. Conecte la correa del pecho.
4. Asegúrese de que las correas de los hombros, el pecho y la cintura estén ajustadas pero sean cómodas; si están demasiado flojas, la máquina puede deslizarse sobre su espalda, por lo que será incómodo llevarla en la espalda.
5. Tenga en cuenta que la potencia de la máquina podrá cambiar durante su uso y movimiento, como la torsión o el doblez.

Cambio de baterías del control remoto

Use solamente baterías alcalinas. No utilice baterías de zinc-carbón. Si no se usará el control remoto durante mucho tiempo, retire las baterías como medida de protección contra la corrosión.

Para cambiar las baterías:

1. Abra el compartimiento de pilas.
2. Inserte las baterías según la polaridad que figura en el compartimento.
3. Cierre el compartimiento de las baterías.

Acoplamiento del control remoto

1. Arme la máquina.
 2. Coloque el interruptor de la máquina en la posición (I).
 3. Encienda el control remoto.
 4. Mantenga presionado el botón de (E) de la máquina hasta que el LED empiece a parpadear (que indicará que la máquina está lista para acoplarse).
 5. Mantenga presionado el botón de (E) en el control remoto. El DEL parpadeante en la máquina tendrá un color sólido y después, se apagará cuando el control remoto esté acoplado correctamente.
- NOTA:** Es necesario que el control remoto se encuentre cerca para garantizar que capte la señal de la máquina. Este procedimiento se interrumpirá después de 30 segundos si la máquina no se acopla.

Retiro / instalación de la mochila

Es posible separar la mochila para ciertas aplicaciones o para tareas de limpieza local.

Para **quitar** la mochila, apriete el pestillo de la mochila y jale la mochila para separarla de la máquina.

NOTA: Cuando se utilice sin la mochila, no arrastre la máquina jalándola por el eje flexible.

Para **instalar** la mochila, alinee el gancho inferior y fije la mochila a la base de la máquina con el pestillo de mochila.

ONE-KEY™

Para obtener más información acerca de la funcionalidad de ONE-KEY™ para esta máquina, visite milwaukee.com/One-Key. Para descargar la aplicación ONE-KEY™, visite la App Store® o Google Play™ desde su dispositivo inteligente.

Indicador ONE-KEY™	
Azul fijo	El modo inalámbrico está activo y listo para configurar a través de la aplicación ONE-KEY™.
Azul intermitente	La máquina tiene una comunicación activa con la aplicación ONE-KEY™.
Rojo intermitente	La máquina tiene activo el bloqueo de seguridad y sólo podrá desbloquearla el dueño a través de la aplicación ONE-KEY™.

OPERACIÓN

⚠️ ADVERTENCIA Con el fin de minimizar el riesgo de lesiones, siempre utilice la protección de ojos adecuada indicada para cumplir con lo dispuesto en la norma ANSI Z87.1.

Armado de la máquina

Es necesario armar las máquinas MX FUEL™ antes de usarlas. Aun cuando se haya colocado la batería, las funciones de la máquina no funcionarán hasta que no se haya armado la máquina.

Para armar la máquina:

1. Inserte la batería.
2. Oprima el botón de armado. Se encenderá el icono MX FUEL™.
3. Después de 15 minutos de inactividad, la máquina entrará en modo de suspensión. Se apagará el icono MX FUEL™ y se desactivarán las luces LED.
4. Mantenga presionado el botón de armado durante 1 segundo para reactivar la máquina.
5. Mantenga presionado el botón de ARMADO durante 1 segundo para desarmar (apagar) la máquina. Se apagará el icono MX FUEL™.

Encendido y apagado

1. Arme la máquina.
2. Para **encender** la máquina, coloque el interruptor en la posición —.
3. Para **apagar** la máquina, coloque el interruptor en la posición ○.

Encendido y apagado (modo remoto)

1. Arme la máquina.
2. Coloque el interruptor de la máquina en la posición de (I).
3. Encienda el control remoto.
4. Para **encender** la máquina, presione el botón de (I) en el control remoto.
5. Para **apagar** la máquina, presione el botón de (O) en el control remoto.

LED de funcionamiento en frío

El LED de funcionamiento en frío se encenderá cuando la máquina se encienda en condiciones de frío (de menos de 0 °C de 32 °F). La máquina llegará gradualmente a 10 000 VPM con el fin de evitar los apagones molestos. Cuando se llegue a las 10 000 VPM, la LED de funcionamiento en frío se apagará. Esta función permitirá que la máquina arranque en temperaturas menores a -20 °C o -4 °F.

Alerta de batería baja

Durante su uso, cuando la carga esté por acabarse (con una carga restante de 10 % a 2 %), la máquina informará al usuario apagándose y encendiéndose (modo en pausa). Cargue la batería.

Operación general

1. Inserte el cabezal en vertical dentro del material para permitir que el cabezal se asiente en la profundidad deseada con su propio peso.
2. Manténgalo en su lugar entre 5 y 15 segundos y después, levante lentamente el cabezal, siempre un poco después del movimiento del aire atrapado, esto para que no vuelva a atraparlo.
3. Un ligero movimiento hacia arriba y hacia abajo cerrará el orificio que forme el cabezal.
4. Para evitar que se agite el aire dentro del material, retire rápidamente el cabezal cuando esté cerca de la parte superior.
5. Mueva el cabezal, vuelva a colocarlo y repita el proceso conforme lo desee.

MANTENIMIENTO

⚠ ADVERTENCIA Para reducir el riesgo de una lesión, desconecte siempre la máquina antes de darle cualquier mantenimiento. Nunca desarme la batería, el cargador o la máquina, salvo que así lo indiquen estas instrucciones. Comuníquese con un centro de servicio de MILWAUKEE para todas las demás reparaciones.

Mantenimiento de la máquina

Mantenga su máquina, batería y cargador en buenas condiciones al adoptar un programa periódico de mantenimiento. Revise que no haya problemas en su máquina como ruido excesivo, desalineación, amarre de partes móviles, piezas rotas o alguna otra condición que pueda afectar su funcionamiento. Regrese la máquina, batería y cargador a un centro de servicio MILWAUKEE para su reparación. Después de seis meses a un año, dependiendo del uso, devuelva la máquina, la batería y el cargador a un centro de servicio MILWAUKEE para su revisión.

ONE-KEY™

⚠ ADVERTENCIA Riesgo de quemadura química. Este dispositivo contiene una batería de botón/tipo moneda de litio. Una batería nueva o usada puede causar quemaduras internas graves y causar la muerte tan solo en 2 horas si se ingiere o entra al cuerpo. Siempre asegure la cubierta de la batería. Si no se cierra con firmeza, deje de usar el dispositivo, retire las baterías y manténgala alejada de los niños. Si cree que las baterías pudieron ser ingeridas o entraron al cuerpo, busque atención médica de inmediato.



Batería interna tipo moneda

Se usa una batería interna tipo moneda para facilitar la funcionalidad completa de ONE-KEY™.

Para cambiar la batería tipo moneda:

1. Retire la batería.
2. Retire los tornillos y abra la puerta del compartimiento de la batería tipo moneda.
3. Retire la batería tipo moneda anterior, manténgala fuera del alcance de los niños y deshágase de ella de la manera correcta.
4. Inserte la nueva batería tipo moneda (3V CR2032), con el lado positivo hacia arriba.
5. Cierre la tapa de la batería y apriete el tornillo (s) con firmeza.

⚠ ADVERTENCIA Para reducir el riesgo de lesiones, descarga eléctrica o daño a la máquina, nunca la sumerja en líquidos ni permita que estos fluyan dentro de la misma.

Limpieza

Limpie el polvo y los cualquier desechos de las rejillas. Mantenga las asas limpias, secas y sin aceite o grasa. Use solamente jabón suave y un paño húmedo para limpiar, puesto que ciertos agentes de limpieza y solventes son dañinos para los plásticos y otras piezas aisladas. Algunos de ellos incluyen gasolina, trementina, adelgazador de barniz, adelgazador de pintura, solventes de limpieza con cloro, amoníaco y detergentes caseros que contienen amoníaco. No rocíe ni la máquina ni la batería. Nunca utilice solventes inflamables o combustibles cerca de las máquinas.

Limpieza de la batería y el compartimiento

Mantenga las conexiones y superficies de la batería que están entre esta y la máquina libres de residuos y materiales.

No tener limpias las superficies podrá causar una desalineación o daños en la conexión de la batería.

Reparaciones

Para reparaciones, devuelva la máquina al centro de servicio autorizado más cercano.

ACCESORIOS

⚠ ADVERTENCIA Utilice sólo los accesorios específicamente recomendados. Otros accesorios puede ser peligroso.

Para una lista completa de accesorios, visite nuestro sitio en Internet: www.milwaukeetool.com o póngase en contacto con un distribuidor.

COMUNICACIÓN INALÁMBRICA

De conformidad con la parte 15.21 de las Reglas de la FCC, se le advierte que los cambios o modificaciones no aprobados expresamente por la parte responsable del cumplimiento podrían anular su autoridad para operar el producto.

NOTA: Este equipo ha sido probado y se ha encontrado que cumple con los límites de un dispositivo digital de Clase B, en cumplimiento con la parte 15 de las reglas de la FCC. Estos límites están diseñados para proporcionar protección razonable contra la interferencia nociva en una instalación residencial. Este equipo genera, usa y puede irradiar energía de radiofrecuencia y, si no se instala y se utiliza de acuerdo con las instrucciones, puede ocasionar interferencia nociva con las comunicaciones por radio. Sin embargo, no existe garantía de que no ocurrirá interferencia en una instalación en particular. Si este equipo ocasiona interferencia nociva con la recepción de radio o televisión que pueda determinarse encendiendo y apagando el equipo, se anima al usuario a intentar corregir la interferencia mediante una o más de las siguientes medidas:

- Reorientar o reubicar la antena receptora.
- Aumentar la distancia entre el equipo y el receptor.
- Conectar el equipo a un tomacorriente que esté en un circuito diferente a donde está conectado el receptor.
- Consulte al distribuidor o a un técnico experimentado de radio/TV para solicitar ayuda

Este dispositivo cumple con la parte 15 de las normas de la FCC y los estándares RSS exentos de licencia de ISED-Canada. La operación está sujeta a las siguientes dos condiciones: (1) este dispositivo no debe ocasionar interferencia nociva y (2) este dispositivo debe aceptar cualquier interferencia que se reciba, incluyendo la interferencia que pueda ocasionar operación indeseada.

SOPORTE DE SERVICIO - MEXICO

CENTRO DE ATENCION A CLIENTES

Technronic Industries Mexico, S.A. de C.V.

Av. Presidente Masarik 29 Piso 7

11560 Polanco V Seccion

Miguel Hidalgo, Distrito Federal, México

01 (800) 030-7777 o (55) 4160-3540

Lunes a Viernes (9am a 6pm)

O contáctanos en www.milwaukeetool.com.mx

GARANTÍA LIMITADA - E.U.A. Y CANADA

Todo producto, batería y cargador MX FUEL™ MILWAUKEE están garantizados ante el comprador original por un distribuidor autorizado MILWAUKEE únicamente de que no tenga material y mano de obra defectuosos. Con algunas excepciones, MILWAUKEE reparará o cambiará un producto, batería o cargador MX FUEL™ que tenga material o mano de obra defectuosos, según lo determine MILWAUKEE mediante una revisión, por un periodo de dos (2) años después de la fecha de compra. Devuelva el producto, la batería o el cargador MX FUEL™ a un centro de servicio de fábrica MILWAUKEE o a una estación de servicio autorizada MILWAUKEE, con flete prepagado y asegurado. Para fines de un envío correcto de baterías, llame al 1.800.SAWDUST (1.800.729.3878) o visite www.milwaukeeetool.com. Se debe incluir una copia del comprobante de compra con el producto devuelto. Esta garantía no aplica a daños que MILWAUKEE determine que son ocasionados por reparaciones o intentos de reparaciones realizados por una persona que no sea personal autorizado de MILWAUKEE, uso indebido, alteraciones, maltrato, desgaste normal, falta de mantenimiento o accidentes.

Desgaste normal: Muchos productos MX FUEL™ necesitan cambios de piezas y mantenimiento periódicos para alcanzar su máximo rendimiento. Esta garantía no cubre reparaciones cuando el uso normal haya agotado la vida útil de una pieza que incluye, entre otros, las bandas de accionamiento y de asistencia, las poleas, las bridas de disco, las juntas de vacío, las empuñaduras sin herramientas, los broches de guía, los patines, los acopladores de accionamiento, las zapatas de hule, la alimentación automática, los bloques estabilizadores, las ruedas, las ruedas de transportación, los cables, los juntas tóricas, los sellos, los protectores, las hojas de accionamiento, los pistones, los percutores, los levantadores, los portaherramientas y las arandelas de cubierta de los protectores.

No es necesario realizar el registro de la garantía para recibir la garantía correspondiente a un producto, batería o cargador MX FUEL™. LA ACEPTACIÓN DE LOS RESARCIMIENTOS EXCLUSIVOS DE REPARACIÓN Y SUSTITUCIÓN AQUÍ DESCRITOS ES UNA CONDICIÓN DEL CONTRATO EN CUANTO A LA COMPRA DE TODO PRODUCTO DE MILWAUKEE. SI USTED NO ACEPTA ESTA CONDICIÓN, NO DEBE COMPRAR EL PRODUCTO. MILWAUKEE NO SERÁ RESPONSABLE EN NINGÚN CASO DE DAÑOS INCIDENTALES, ESPECIALES, EMERGENTES O PUNITIVOS NI DE NINGÚN COSTO, HONORARIOS DE ABOGADOS, GASTOS, PÉRDIDAS O DEMORAS QUE SUPUESTAMENTE SEAN CONSECUENCIA DE ALGUNO DAÑO, FALLA O DEFECTO DE ALGUNO DE LOS PRODUCTOS, INCLUYENDO, ENTRE OTROS, RECLAMACIONES POR PÉRDIDA DE UTILIDADES. ALGUNOS ESTADOS NO PERMITEN LA EXCLUSIÓN O LIMITACIÓN DE RESPONSABILIDAD POR DAÑOS INCIDENTALES O EMERGENTES, POR LO QUE LA ANTERIOR LIMITACIÓN O EXCLUSIÓN PODRÍA NO APLICARSE EN SU CASO. ESTA GARANTÍA ES EXCLUSIVA Y SUSTITUYE TODAS LAS DEMÁS GARANTÍAS EXPRESAS, SEAN ESTAS ESCRITAS U ORALES, HASTA DONDE PERMITA LA LEY, MILWAUKEE DESCONOCE CUALQUIER GARANTÍA IMPLÍCITA, INCLUYENDO, SIN LIMITACIÓN, CUALQUIER GARANTÍA IMPLÍCITA DE COMERCIABILIDAD O IDONEIDAD PARA UN FIN O USO ESPECÍFICO: HASTA EN QUE DICHO DESCONOCIMIENTO NO SEA PERMITIDO POR LA LEY, DICHAS GARANTÍAS IMPLÍCITAS SE LIMITAN A LA DURACIÓN DE LA GARANTÍA EXPRESA CORRESPONDIENTE SEGÚN LO ARRIBA DESCRITO. ALGUNOS ESTADOS NO PERMITEN LIMITACIONES EN LA VIGENCIA DE UNA GARANTÍA IMPLÍCITA, POR LO QUE LA ANTERIOR LIMITACIÓN PUDIERA NO APLICAR A USTED. ESTA GARANTÍA LE CONFIERE DERECHOS JURÍDICOS ESPECÍFICOS Y USTED PODRÍA, ADEMÁS, TENER OTROS DERECHOS QUE VARIAN SEGÚN EL ESTADO.

Esta garantía aplica únicamente a los productos vendidos en EE. UU. y Canadá.

Consulte la pestaña "Búsqueda de centros de servicio" en la sección "Piezas y servicio" del sitio web de MILWAUKEE en www.milwaukeeetool.com o llame al 1.800.SAWDUST (1.800.729.3878) para localizar su centro de servicio más cercano para darle servicio, con o sin garantía, a un cargador, a una batería o a un producto MX FUEL™.

PÓLIZA DE GARANTÍA - VALIDA SOLO PARA MÉXICO, AMÉRICA CENTRAL Y EL CARIBE

La garantía de TECHTRONIC INDUSTRIES es por 2 años a partir de la fecha original de compra.

Esta tarjeta de garantía cubre cualquier defecto de material y mano de obra en ese Producto.

Para hacer válida esta garantía, presente esta tarjeta de garantía, cerrada/sellada por el distribuidor o la tienda donde compró el producto, al Centro de Servicio Autorizado (ASC). O, si esta tarjeta no se ha cerrado/sellado, presente la prueba original de compra a ASC. Llame 55 4160-3547 para encontrar el ASC más cercano, para servicio, partes, accesorios o componentes.

Procedimiento para hacer válida esta garantía

Lleve el producto a ASC, junto con la tarjeta de garantía cerrada/sellada por el distribuidor o la tienda donde compró el producto, y cualquier pieza o componente defectuoso se reemplazará sin costo para usted. Cubriremos todos los costos de flete con relación a este proceso de garantía.

Excepciones

Esta garantía no tendrá validez en las siguientes situaciones:

- Quando el producto se use de manera distinta a la que indica el manual del usuario final o de instrucciones.
- Quando las condiciones de uso no sean normales.
- Quando otras personas no autorizadas por TECHTRONIC INDUSTRIES modifiquen o reparen el producto.

Nota: si el juego de cables está dañado, tiene que reemplazarse en un Centro de Servicio Autorizado para evitar riesgos eléctricos.

CENTRO DE SERVICIO Y ATENCIÓN

Llame al 55 4160-3547

IMPORTADO Y COMERCIALIZADO POR
TECHTRONIC INDUSTRIES, MÉXICO, S.A. DE C.V.
Miguel de Cervantes Saavedra No.301 Piso 5, Torre Norte
11520 Colonia Ampliación Granada
Miguel Hidalgo, Ciudad de Mexico, Mexico

Modelo: _____

Fecha de Compra: _____

Sello del Distribuidor: _____

MILWAUKEE TOOL
13135 West Lisbon Road
Brookfield, WI 53005 USA

58140269d2
04/23

961015332-02(A)
Printed in Mexico