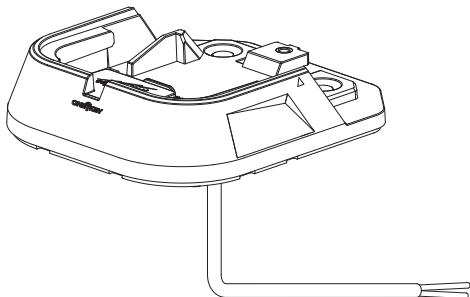
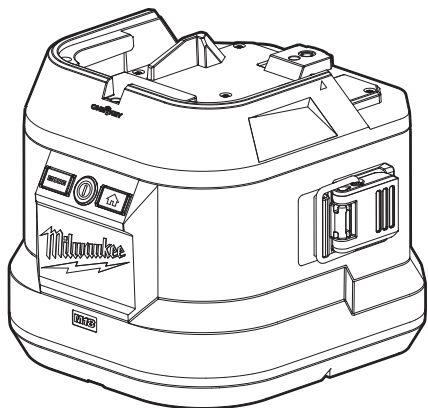
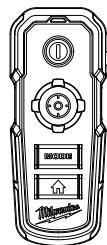
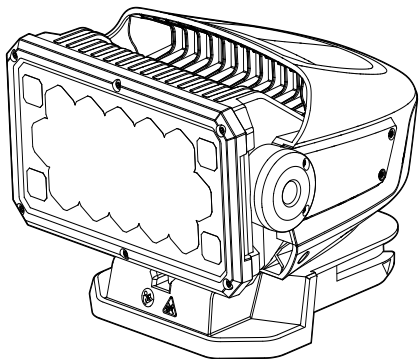




OPERATOR'S MANUAL
MANUEL de L'UTILISATEUR
MANUAL del OPERADOR



Cat. No. / No de cat.
2123-20

M18™ UTILITY REMOTE CONTROL SEARCH LIGHT
PROJECTEUR UTILITAIRE TÉLÉCOMMANDÉ M18™
PROYECTOR UTILITARIO CON CONTROL REMOTO M18™



WARNING To reduce the risk of injury, user must read and understand operator's manual.

AVERTISSEMENT Afin de réduire le risque de blessures, l'utilisateur doit lire et bien comprendre le manuel.

ADVERTENCIA Para reducir el riesgo de lesiones, el usuario debe leer y entender el manual.

GENERAL POWER TOOL SAFETY WARNINGS

WARNING Read all safety warnings, instructions, illustrations and specifications provided with this power tool. Failure to follow all instructions listed below may result in electric shock, fire and/or serious injury. **Save all warnings and instructions for future reference.** The term "power tool" in the warnings refers to your mains-operated (corded) power tool or battery-operated (cordless) power tool.

WORK AREA SAFETY

- **Keep work area clean and well lit.** Cluttered or dark areas invite accidents.
- **Do not operate power tools in explosive atmospheres, such as in the presence of flammable liquids, gases or dust.** Power tools create sparks which may ignite the dust or fumes.
- **Keep children and bystanders away while operating a power tool.** Distractions can cause you to lose control.

ELECTRICAL SAFETY

- **Power tool plugs must match the outlet.** Never modify the plug in any way. Do not use any adapter plugs with earthed (grounded) power tools. Unmodified plugs and matching outlets will reduce risk of electric shock.
- **Avoid body contact with earthed or grounded surfaces, such as pipes, radiators, ranges and refrigerators.** There is an increased risk of electric shock if your body is earthed or grounded.
- **Do not expose power tools to rain or wet conditions.** Water entering a power tool will increase the risk of electric shock.
- **Do not abuse the cord.** Never use the cord for carrying, pulling or unplugging the power tool. **Keep cord away from heat, oil, sharp edges or moving parts.** Damaged or entangled cords increase the risk of electric shock.
- **When operating a power tool outdoors, use an extension cord suitable for outdoor use.** Use of a cord suitable for outdoor use reduces the risk of electric shock.
- **If operating a power tool in a damp location is unavoidable, use a ground fault circuit interrupter (GFCI) protected supply.** Use of an GFCI reduces the risk of electric shock.

PERSONAL SAFETY

- **Stay alert, watch what you are doing and use common sense when operating a power tool. Do not use a power tool while you are tired or under the influence of drugs, alcohol or medication.** A moment of inattention while operating power tools may result in serious personal injury.
- **Use personal protective equipment. Always wear eye protection.** Protective equipment such as a dust mask, non-skid safety shoes, hard hat or hearing protection used for appropriate conditions will reduce personal injuries.
- **Prevent unintentional starting. Ensure the switch is in the off-position before connecting to power source and/or battery pack, picking up or carrying the tool.** Carrying power tools with your finger on the switch or energizing power tools that have the switch on invites accidents.

- **Remove any adjusting key or wrench before turning the power tool on.** A wrench or a key left attached to a rotating part of the power tool may result in personal injury.
- **Do not overreach. Keep proper footing and balance at all times.** This enables better control of the power tool in unexpected situations.
- **Dress properly. Do not wear loose clothing or jewelry. Keep your hair and clothing away from moving parts.** Loose clothes, jewelry or long hair can be caught in moving parts.
- **If devices are provided for the connection of dust extraction and collection facilities, ensure these are connected and properly used.** Use of dust collection can reduce dust-related hazards.
- **Do not let familiarity gained from frequent use of tools allow you to become complacent and ignore tool safety principles.** A careless action can cause severe injury within a fraction of a second.

POWER TOOL USE AND CARE

- **Do not force the power tool. Use the correct power tool for your application.** The correct power tool will do the job better and safer at the rate for which it was designed.
- **Do not use the power tool if the switch does not turn it on and off.** Any power tool that cannot be controlled with the switch is dangerous and must be repaired.
- **Disconnect the plug from the power source and/or remove the battery pack, if detachable, from the power tool before making any adjustments, changing accessories, or storing power tools.** Such preventive safety measures reduce the risk of starting the power tool accidentally.
- **Store idle power tools out of the reach of children and do not allow persons unfamiliar with the power tool or these instructions to operate the power tool.** Power tools are dangerous in the hands of untrained users.
- **Maintain power tools and accessories. Check for misalignment or binding of moving parts, breakage of parts and any other condition that may affect the power tool's operation. If damaged, have the power tool repaired before use.** Many accidents are caused by poorly maintained power tools.
- **Keep cutting tools sharp and clean.** Properly maintained cutting tools with sharp cutting edges are less likely to bind and are easier to control.
- **Use the power tool, accessories and tool bits etc. in accordance with these instructions, taking into account the working conditions and the work to be performed.** Use of the power tool for operations different from those intended could result in a hazardous situation.
- **Keep handles and grasping surfaces dry, clean and free from oil and grease.** Slippery handles and grasping surfaces do not allow for safe handling and control of the tool in unexpected situations.

BATTERY TOOL USE AND CARE

- **Recharge only with the charger specified by the manufacturer.** A charger that is suitable for one type of battery pack may create a risk of fire when used with another battery pack.
- **Use power tools only with specifically designated battery packs.** Use of any other battery packs may create a risk of injury and fire.

- **When battery pack is not in use, keep it away from other metal objects, like paper clips, coins, keys, nails, screws or other small metal objects, that can make a connection from one terminal to another.** Shorting the battery terminals together may cause burns or a fire.
- **Under abusive conditions, liquid may be ejected from the battery; avoid contact. If contact accidentally occurs, flush with water. If liquid contacts eyes, additionally seek medical help.** Liquid ejected from the battery may cause irritation or burns.
- **Do not use a battery pack or tool that is damaged or modified.** Damaged or modified batteries may exhibit unpredictable behavior resulting in fire, explosion or risk of injury.
- **Do not expose a battery pack or tool to fire or excessive temperature.** Exposure to fire or temperature above 265°F (130°C) may cause explosion.
- **Follow all charging instructions and do not charge the battery pack or tool outside the temperature range specified in the instructions.** Charging improperly or at temperatures outside the specified range may damage the battery and increase the risk of fire.

SERVICE

- **Have your power tool serviced by a qualified repair person using only identical replacement parts.** This will ensure that the safety of the power tool is maintained.
- **Never service damaged battery packs.** Service of battery packs should only be performed by the manufacturer or authorized service providers.

SPECIFIC SAFETY RULES FOR SEARCH LIGHT

- **Do not use magnet for horizontal overhead mounting.**
- **This light should not be illuminated while driving on public roads except when authorized for emergency situations. Check local motor vehicle and traffic regulations for your area of operation.**
- **Weatherproof and UV resistant.**
- **Always use common sense and be cautious when using tools.** It is not possible to anticipate every situation that could result in a dangerous outcome. Do not use this tool if you do not understand these operating instructions or you feel the work is beyond your capability; contact Milwaukee Tool or a trained professional for additional information or training.
- **Maintain labels and nameplates.** These carry important information. If unreadable or missing, contact a MILWAUKEE service facility for a free replacement.

FC Federal Communications Commission
WARNING: Changes or modifications to this unit not expressly approved by the party responsible for compliance could void the user's authority to operate the equipment.

This device complies with Part 15 of the FCC Rules. Operation is subject to the following two conditions: (1) this device may not cause harmful interference, and (2) this device must accept any interference received, including interference that may cause undesired operation.

NOTE: This equipment has been tested and found to comply with the limits for a Class A digital device, pursuant to part 15 of the FCC Rules. These limits are designed to provide reasonable protection against harmful interference when the equipment is operated in a commercial environment. This equipment generates, uses, and can radiate radio frequency energy and, if not installed and used in accordance with the instruction manual, may cause harmful interference to radio communications. Operation of this equipment in a residential area is likely to cause harmful interference in which case the user will be required to correct the interference at his own expense.

Canadian RSS-210






This device complies with RSS-210 of the Industry Canada Rules. Operation is subject to the following conditions:

- 1) this device may not cause interference and
- 2) this device must accept any interference, including interference that may cause undesired operation of the device.

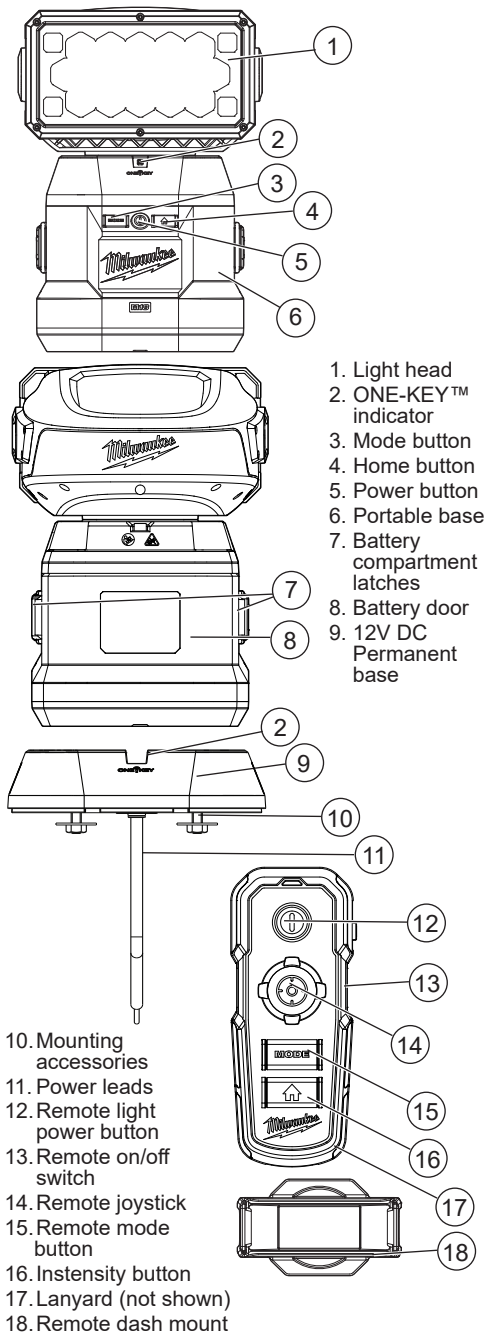
SPECIFICATIONS

Cat. No.	2123-20
Module/FCC ID.	BGM11S/QOQ11
Recommended Ambient Operating Temperature.	0°F to 125°F
M18™ Portable Base	49-16-2123
Battery Type	M18™
Charger Type	M18™
DC Input Volts	18 V
Max DC Input Amps	3.0
12V DC Permanent Base	49-16-2123P
DC Input Volts	12/18 V
Max DC Input Amps	5.0
Remote	49-16-2123R
Battery Type	AAA
DC Input Volts	1.5 V

SYMBOLGY

	Volts
	Direct Current
	Read operator's manual
	CAUTION Do not stare at operating light source
	Federal Communications Commission

FUNCTIONAL DESCRIPTION



1. Light head
2. ONE-KEY™ indicator
3. Mode button
4. Home button
5. Power button
6. Portable base
7. Battery compartment latches
8. Battery door
9. 12V DC Permanent base
10. Mounting accessories
11. Power leads
12. Remote light power button
13. Remote on/off switch
14. Remote joystick
15. Remote mode button
16. Intensity button
17. Lanyard (not shown)
18. Remote dash mount

ASSEMBLY

▲WARNING Recharge only with the charger specified for the battery. For specific charging instructions, read the operator's manual supplied with your charger and battery.

Removing/Inserting the Battery

To **remove** the battery, lift the battery door latches and open the battery door. Push in the battery release buttons and pull the battery pack away from the tool. Close the battery door and relatch the door latches securely.

▲WARNING Always remove battery pack before changing or removing accessories.

To **insert** the battery, lift the battery door latches and open the battery door. Slide the pack into the body of the tool. Make sure it latches securely into place. Close the battery door and relatch the door latches securely.

▲WARNING Only use accessories specifically recommended for this tool. Others may be hazardous.

Installing the Base

▲WARNING The base should be installed according to the vehicle manufacturer's specifications by a qualified technician. Drilling holes in certain structural areas, or wiring incorrectly, could compromise the safety of the vehicle.

To mount the permanent base:

1. Place the base on the desired location. Make sure it is on a clean, dry surface.
2. Mount the base to the location using four 1/4" screws.
3. Connect to the vehicle's wiring per the manufacturer's wiring schematic.

▲WARNING Do not use magnet for horizontal overhead mounting.

To mount the portable base:

Select the best location on your vehicle for the magnetic mount. Make sure the metal area under the magnetic base is flat and clean to ensure a strong bond. **WARNING!** Excessive force will break the magnet free. The light should be removed from a vehicle's exterior while traveling and in strong wind conditions.

Attaching/Removing the Light

▲WARNING Inspect the mounting screw daily during the required daily vehicle inspection. If the screw is not tightly secured the light could detach from the base. A light that detaches from the base while the vehicle is in motion is a road hazard and could cause serious injury or death to others.

The light head can either be attached to the 12V DC permanent base or portable base. To assist in reconfiguring the light, utilize the included screw kit and hex key.

To **attach**, secure the light head into the body of the base with the mounting screw. Make sure the screw is tightened securely into place.

To **remove**, unscrew the mounting screw from the body of the base and pull the light head away from the base.

NOTE: The 12V DC permanent base and portable base features a screw hole (M6 x 1 thread) that can be used to further secure the light head to the base.

Attaching the Remote Dash Mount

▲WARNING To reduce the risk of serious injury or death, install the remote dash mount away from vehicle functions and safety features, such as air bags. Air bag deployment could cause the remote to become a projectile. Make sure the surface is clean and dry before attaching.

To **attach**, peel the protective layer from the back of the remote dash mount. Place the mount on the desired surface. Let the mount cure for 24 hours before removing the remote from mount.

ONE-KEY™

To learn more about the ONE-KEY™ functionality for this tool, go to milwaukee.com/One-Key. To download the ONE-KEY™ app, visit the App Store or Google Play from your smart device.

ONE-KEY™ Indicator	
Solid Blue	Wireless mode is active and ready to be configured via the ONE-KEY™ app.
Blinking Blue	Tool is actively communicating with the ONE-KEY™ app.
Blinking Red	Tool is in security lockout and can be unlocked by the owner via the ONE-KEY™ app.

OPERATION

▲WARNING To reduce the risk of injury, do not look directly into the light when the light is ON.

To turn **ON** the light, press the Power button . To turn **OFF** the light, press the Power button again . To turn **ON** the remote, turn the Remote on/off switch ON.

Press the **MODE** button to cycle through spot, flood low, and flood high light settings.

To **rotate** the light, use the remote joystick .

To **adjust** the speed of rotation, click down on the remote joystick .

To return the light to the **home** position, press and hold the remote home button for two seconds.

MAINTENANCE

▲WARNING To reduce the risk of injury, always unplug the charger and remove the battery pack from the charger or tool before performing any maintenance. Never disassemble the tool, battery pack or charger. Contact a MILWAUKEE service facility for ALL repairs.

Maintaining Tool

Keep your tool, battery pack and charger in good repair by adopting a regular maintenance program. Inspect your tool for issues such as undue noise, misalignment or binding of moving parts, breakage of parts, or any other condition that may affect the tool operation. Return the tool, battery pack, and charger to a MILWAUKEE service facility for repair. After six months to one year, depending on use, return the tool, battery pack and charger to a MILWAUKEE service facility for inspection.

If the tool does not start or operate at full power with a fully charged battery pack, clean the contacts on the battery pack. If the tool still does not work properly, return the tool, charger and battery pack, to a MILWAUKEE service facility for repairs.

ONE-KEY™

⚠️WARNING Chemical Burn Hazard. This device contains a lithium button/coin cell battery. A new or used battery can cause severe internal burns and lead to death in as little as 2 hours if swallowed or enters the body. Always secure the battery cover. If it does not close securely, stop using the device, remove the batteries, and keep it away from children. If you think batteries may have been swallowed or entered the body, seek immediate medical attention.



Internal Battery

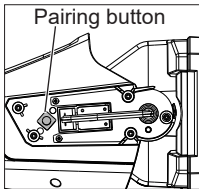
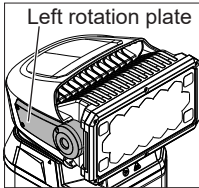
An internal battery is used to facilitate full ONE-KEY™ functionality. The internal battery is located on the bottom of the light head.

To replace the battery:

1. Remove the light head from the base.
2. Remove the screw and open the battery door.
3. Remove the old battery, keep it away from children, and dispose of it properly.
4. Insert the new battery (3V CR2032), with the positive side facing up.
5. Close the battery door and tighten the screw securely.

Pairing a New Remote

1. Attach the light head to a base that is connected to power. Do not turn on light.
2. Remove the four screws on the left rotation plate of the light head. Remove the plate from the light head.
3. Press and hold the pairing button on the light head. Turn on the remote and push up on the remote joystick and hold. Once paired, the light will blink three times. The new remote is now connected.
4. Reinsert the left rotation plate to the light head using the four screws.



Changing the Remote Batteries

1. On the remote's backside, unscrew the single screw and lift the battery lid to expose the batteries.
2. Replace with AAA batteries.
3. Place the battery lid back onto remote and screw securely.

⚠️WARNING To reduce the risk of personal injury and damage, never immerse your tool, battery pack or charger in liquid or allow a liquid to flow inside them.

Cleaning

Clean dust and debris from any vents. Keep tool clean, dry and free of oil or grease. Use only mild soap and a damp cloth to clean, since certain cleaning agents and solvents are harmful to plastics and other insulated parts. Some of these include gasoline, turpentine, lacquer thinner, paint thinner, chlorinated cleaning solvents, ammonia and household detergents containing ammonia. Never use flammable or combustible solvents around tools.

Repairs

For repairs, return the tool, battery pack and charger to the nearest authorized service center.

ACCESSORIES

⚠️WARNING Use only recommended accessories. Others may be hazardous.

For a complete listing of accessories, go online to www.milwaukeetool.com or contact a distributor.

WIRELESS COMMUNICATION

For products provided with wireless communication features, including ONE-KEY™:

Pursuant to part 15.21 of the FCC Rules, do not modify this product. Modification could void your authority to operate the product. This device complies with part 15 of the FCC Rules and ISED-Canada's license exempt RSS standards. Operation is subject to the following two conditions: 1) This device may not cause harmful interference, and 2) This device must accept any interference received, including interference that may cause undesired operation.

SERVICE - UNITED STATES

1-800-SAWDUST (1.800.729.3878)

Monday-Friday, 7:00 AM - 6:30 PM CST
or visit www.milwaukeetool.com

Contact Corporate After Sales Service Technical Support with technical, service/repair, or warranty questions.

Email: metproductsupport@milwaukeetool.com

Become a Heavy Duty Club Member at www.milwaukeetool.com to receive important notifications regarding your tool purchases.

SERVICE - CANADA

Milwaukee Tool (Canada) Ltd
1.800.268.4015

Monday-Friday, 7:00 AM - 4:30 PM CST
or visit www.milwaukeetool.ca

LIMITED WARRANTY USA & CANADA

Every MILWAUKEE power tool* (see exceptions below) is warranted to the original purchaser only to be free from defects in material and workmanship. Subject to certain exceptions, MILWAUKEE will repair or replace any part on an electric power tool which, after examination, is determined by MILWAUKEE to be defective in material or workmanship for a period of five (5) years** after the date of purchase unless otherwise noted. Return of the power tool to a MILWAUKEE Factory Service Center location or MILWAUKEE Authorized Service Station, freight prepaid and insured, is required. A copy of the proof of purchase should be included with the return product. This warranty does not apply to damage that MILWAUKEE determines to be from repairs made or attempted by anyone other than MILWAUKEE authorized personnel, misuse, alterations, abuse, normal wear and tear, lack of maintenance, or accidents.

Normal Wear: Many power tools need periodic parts replacement and service to achieve best performance. This warranty does not cover repair when normal use has exhausted the life of a part including, but not limited to, chucks, brushes, cords, saw shoes, blade clamps, o-rings, seals, bumpers, driver blades, pistons, strikers, lifters, and bumper cover washers.

*This warranty does not cover Air Nailers & Staplers; Airless Paint Sprayer; Cordless Battery Packs; Gasoline Driven Portable Power Generators; Hand Tools; Hoist - Electric, Lever & Hand Chain; M12™ Heated Gear; Reconditioned Product; and Test & Measurement Products. There are separate and distinct warranties available for these products.

**The warranty period for Job Site Radios, M12™ Power Port, M18™ Power Source, Jobsite Fan and Trade Titan™ Industrial Work Carts is one (1) year from the date of purchase. The warranty period for the M18 FUEL™ 1" D-Handle High Torque Impact Wrenches, Drain Cleaning Cables, AIRSNAKE™ Drain Cleaning Air Gun Accessories, and REDLITHIUM™ USB Laser Levels is two (2) years from the date of purchase. The warranty period for the M18™ Compact Heat Gun, 8 Gallon Dust Extractor, M18™ Framing Nailers, M18 FUEL™ 1/2" Ext. Anvil Controlled Torque Impact Wrench w/ ONE-KEY™, M18 FUEL™ 1" High Torque Impact Wrench w/ ONE-KEY™, M18 FUEL™ 2 Gal. Compact Quiet Compressor, M12™ Laser Levels, 165' Laser Detector, M12™ 23GA Pin Nailer, and M18 FUEL™ 1/4" Blind Rivet Tool w/ ONE-KEY™, and M12 FUEL™ Low Speed Tire Buffer is three (3) years from the date of purchase. The warranty period for the LED in the LED Work Light and the LED Upgrade Bulb for the Work Light is the lifetime of the product subject to the limitations above. If during normal use the LED or LED Bulb fails, the part will be replaced free of charge. Warranty Registration is not necessary to obtain the applicable warranty on a MILWAUKEE power tool product. The manufacturing date of the product will be used to determine the warranty period if no proof of purchase is provided at the time warranty service is requested.

ACCEPTANCE OF THE EXCLUSIVE REPAIR AND REPLACEMENT REMEDIES DESCRIBED HEREIN IS A CONDITION OF THE CONTRACT FOR THE PURCHASE OF EVERY MILWAUKEE PRODUCT. IF YOU DO NOT AGREE TO THIS CONDITION, YOU SHOULD NOT PURCHASE THE PRODUCT. IN NO EVENT SHALL MILWAUKEE BE LIABLE FOR ANY INCIDENTAL, SPECIAL, CONSEQUENTIAL OR PUNITIVE DAMAGES, OR FOR ANY COSTS, ATTORNEY FEES, EXPENSES, LOSSES OR DELAYS ALLEGED TO BE AS A CONSEQUENCE OF ANY DAMAGE TO, FAILURE OF, OR DEFECT IN ANY PRODUCT INCLUDING, BUT NOT LIMITED TO, ANY CLAIMS FOR LOSS OF PROFITS. SOME STATES DO NOT ALLOW THE EXCLUSION OR LIMITATION OF INCIDENTAL OR CONSEQUENTIAL DAMAGES, SO THE ABOVE LIMITATION OR EXCLUSION MAY NOT APPLY TO YOU. THIS WARRANTY IS EXCLUSIVE AND IN LIEU OF ALL OTHER EXPRESS WARRANTIES, WRITTEN OR ORAL. TO THE EXTENT PERMITTED BY LAW, MILWAUKEE DISCLAIMS ANY IMPLIED WARRANTIES, INCLUDING WITHOUT LIMITATION ANY IMPLIED WARRANTY OF MERCHANTABILITY OR FITNESS FOR A PARTICULAR USE OR PURPOSE; TO THE EXTENT SUCH DISCLAIMER IS NOT PERMITTED BY LAW, SUCH IMPLIED WARRANTIES ARE LIMITED TO THE DURATION OF THE APPLICABLE EXPRESS WARRANTY AS DESCRIBED ABOVE. SOME STATES DO NOT ALLOW LIMITATIONS ON HOW LONG AN IMPLIED WARRANTY LASTS, SO THE ABOVE LIMITATION MAY NOT APPLY TO YOU. THIS WARRANTY GIVES YOU SPECIFIC LEGAL RIGHTS, AND YOU MAY ALSO HAVE OTHER RIGHTS WHICH VARY FROM STATE TO STATE.

This warranty applies to product sold in the U.S.A. and Canada only. Please consult the 'Service Center Search' in the Parts & Service section of MILWAUKEE's website www.milwaukeetool.com or call 1.800.SAWDUST (1.800.729.3878) to locate your nearest service facility for warranty and non-warranty service on a Milwaukee electric power tool.

RÈGLES DE SÉCURITÉ GÉNÉRALES RELATIVES AUX OUTILS ÉLECTRIQUES

⚠️AVERTISSEMENT Lire toutes les consignes de sécurité, consignes, illustrations et spécifications fournies avec cet outil électrique. Ne pas suivre l'ensemble des règles et instructions peut entraîner une électrocution, un incendie ou des blessures graves. Conserver les règles et les instructions à des fins de référence ultérieure. Le terme «outil électrique» figurant dans les avertissements ci-dessous renvoie à l'outil électrique à alimentation par le réseau (à cordon) ou par batterie (sans fil).

SÉCURITÉ DU LIEU DE TRAVAIL

- Veillez à ce que l'aire de travail soit propre et bien éclairée. Le désordre et le manque de lumière favorisent les accidents.
- Ne pas utiliser d'outils électriques dans des atmosphères explosives, par exemple en présence de liquides, gaz ou poussières inflammables. Les outils électriques produisent des étincelles risquant d'enflammer les poussières ou vapeurs.
- S'assurer que les enfants et les curieux se trouvent à une bonne distance au moment d'utiliser un outil électrique. Les distractions peuvent causer une perte de contrôle.

SÉCURITÉ ÉLECTRIQUE

- Les fiches des outils électriques doivent correspondre à la prise secteur utilisée. Ne jamais modifier la fiche, de quelque façon que ce soit. Ne jamais utiliser d'adaptateurs de fiche avec des outils mis à la terre. Les fiches et prises non modifiées réduisent le risque de choc électrique.
- Éviter tout contact avec des surfaces mises à la terre comme des tuyaux, des radiateurs, des cuisinières et des réfrigérateurs. Le risque de choc électrique est accru lorsque le corps est mis à la terre.
- Ne pas exposer les outils électriques à l'eau ou l'humidité. La pénétration d'eau dans ces outils accroît le risque de choc électrique.
- Ne pas maltraiter le cordon d'alimentation. Ne jamais utiliser le cordon d'alimentation pour transporter l'outil électrique et ne jamais débrancher ce dernier en tirant sur le cordon. Garder le cordon à l'écart de la chaleur, de l'huile, des objets tranchants et des pièces en mouvement. Un cordon endommagé ou emmêlé accroît le risque de choc électrique.
- Pour les travaux à l'extérieur, utiliser un cordon spécialement conçu à cet effet. Utiliser un cordon conçu pour l'usage extérieur réduit les risques de choc électrique.
- Si l'utilisation d'un outil électrique est inévitable dans un endroit humide, utiliser une source d'alimentation munie d'un disjoncteur de fuite de terre. L'utilisation d'un disjoncteur de fuite de terre réduit le risque de choc électrique.

SÉCURITÉ INDIVIDUELLE

- **Rester attentif, prêter attention au travail et faire preuve de bon sens lors de l'utilisation de tout outil électrique. Ne pas utiliser cet appareil en cas de fatigue ou sous l'influence de l'alcool, de drogues ou de médicaments.** Un moment d'inattention pendant l'utilisation d'un outil électrique peut entraîner des blessures graves.
- **Porter l'équipement de protection individuel requis. Toujours porter une protection oculaire.** Selon les conditions, porter aussi un masque anti-poussières, des bottes de sécurité antidérapantes, un casque protecteur ou une protection auditive afin de réduire les blessures.
- **Empêcher les démarrages accidentels. S'assurer que la gâchette est en position d'arrêt avant de brancher l'outil à une source de courant, d'insérer la batterie, de le ramasser ou de le transporter.** Le fait de transporter un outil électrique en gardant le doigt sur la gâchette ou de mettre sous tension un outil électrique lorsque la gâchette est en position de marche favorise les accidents.
- **Retirer les clés de réglage avant de mettre l'outil en marche.** Une clé laissée sur une pièce rotative de l'outil peut causer des blessures.
- **Ne pas travailler hors de portée. Toujours se tenir bien campé et en équilibre.** Une bonne stabilité procure un meilleur contrôle de l'outil électrique en cas d'imprévu.
- **Porter une tenue appropriée. Ne porter ni vêtements amples, ni bijoux. Garder les cheveux et les vêtements à l'écart des pièces en mouvement.** Les vêtements flottants, les bijoux ou les cheveux longs risquent d'être happés par les pièces en mouvement.
- **Si les outils sont équipés de dispositifs de dépoussiérage, s'assurer qu'ils sont connectés et correctement utilisés.** L'utilisation d'un collecteur de poussière permet de réduire les dangers liés à la poussière.
- **Ne pas laisser la familiarité avec l'outil acquise par une utilisation fréquente vous rendre suffisant et vous amener à ignorer les règles de sécurité.** Une utilisation négligée peut causer une blessure grave en une fraction de seconde.

UTILISATION ET ENTRETIEN DE L'OUTIL ÉLECTRIQUE

- **Ne pas forcer l'outil électrique. Utiliser l'outil électrique approprié pour l'application.** Un outil électrique approprié exécutera le travail mieux et de façon moins dangereuse s'il est utilisé dans les limites prévues.
- **Ne pas utiliser l'outil électrique si le commutateur ne permet pas de le mettre en marche ou de l'arrêter.** Tout outil électrique qui ne peut pas être contrôlé par son commutateur est dangereux et doit être réparé.
- **Débrancher l'outil et/ou retirer le bloc-piles, si possible, avant d'effectuer des réglages, de changer d'accessoire ou de remettre l'outil.** Ces mesures de sécurité préventives réduisent les risques de démarrage accidentel de l'outil.
- **Entreposer l'outil électrique hors de la portée des enfants et interdire à quiconque de l'utiliser si la personne ne connaît pas bien le produit ou les instructions.** Les outils électriques sont dangereux dans les mains d'utilisateurs novices.
- **Entretenir les outils électriques et les accessoires. Vérifier qu'aucune pièce mobile n'est mal alignée ou bloquée, qu'aucune pièce n'est brisée et s'assurer qu'aucun autre problème risque d'affecter le bon fonctionnement de l'outil. En cas de dommages, faire réparer l'outil avant de l'utiliser.** Plusieurs accidents sont causés par des produits mal entretenus.
- **Garder les outils bien affûtés et propres.** Des outils correctement entretenus et dont les tranchants sont bien affûtés risquent moins de se bloquer et sont plus faciles à contrôler.
- **Utiliser l'outil électrique, les accessoires, les embouts etc. conformément à ces instructions en tenant compte des conditions de travail et de la tâche à effectuer.** L'usage d'un outil électrique pour des applications pour lesquelles il n'est pas conçu peut être dangereux.
- **Garder les poignées et les surfaces de préhension sèches, propres et exemptes d'huile ou de graisse.** Des poignées et des surfaces de préhension glissantes ne permettent pas de manipuler et de contrôler l'outil en toute sécurité en cas de situation imprévue.

UTILISATION ET ENTRETIEN DE LA BATTERIE

- **Pour recharger le bloc-piles, utiliser seulement le chargeur spécifié par le fabricant.** Un chargeur pouvant convenir à un type de bloc-piles peut entraîner un risque d'incendie lorsqu'il est utilisé avec un autre type de bloc-piles.
- **N'utiliser l'outil électrique qu'avec une batterie recommandée.** L'utilisation de tout autre bloc-piles peut créer un risque de blessures et d'incendie.
- **Lorsque le bloc-piles n'est pas utilisé, le tenir éloigné des objets en métal tels que les trombones, les pièces de monnaie, les clés, les clous, les vis ou d'autres petits objets métalliques qui pourraient connecter les bornes.** Le court-circuitage des bornes d'une pile peut entraîner des brûlures ou un incendie.
- **Éviter tout contact avec le liquide pouvant être éjecté de la pile en cas de manutention abusive. En cas de contact accidentel, rincer immédiatement les parties atteintes avec de l'eau. Si le liquide entre en contact avec les yeux, consulter un médecin.** Le liquide éjecté des piles peut causer des irritations ou des brûlures.
- **N'utiliser aucun bloc-piles ni aucun outil ayant été endommagé ou modifié.** Des piles endommagées ou modifiées peuvent adopter un comportement imprévisible pouvant causer un incendie, une explosion ou le risque de blessures.
- **Ne pas exposer le bloc-piles ou l'outil aux flammes ou à une température excessive.** Une exposition aux flammes ou à une température supérieure à 130°C (265°F) peut causer une explosion.
- **Suivre toutes les instructions de charge et ne pas charger le bloc-piles ou l'outil en dehors de la plage de température spécifiée.** Une charge incorrecte ou à des températures en dehors de la plage spécifiée peut endommager la pile et augmenter le risque d'incendie.

ENTRETIEN

- **Les réparations de l'outil électrique doivent être confiées à un technicien qualifié, utilisant exclusivement des pièces identiques à celles d'origine.** Le maintien de la sûreté de l'outil électrique sera ainsi assuré.
- **Ne jamais effectuer la réparation d'un bloc-piles endommagé.** La réparation du bloc-piles doit être réalisée par le fabricant ou les fournisseurs de service agréés uniquement.

RÈGLES DE SÉCURITÉ SPÉCIFIQUES POUR PROJECTEUR

- **Ne pas utiliser d'aimants pour le montage horizontal en hauteur.**
- **Ce projecteur ne doit pas être allumé pendant que l'on traverse de voies publiques, sauf qu'en situations d'urgence autorisées. Vérifier les codes et les réglementations locales en matière de circulation et d'automobiles qui s'appliquent à votre circonscription d'opération.**
- **Résistant aux intempéries et aux UV.**
- **Toujours faire preuve de bons sens et procéder avec prudence lors de l'utilisation d'outils.** C'est impossible de prévoir toutes les situations dont le résultat est dangereux. Ne pas utiliser cet outil si vous ne comprenez pas ces instructions d'opération ou si vous pensez que le travail dépasse votre capacité ; veuillez contacter Milwaukee Tool ou un professionnel formé pour recevoir plus d'information ou formation.
- **Maintenir en l'état les étiquettes et les plaques d'identification.** Des informations importantes y figurent. Si elles sont illisibles ou manquantes, contacter un centre de services et d'entretien MILWAUKEE pour un remplacement gratuit.

FC Federal Communications Commission

AVERTISSEMENT: Les changements ou les modifications apportés à cette unité non expressément approuvés par l'organisme responsable de la conformité peuvent annuler l'autorité de l'utilisateur à utiliser cet équipement.

Ce dispositif est conforme à la partie 15 des règles de la FCC. Son fonctionnement est soumis aux conditions suivantes : (1) cet appareil ne doit produire aucun brouillage préjudiciable et (2) cet appareil doit fonctionner en dépit de tout brouillage capté, y compris le brouillage pouvant mener à un fonctionnement non désiré.


REMARQUE: Cet équipement a été mis à l'essai et il a été déterminé qu'il est conforme aux normes sur les appareils numériques de classe A, selon la partie 15 des règles de la FCC (Commission fédérale des communications des États-Unis). Ces limites ont été établies pour fournir une protection raisonnable contre un brouillage préjudiciable si l'équipement est utilisé dans un environnement commercial. Cet équipement produit et utilise de l'énergie RF. S'il n'est pas installé et utilisé conformément au manuel d'instructions, il peut brouiller de manière préjudiciable les radiocommunications. Le fait d'utiliser cet équipement dans un secteur résidentiel risque de produire un brouillage préjudiciable que l'utilisateur devra éliminer à ses frais.

RSS-210 du Canada

Ce dispositif est conforme à la règle RSS-210 des Règles d'Industrie du Canada. Son fonctionnement est soumis aux conditions suivantes :

- 1) cet appareil ne doit produire aucun brouillage et
- 2) l'appareil doit fonctionner en dépit de tout brouillage, y compris le brouillage pouvant mener à une opération non désirée.

PICTOGRAPHIE

- V** Volts
— Courant direct
 Lire le d'utilisation manuel

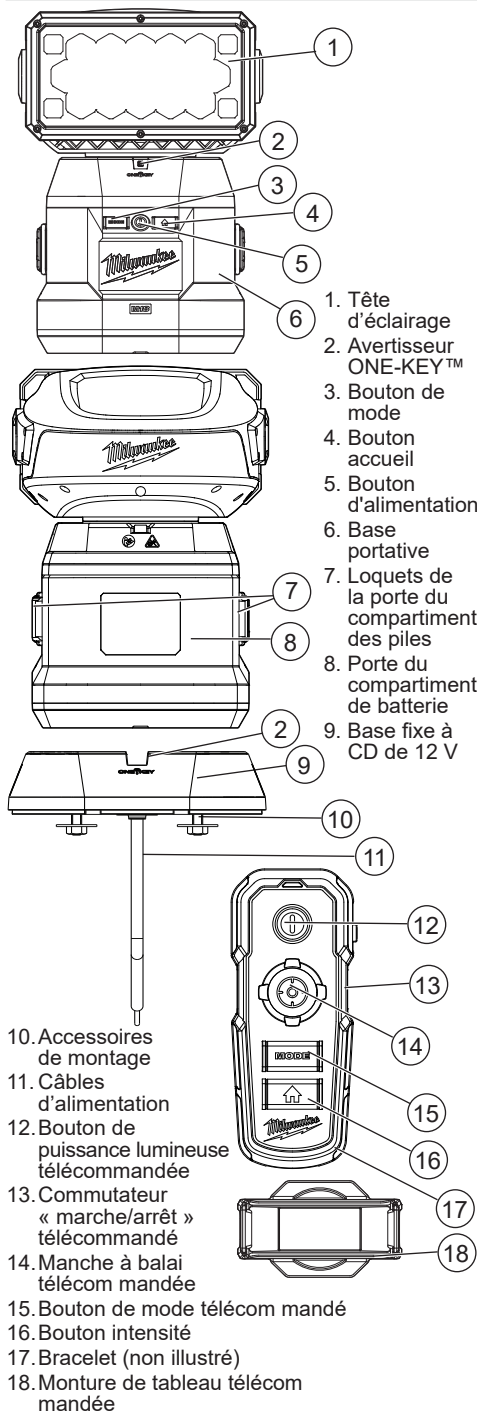
⚠ PRÉCAUTION Ne pas regarder fixement dans la lumière pendant qu'elle est allumée

FC Federal Communications Commission

SPÉCIFICATIONS

No de Cat.....	2123-20
Module/ID de FCC.....	BGM11S/QOQ11
Température ambiante de fonctionnement recommandée-18°C à 50°C (0°F à 125°F)	
Base portable M18™	49-16-2123
Type de pile.....	M18™
Type de chargeur.....	M18™
Voltage d'entrée à CD.....	18 V
Ampérage maximal d'entrée à CD.....	3,0
Base fixe à CD de 12 V	49-16-2123P
Voltage d'entrée à CD.....	12 V
Ampérage maximale d'entrée à CD.....	5,0
Télécommande	49-16-2123R
Type de pile.....	AAA
Voltage d'entrée à CD.....	1,5 V

DESCRIPTION FONCTIONNELLE



1. Tête d'éclairage
2. Avertisseur ONE-KEY™
3. Bouton de mode
4. Bouton accueil
5. Bouton d'alimentation
6. Base portable
7. Loquets de la porte du compartiment des piles
8. Porte du compartiment de batterie
9. Base fixe à CD de 12 V
10. Accessoires de montage
11. Câbles d'alimentation
12. Bouton de puissance lumineuse télécommandée
13. Commutateur « marche/arrêt » télécommandé
14. Manche à balai télécom mandée
15. Bouton de mode télécom mandé
16. Bouton intensité
17. Bracelet (non illustré)
18. Monture de tableau télécom mandée

MONTAGE DE L'OUTIL

⚠ AVERTISSEMENT Ne recharger la batterie qu'avec le chargeur spécifié. Pour les instructions de charge spécifiques, lire le manuel d'utilisation fourni avec le chargeur et les batteries.

Enlèvement/insertion de la batterie

Pour retirer la pile, soulever les loquets du compartiment de batterie et ouvrir la porte. Appuyer sur les boutons de déverrouillage de batterie et tirer la batterie pour la faire sortir de l'outil. Fermer la porte du compartiment des piles et fermer les loquets d'une manière sécuritaire.

⚠ AVERTISSEMENT Il faut toujours retirer la batterie et verrouiller la détente de l'outil avant de changer ou d'enlever les accessoires.

Pour insérer la pile, soulever les loquets sur la porte du compartiment des piles et l'ouvrir. Glisser le bloc-piles dans le corps de l'outil. S'assurer qu'il y est bien inséré en place. Fermer la porte du compartiment des piles et fermer les loquets d'une manière sécuritaire.

⚠ AVERTISSEMENT L'emploi d'accessoires autres que ceux qui sont expressément recommandés pour cet outil peut comporter des risques.

Montage de la base

⚠ AVERTISSEMENT La base doit être mise en place, par un technicien qualifié, d'après les spécifications du fabriquant. Les trous de perçage faits dans certains espaces structurels ou touchant du câblage par inadvertance pourront compromettre la sécurité du véhicule.

Pour monter la base fixe :

1. Mettre la base à l'emplacement désiré. S'assurer qu'il s'agit d'une surface sèche et propre.
2. Monter la base sur l'emplacement à l'aide de quatre vis de 6 mm (1/4").
3. Connecter au câblage du véhicule d'après le schéma fonctionnel du câblage fourni par le fabriquant.

⚠ AVERTISSEMENT Ne pas utiliser d'aimants pour le montage horizontal en hauteur.

Pour monter la base portable :

Sélectionner le meilleur emplacement de votre véhicule pour mettre la monture magnétique. S'assurer que l'aire métallique sous la base magnétique est plate et propre afin de garantir un lien fort. **AVERTISSEMENT !** L'utilisation de force excessive libérera l'aimant. L'éclairage devra être enlevé de l'extérieur du véhicule tandis que vous voyagez et durant les jours de vent fort.

Attachement/enlèvement de l'éclairage

⚠ AVERTISSEMENT Examiner la vis de montage au quotidien durant l'inspection quotidienne du véhicule. Si la vis n'est pas bien serrée, le projecteur pourra se séparer de sa base lorsque le véhicule est en mouvement présente un risque routier pouvant causer des blessures graves, même la mort, des passants.

La tête d'éclairage peut bien être attachée à la base fixe ou bien, à la base portable. Pour aider à reconfigurer la lumière, utilisez le kit de vis inclus et la clé hex.

Pour l'attacher, bien mettre la tête d'éclairage sur place, sur le corps de la base, à l'aide de la vis de montage. Veuillez s'assurer que la vis soit bien serrée.

Pour l'enlever, dévisser la vis de montage du corps de la base et tirer de la tête d'éclairage pour la séparer de la base.

REMARQUE : La base fixe à CD de 12 V et la base portable M18™ comportent un orifice pour vis (filetage M6 x 1) qui peut être utilisé afin d'avoir un moyen sécuritaire supplémentaire conçu pour fixer la tête d'éclairage à la base.

Mise en place de la monture de tableau télécommandée

⚠ AVERTISSEMENT Afin de minimiser le risque de blessures ou de mort, mettre la monture de tableau télécommandée loin des fonctions et caractéristiques de sécurité du véhicule, tels que les sacs gonflables. Le déploiement des sacs gonflables pourra causer que la télécommande devienne un projectile.

S'assurer que la surface est propre et sèche avant d'entreprendre la mise en place.

Pour mettre l'accessoire en place, décoller la pellicule de protection de la partie arrière de la monture de tableau télécommandée. Mettre la monture dans la surface désirée. Laisser la monture curer pendant 24 heures avant de ne retirer la télécommande d'elle.

ONE-KEY™

Pour en apprendre plus long sur la fonctionnalité ONE-KEY™ de cet outil, visitez le milwaukeeool.com/One-Key. Pour télécharger l'application ONE-KEY™, visitez l'App Store d'Apple ou Google Play à l'aide de votre appareil intelligent.

Indicateur ONE-KEY™	
Bleu uni	Le mode sans fil est engagé et prêt pour le configurer à l'aide de l'appli ONE-KEY™.
Bleu clignotant	L'outil établit une communication active avec l'appli ONE-KEY™.
Rouge clignotant	L'outil a un blocage sécuritaire et ne pourra être débloqué que par le propriétaire à l'aide de l'appli ONE-KEY™.

MANIEMENT

AVERTISSEMENT Afin de réduire le risque de blessures, ne pas regarder fixement dans la lumière lorsqu'elle est allumée.

Pour allumer la lampe, appuyer sur le bouton ① d'alimentation.

Pour allumer la télécommande, glisser le commutateur « marche/arrêt » télécommandé vers sa position de démarrage.

Appuyer sur le bouton « MODE » pour passer entre les modes d'éclairage « faisceau étroit », « projection à base intensité », « projection à haute intensité » Pour éteindre la lampe, appuyer sur le bouton ① d'alimentation encore une fois.

Pour faire tourner la lampe, utiliser la manche à balai télécommandée ②.

Pour ajuster la vitesse de rotation, cliquer sur la manche à balai télécommandée vers le bas ③.

Pour remettre la lampe à sa position initiale, appuyer, sans relâcher, le bouton ④ accueilli d'éclairage durant deux secondes.

ENTRETIEN

AVERTISSEMENT Pour minimiser les risques de blessures corporelles, débranchez le chargeur et retirez la batterie du chargeur ou de l'outil avant d'y effectuer des travaux d'entretien. Ne démontez jamais l'outil, la batterie ou le chargeur. Pour toute réparation, consultez un centre de service MILWAUKEE agréé.

Entretien de l'outil

Gardez l'outil en bon état en adoptant un programme d'entretien ponctuel. Inspectez votre outil pour des questions telles que le bruit excessif, de grippage des pièces mobiles, de pièces cassées ou toute autre condition qui peut affecter le fonctionnement de l'outil. Retournez votre outil à un centre de service MILWAUKEE agréé pour obtenir le service. Après une période pouvant aller de 6 mois à un an, selon l'usage, retournez votre outil à un centre de service MILWAUKEE agréé pour d'inspection.

Si l'outil ne démarre pas ou ne fonctionne pas à pleine puissance alors qu'il est branché sur une batterie complètement chargée, nettoyez les points de contact entre la batterie et l'outil. Si l'outil ne fonctionne toujours pas correctement, renvoyez l'outil, le chargeur et la batterie à un centre de service MILWAUKEE agréé.

ONE-KEY™

AVERTISSEMENT Risque de brûlure chimique.

Ce dispositif contient une pile bouton au lithium. Une pile neuve ou usée peut causer des brûlures internes graves entraînant la mort en seulement 2 heures si avalée ou entrée dans le corps. Toujours fixer le couvercle du compartiment des piles. Si le couvercle ne se ferme pas bien, arrêter d'utiliser le dispositif, retirer les piles et les garder hors de la portée des enfants. Si vous soupçonnez que les piles ont été avalées ou entrées dans le corps, consultez immédiatement un médecin.



Pile interne

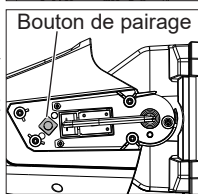
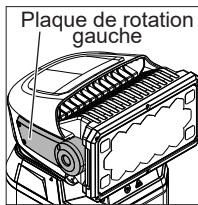
Une pile interne est utilisée pour faciliter la fonctionnalité complète ONE-KEY™.

Pour remplacer la pile :

1. Retirer le bloc-piles.
2. Retirer la vis et ouvrir la porte du compartiment de la pile.
3. Retirer le panneau de la pile et enlever la pile usagée. Tenez hors de la portée des enfants et éliminez-la adéquatement.
4. Insérer la nouvelle pile (3V CR2032), avec le côté positif vers le haut.
5. Fermer la porte du compartiment de la pile et serrer la vis fermement.

Pairage d'une nouvelle télécommande

1. Attacher la tête d'éclairage à la base qui est branchée à la source d'alimentation. Ne pas allumer la lampe.
2. Enlever les quatre vis sur la plaque de rotation gauche de la tête d'éclairage. Enlever la plaque de la tête d'éclairage.
3. Appuyer et tenir enfoncé le bouton de pairage sur la tête d'éclairage. Allumer la télécommande et soulever la manche à balai télécommandée, en la maintenant dans cette position. Une fois pairée, la lampe clignotera trois fois. La nouvelle télécommande est pairée maintenant.
4. Remettre la plaque de rotation gauche sur la tête d'éclairage à l'aide des quatre vis.



Remplacement des piles de la télécommande

1. Dévisser la seule vis qui se trouve derrière la télécommande et soulever le couvercle afin d'exposer les piles.
2. Installer des piles AAA.
3. Remettre le couvercle en place et visser fermement.

AVERTISSEMENT Pour minimiser les risques de blessures ou de dommages à l'outil, n'immergez jamais l'outil, la batterie ou le chargeur et ne laissez pas de liquide s'y infiltrer.

Nettoyage

Débarassez les tous événements des débris et de la poussière. Gardez les outil propres, à sec et exempts d'huile ou de graisse. Le nettoyage doit se faire avec un linge humide et un savon doux. Certains nettoyants tels l'essence, la térébenthine, les diluants à laque ou à peinture, les solvants chlorés, l'ammoniaque et les détergents d'usage domestique qui en contiennent pourraient détériorer le plastique et l'isolation des pièces. Ne laissez jamais de solvants inflammables ou combustibles auprès des outils.

Réparations

Pour les réparations, retournez outil, batterie et chargeur en entier au centre-service le plus près.

ACCESOIRES

AVERTISSEMENT L'utilisation d'autres accessoires que ceux qui sont spécifiquement recommandés pour cet outil peut comporter des risques.

Pour une liste complète des accessoires, visiter le site internet www.milwaukeetool.com ou contactez un distributeur.

COMMUNICATION SANS FIL

Pour les produits comportant des fonctions de communication sans fil, ONE-KEY™ y compris : Conformément à la part 15.21 du Règlement de la FCC, ne pas modifier ce produit-ci. Une telle modification pourra annuler votre autorisation à utiliser le produit. Cet appareil est conforme à la part 15 du Règlement de la FCC et les normes RSS d'exemption de licence de l'ISED-Canada. Son fonctionnement est soumis aux conditions suivantes : 1) Cet appareil ne doit produire aucun brouillage préjudiciable ; et 2) cet appareil doit fonctionner en dépit de tout brouillage capté, y compris le brouillage pouvant mener à un fonctionnement non désiré.

SERVICE - CANADA

Milwaukee Tool (Canada) Ltd
1.800.268.4015

Monday-Friday, 7:00 AM - 4:30 PM CST
www.milwaukeetool.ca

GARANTIE LIMITÉE - AUX ÉTATS-UNIS ET AU CANADA

Chaque outil électrique* MILWAUKEE (voir exceptions ci-dessous) est garanti à l'acheteur d'origine uniquement pour être exempt de vices de matériaux et de fabrication. Sous réserve de certaines exceptions, MILWAUKEE réparera ou remplacera toute pièce d'un outil électrique qui, après examen par MILWAUKEE, s'est avérée être affectée d'un vice de matériau ou de fabrication et ce pendant une période de cinq (5) ans** à compter de la date d'achat, sauf indication contraire. Retourner l'outil électrique à un centre de réparation en usine MILWAUKEE ou à un poste d'entretien agréé MILWAUKEE, en port prépayé et assuré. Une copie de la preuve d'achat doit être présentée lors du retour du produit. Cette garantie ne couvre pas les dommages que MILWAUKEE détermine être causés par des réparations ou des tentatives de réparation par quiconque autre que le personnel agréé par MILWAUKEE, ou par des utilisations incorrectes, des altérations, des utilisations abusives, une usage normale, une carence d'entretien ou des accidents.

Usure normale : Plusieurs outils électriques requièrent un remplacement et un entretien périodique de leurs pièces pour un meilleur rendement. Cette garantie ne couvre pas la réparation des pièces due à l'utilisation normale de l'outil, y compris, mais sans s'y limiter, les mandrins, les brosses, les cordes, les sabots de scie, les portelames, les joints toriques, les joints, les amortisseurs, les lames d'entraînement, les pistons, les perceurs, les crochets et les rondelles à couvercle amortisseur.

*Cette garantie ne s'applique pas aux cloueuses-agrafeuses pneumatiques, aux pulvérisateurs à peinture sans air, aux blocs-piles pour outils sans fil, aux génératrices d'alimentation portatives à essence, aux outils à main, aux monte-charges – électriques, à levier et à chaîne, aux vestes chauffantes M12™, aux produits ré-usinés, ni aux produits d'essai et de mesure. Il existe des garanties séparées distinctes pour ces produits.

**La période de garantie applicable pour les radios de chantier, le port d'alimentation M12™, la source électrique M18™, le ventilateur de chantier et les chariots de travail industriels Trade Titan™ est d'une durée d'un (1) an à compter de la date d'achat. La période de garantie pour les M18 FUEL™ 1" chocs à couple élevé à poignée en « D », câbles de nettoyage des drains, les accessoires de pistolet à air de vidange AIRSNAKE™ et les niveaux laser USB REDLITHIUM® est de deux (2) ans à compter de la date d'achat. La période de garantie pour le pistolet thermique compact M18™, dépoussiéreur de 8 gallons, M18™ cloueuses à ossature, M18 FUEL™ 1/2" clé à chocs de enclume prolongé, couple contrôlé avec ONE-KEY™, M18 FUEL™ 1" clé à chocs de couple élevé avec ONE-KEY™, M18 FUEL™ compresseur silencieux compact de 7,6 L, les niveaux laser M12™, détecteur laser de 19,8 m, cloueuse à chevilles 23GA M12™, M18 FUEL™ 6,4 mm riveteuse aveugle avec ONE-KEY™, et tampon de pneus basse vitesse M12 FUEL™ est de trois (3) ans à compter de la date d'achat. La période de garantie couvrant la DEL de la lampe de travail à DEL et l'ampoule améliorée à DEL de la lampe de travail est une garantie à vie du produit soumise aux limitations ci-dessus. En cas de défaillance de la DEL ou de l'ampoule à DEL pendant son utilisation normale, la pièce défectueuse sera remplacée gratuitement. L'enregistrement de la garantie n'est pas nécessaire pour bénéficier de la garantie en vigueur sur un outil électrique MILWAUKEE. La date de fabrication du produit servira à établir la période de garantie, si aucune preuve d'achat n'est fournie lorsqu'une demande de service sous garantie est déposée.

L'ACCEPTATION DES RECOURS EXCLUSIFS DE RÉPARATION ET DE REMPLACEMENT DÉCRITS DANS LES PRÉSENTES EST UNE CONDITION DU CONTRAT D'ACHAT DE TOUT PRODUIT MILWAUKEE. SI VOUS N'ACCEPTÉZ PAS CETTE CONDITION, VOUS NE DEVEZ PAS ACHETER LE PRODUIT. EN AUCUN CAS, MILWAUKEE NE SAURAIT ÊTRE RESPONSABLE DE TOUT DOMMAGE ACCESSOIRE, SPÉCIAL OU INDIRECT, DE DOMMAGES-INTÉRÊTS PUNITIFS OU DE TOUTE DÉPENSE, D'HONORAIRES D'AVOCAT, DE FRAIS, DE PERTE OU DE DÉLAIS ACCESSOIRES À TOUT DOMMAGE, DÉFAILLANCE OU DÉFAUT DE TOUT PRODUIT, Y COMPRIS NOTAMMENT LES PERTES DE PROFIT. CERTAINS ÉTATS ET PROVINCES NE PERMETTANT L'EXCLUSION OU LA LIMITATION DES DOMMAGES DIRECTS OU INDIRECTS, LES RESTRICTIONS CI-DESSUS PEUVENT NE PAS VOUS ÊTRE APPLICABLES. CETTE GARANTIE EST EXCLUSIVE ET REMPLACE TOUTE AUTRE GARANTIE EXPRESSE, QU'ELLE SOIT VERBALE OU ÉCRITE, DANS LA MESURE PERMISE PAR LA LOI, MILWAUKEE RENONCE À TOUTE GARANTIE IMPLICITE, Y COMPRIS, MAIS SANS S'Y LIMITER, TOUTE GARANTIE IMPLICITE DE QUALITÉ MARCHANDE OU D'ADAPTATION À UNE UTILISATION OU À UNE FIN PARTICULIÈRE. DANS LA MESURE OU UNE TELLE STIPULATION D'EXONÉRATION N'EST PAS PERMISE PAR LA LOI, LA DURÉE DE CES GARANTIES IMPLICITES EST LIMITÉE À LA PÉRIODE APPLICABLE DE LA GARANTIE EXPRESSE, TEL QUE CELA EST DÉCRIT PRÉCÉDEMMENT. CERTAINS ÉTATS ET PROVINCES NE PERMETTANT PAS DE LIMITATION DE DURÉE DES GARANTIES IMPLICITES, LES RESTRICTIONS CI-DESSUS PEUVENT DONC NE PAS VOUS ÊTRE APPLICABLES. LA PRÉSENTE VOUS CONFÈRE DES DROITS LÉGAUX PARTICULIERS; VOUS BÉNÉFICIEZ ÉGALEMENT D'AUTRES DROITS QUI VARIENT D'UN ÉTAT À UN AUTRE.

Cette garantie s'applique aux produits vendus aux États-Unis et au Canada uniquement.

Veillez consulter la rubrique Centre SAV Milwaukee, dans la section Pièces et Services du site Web de MILWAUKEE, à l'adresse www.milwaukeetool.com, ou composer le 1-800-SAWDUST (1-800-729-3878) afin de trouver le centre de service de votre région le plus proche pour l'entretien, sous garantie ou non, de votre outil électrique Milwaukee.

ADVERTENCIAS DE SEGURIDAD GENERALES PARA LA HERRAMIENTA ELÉCTRICA

▲ADVERTENCIA Lea todas las advertencias de seguridad, instrucciones, ilustraciones y especificaciones con esta herramienta eléctrica. Si no sigue todas las advertencias e instrucciones, se pueden provocar una descarga eléctrica, un incendio o lesiones graves. **Guarde todas las advertencias e instrucciones para consultarlas en el futuro.** El término "herramienta eléctrica" en todas las advertencias incluidas más abajo se refiere a su herramienta operada por conexión (cable) a la red eléctrica o por medio de una batería (inalámbrica).

SEGURIDAD EN EL ÁREA DE TRABAJO

- **Mantenga el área de trabajo limpia y bien iluminada.** Las áreas desordenadas u oscuras son propicias para los accidentes.
- **No utilice herramientas eléctricas en atmósferas explosivas, tales como en presencia de líquidos, gases o polvos inflamables.** Las herramientas eléctricas generan chispas que pueden encender el polvo o los vapores.
- **Mantenga a los niños y a los espectadores alejados mientras utiliza una herramienta eléctrica.** Las distracciones pueden ocasionar la pérdida de control.

SEGURIDAD ELÉCTRICA

- **Los enchufes de la herramienta eléctrica deben coincidir con el tomacorriente.** Nunca modifique el enchufe de ninguna manera. No utilice adaptadores de enchufe con herramientas eléctricas aterrizadas. Los enchufes y tomacorrientes correspondientes sin modificar reducirán el riesgo de descarga eléctrica.
- **Evite el contacto corporal con superficies aterrizadas, tales como tuberías, radiadores, estufas y refrigeradores.** Existe un riesgo mayor de descarga eléctrica si su cuerpo está aterrizado.
- **No exponga las herramientas eléctricas a la lluvia ni a condiciones húmedas.** Si se introduce agua en una herramienta eléctrica, aumentará el riesgo de descarga eléctrica.
- **No maltrate el cable.** Nunca utilice el cable para cargar, jalar o desconectar la herramienta eléctrica. Mantenga el cable alejado del calor, el aceite, los bordes afilados o las partes en movimiento. Los cables dañados o enredados aumentan el riesgo de descarga eléctrica.
- **Al utilizar una herramienta eléctrica en exteriores, utilice una extensión adecuada para uso en exteriores.** El uso de una extensión adecuada para el uso en exteriores disminuye el riesgo de descarga eléctrica.
- **Si es inevitable utilizar una herramienta eléctrica en un lugar húmedo, utilice un alimentador de corriente protegido con un interruptor de circuito por falla de conexión a tierra (GFCI).** El uso de un GFCI reduce el riesgo de descarga eléctrica.

SEGURIDAD PERSONAL

- **Manténgase alerta, atento a lo que está haciendo y utilice el sentido común al utilizar una herramienta eléctrica.** No utilice una herramienta eléctrica mientras está cansado o bajo la influencia de drogas, alcohol o medicamentos. Un momento de distracción al utilizar herramientas eléctricas puede ocasionar lesiones personales graves.
- **Utilice equipo de protección personal. Siempre use protección para los ojos.** El equipo de protección, tal como una máscara contra polvo, calzado antideslizante, casco o protección auditiva, utilizado para condiciones adecuadas disminuirá las lesiones personales.
- **Evite el arranque accidental. Asegúrese de que el interruptor esté en la posición de apagado antes de conectarlo a una fuente de poder y/o batería, levantar o trasladar la herramienta.** Trasladar herramientas con el dedo en el interruptor o energizar herramientas eléctricas que tienen el interruptor encendido propicia accidentes.
- **Retire cualquier llave de ajuste antes de entender la herramienta.** Una llave que se deje insertada en una parte giratoria de la herramienta eléctrica puede ocasionar lesiones personales.
- **No estire el cuerpo demasiado. Mantenga un buen contacto entre los pies y el suelo y mantenga el equilibrio en todo momento.** Esto permite un mejor control de la herramienta eléctrica en situaciones inesperadas.
- **Vístase adecuadamente. No utilice ropa o joyería holgada.** Mantenga el cabello y la ropa alejados de las partes móviles. La ropa holgada, las alhajas o el cabello largo pueden quedarse atrapados en las partes móviles.
- **Si se proporcionan dispositivos para la conexión de instalaciones de extracción y recolección de polvo, cerciórese de que estén conectados y se utilicen correctamente.** El uso de dispositivos recolectores de polvo puede disminuir los riesgos relacionados con el polvo.
- **No permita que la familiaridad por el uso frecuente de las herramientas lo hagan sentirse seguro e ignorar los principios de seguridad de las herramientas.** Un descuido puede provocar lesiones graves en una fracción de segundo.

USO Y CUIDADO DE LAS HERRAMIENTAS ELÉCTRICAS

- **No fuerce la herramienta eléctrica. Utilice la herramienta eléctrica correcta para su aplicación.** La herramienta eléctrica correcta realizará el trabajo mejor y con mayor seguridad a la velocidad para la que fue diseñada.
- **No utilice la herramienta eléctrica si el interruptor no la enciende y la apaga.** Cualquier herramienta eléctrica que no pueda controlarse con el interruptor es peligrosa y debe repararse.
- **Desconecte el enchufe de la fuente de energía y/o quite la batería de la herramienta eléctrica, si es posible, antes de realizar cualquier ajuste, cambiar accesorios o almacenar las herramientas eléctricas.** Tales medidas preventivas de seguridad disminuyen el riesgo de que la herramienta eléctrica se encienda accidentalmente.

- **Almacene las herramientas eléctricas que no se estén utilizando fuera del alcance de los niños y no permita que personas que no estén familiarizadas con la herramienta eléctrica o con estas instrucciones la utilicen.** Las herramientas eléctricas son peligrosas en manos de usuarios sin capacitación.
- **Dé mantenimiento a las herramientas eléctricas y accesorios. Verifique que no haya desalineación, amarre de partes móviles, partes rotas o alguna otra condición que pueda afectar el funcionamiento de la herramienta eléctrica.** Si se daña, asegúrese de que la herramienta eléctrica sea reparada antes de que se utilice. Muchos accidentes son ocasionados por herramientas eléctricas con mantenimiento deficiente.
- **Mantenga las herramientas de corte afiladas y limpias.** Las herramientas de corte correctamente mantenidas con bordes de corte afilados son menos propensas a atorarse y son más fáciles de controlar.
- **Utilice la herramienta eléctrica, los accesorios y las puntas, etc. de acuerdo con estas instrucciones, tomando en cuenta las condiciones de trabajo y el trabajo a realizar.** El uso de la herramienta eléctrica para operaciones diferentes a las previstas podría generar una situación peligrosa.
- **Mantenga las empuñaduras y ñas superficies de sujeción secas, limpias y libres de aceite y grasa.** Las empuñaduras y superficies de sujeción resbalosas no permiten el manejo y control seguros de la herramienta en situaciones inesperadas.

USO Y CUIDADO DE LAS HERRAMIENTAS CON BATERÍA

- **Recargue únicamente con el cargador especificado por el fabricante.** Un cargador que es adecuado para un tipo de batería puede crear un riesgo de incendio si se utiliza con otra batería.
- **Utilice las herramientas eléctricas únicamente con baterías específicamente diseñadas.** El uso de cualquier otra batería puede producir un riesgo de lesiones e incendio.
- **Cuando la batería no esté en uso, manténgala alejada de otros objetos metálicos como sujetapapeles, monedas, llaves, clavos, tornillos u otros objetos metálicos pequeños que puedan formar una conexión de una terminal a otra.** Crear un corto entre las terminales de la batería puede ocasionar quemaduras o un incendio.
- **Bajo condiciones de maltrato, el líquido puede ser expulsado de la batería, evite el contacto. En caso de contacto accidental, lave con agua.** Si el líquido entra en contacto con los ojos, busque además ayuda médica. El líquido expulsado de la batería puede causar irritación o quemaduras.
- **No use una batería o herramienta que se haya dañado o modificado.** Las baterías dañadas o modificadas pueden mostrar un comportamiento impredecible, causando incendios, explosión o riesgo de lesión.
- **No exponga una batería o herramienta al fuego o a temperatura excesiva.** La exposición a fuego o temperatura a más de 130° C (265° F) puede causar explosiones.
- **Siga todas las instrucciones de carga y no cargue la batería o la herramienta fuera del rango de temperatura especificado en las instrucciones.** La carga incorrecta o a temperaturas fuera del rango especificado puede dañar la batería y aumentar el riesgo de incendio.

MANTENIMIENTO

- Lleve su herramienta eléctrica a servicio con un técnico calificado que use únicamente piezas de reemplazo idénticas. Esto asegurará que la seguridad de la herramienta eléctrica se mantenga.
- Nunca dé servicio a baterías dañadas. Únicamente el fabricante o proveedores de servicio autorizados deben dar servicio a las baterías.

REGLAS ESPECÍFICAS DE SEGURIDAD PARA PROYECTOR

- No utilice un imán para un montaje horizontal superior.
- Esta lámpara no debe iluminarse mientras se conduce en carreteras públicas, excepto cuando se autoriza para situaciones de emergencia. Revise las reglas del vehículo motorizado y tránsito locales de su área de operación.
- Resistente a la intemperie y a los rayos UV.
- Válgase siempre de su sentido común y sea cuidadoso cuando utilice herramientas. No es posible anticipar todas las situaciones que podrían tener un desenlace peligroso. No utilice esta herramienta si no entiende estas instrucciones de uso o si considera que el trabajo a realizar supera sus capacidades, comuníquese con Milwaukee Tool o con un profesional capacitado para recibir capacitación o información adicional.
- Conserve las etiquetas y las placas nominales. Contienen información importante. Si son ilegibles o no están presentes, comuníquese con un centro de servicio MILWAUKEE para obtener un reemplazo gratuito.

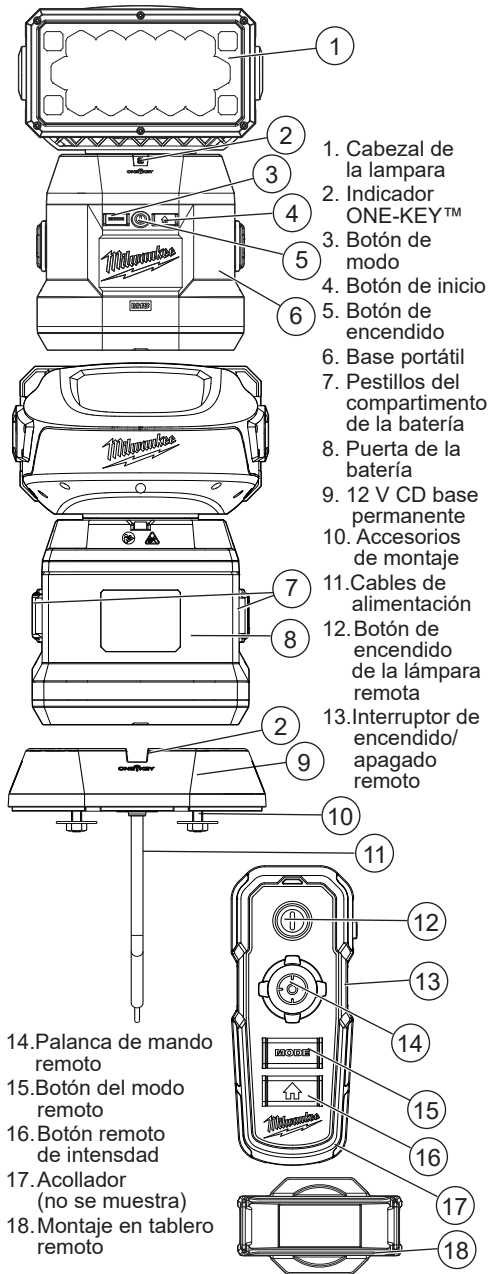
FC Federal Communications Commission
ADVERTENCIA: Los cambios o modificaciones hechos a esta unidad sin la autorización expresa del responsable del cumplimiento de la norma podrían anular la autoridad del usuario para manejar el equipo. Este dispositivo cumple con el apartado 15 de las normas de la FCC. Su operación está sujeta a las siguientes dos condiciones: (1) este dispositivo no debe ocasionar interferencia nociva y (2) este dispositivo debe aceptar cualquier interferencia que se reciba, incluyendo la interferencia que pueda ocasionar operación indeseada.
NOTA: Este equipo ha sido probado y se ha encontrado que cumple con los límites de un dispositivo digital de Clase A, en cumplimiento con la parte 15 de las reglas de la FCC. Estos límites están diseñados para proporcionar protección razonable contra la interferencia nociva cuando el equipo se opera en un ambiente comercial. Este equipo genera, usa y puede irradiar energía de radiofrecuencia y, si no se instala y se utiliza de acuerdo con el manual de instrucciones, puede ocasionar interferencia nociva con las comunicaciones por radio. Es probable que la operación de este equipo en un área residencial provoque interferencia nociva, en cuyo caso el usuario deberá corregir la interferencia a expensas suyas.

RSS-210 canadiense

Este dispositivo cumple con la norma RSS-210 de las Reglas Industriales Canadienses. La operación está sujeta a las siguientes condiciones:

- 1) this device may not cause interference and
- 2) this device must accept any interference, including interference that may cause undesired operation of the device.

DESCRIPCIÓN FUNCIONAL



14. Palanca de mando remoto
15. Botón del modo remoto
16. Botón remoto de intensidad
17. Acollador (no se muestra)
18. Montaje en tablero remoto

ESPECIFICACIONES

Cat. No.	2123-20
Módulo/ID de FCC	BGM11S/QOQ11
Temperatura ambiente recomendada para operar	-18°C a 50°C (0°F a 125°F)
M18™ Base portátil	49-16-2123
Tipo de batería	M18™
Tipo de cargador	M18™
Voltios de entrada CD	18 V
Amperaje máximo de entrada CD	3,0
Base permanente de 12 V CD	49-16-2123P
Voltios de entrada CD	12 V
Amperaje máximo de entrada CD	5,0
Control remoto	49-16-2123R
Tipo de batería	AAA
Voltios de entrada CD	1,5 V

SIMBOLOGÍA

- Voltios
- Corriente continua
- Leer el manual del operador
- PRECAUCIÓN** No mire fijamente la fuente de luz de operación.
- Comisión Federal de Comunicaciones

ENSAMBLAJE

ADVERTENCIA Recargue la batería sólo con el cargador especificado para ella. Para instrucciones específicas sobre cómo cargar, lea el manual del operador suministrado con su cargador y la batería.

Retirar/insertar la batería

Para retirar la batería, levante los pestillos de la puerta de baterías y abra la puerta de la batería. Oprima los botones de liberación de batería y jale la batería para sacarla de la herramienta. Cierre la puerta de las baterías y vuelva a colocar los pestillos apretándolos bien.

ADVERTENCIA Para reducir el riesgo de lesiones, extraiga siempre la batería antes de acoplar o desacoplar accesorios. Para insertar la batería, levante los pestillos de la puerta de baterías y abra la puerta de la batería. Deslice la batería en el cuerpo de la herramienta. Asegúrese de que se fije firmemente en su lugar. Cierre la puerta de las baterías y vuelva a colocar los pestillos apretándolos bien.

ADVERTENCIA Utilice únicamente accesorios específicamente recomendados para esta herramienta. El uso de accesorios no recomendados podría resultar peligroso.

Montar la base

ADVERTENCIA Un técnico calificado debe instalar la base de acuerdo con las especificaciones del fabricante del vehículo. Hacer agujeros en ciertas áreas estructurales o cablear incorrectamente podría comprometer la seguridad del vehículo.

Para montar la base permanente:

1. Coloque la base en el lugar deseado. Asegúrese de que esté sobre una superficie limpia y seca.
2. Monte la base en el lugar con cuatro tornillos de 6 mm (1/4").
3. Conecte al cableado del vehículo según el esquema de cableado del fabricante.

ADVERTENCIA No utilice un imán para una montura horizontal superior.

Para montar la base portátil:

Seleccione el mejor lugar en su vehículo para colocar el montaje magnético. Asegúrese de que el área de metal debajo de la base magnética sea plana y esté limpia para garantizar una buena adherencia. **ADVERTENCIA!** La fuerza excesiva liberará el imán. La lámpara debe retirarse desde el exterior del vehículo mientras viaja y bajo condiciones de viento fuerte.

Fijar/retirar la lámpara

ADVERTENCIA Revise diariamente el tornillo de montaje durante la revisión diaria requerida del vehículo. Si el tornillo no está fijo con firmeza, la lámpara podría desprenderse de la base. Una lámpara que se desprende de la base mientras el vehículo está en movimiento es un peligro para la carretera y podría provocar lesiones graves o la muerte a los demás.

El cabezal de la lámpara puede fijarse a una base permanente o portátil. Para ayudar a reconfigurar la luz, utilice el kit de tornillo incluido y la llave hexagonal.

Para sujetar, fije el cabezal de la lámpara en el cuerpo de la base con el tornillo de montaje. Asegúrese de que el tornillo se fije firmemente en su lugar.

Para retirar, destornille el tornillo de montaje del cuerpo de la base y jale el cabezal de la lámpara de la base.

NOTA: La base permanente de 12 V CD y la base portátil M18™ incluye un orificio para un tornillo (enroscado M6 x 1) que puede utilizarse para fijar mejor el cabezal de la lámpara a la base.

Fijar el montaje remoto en tablero

ADVERTENCIA Para reducir el riesgo de lesiones graves o la muerte, instale el montaje remoto en tablero alejado de las funciones del vehículo y las características de seguridad, como las bolsas de aire. El despliegue de la bolsa de aire podría causar que el comando remoto salga disparado como proyectil. Asegúrese de que la superficie esté limpia y seca antes de fijar.

Para fijar, retire la capa protectora de la parte trasera del montaje remoto en el tablero. Coloque el montaje en la superficie deseada. Permita que se seque el montaje durante 24 horas antes de retirar el control remoto del montaje.

ONE-KEY™

Para obtener más información acerca de la funcionalidad de ONE-KEY™ para esta herramienta, visite milwaukeetool.com/One-Key. Para descargar la aplicación ONE-KEY™, visite la App Store o Google Play desde su dispositivo inteligente.

Indicador ONE-KEY™	
Azul fijo	El modo inalámbrico está activo y listo para configurar a través de la aplicación ONE-KEY™.
Azul intermitente	La herramienta tiene una comunicación activa con la aplicación ONE-KEY™.
Rojo intermitente	La herramienta tiene activo el bloqueo de seguridad y sólo podrá desbloquearla el dueño a través de la aplicación ONE-KEY™.

OPERACION

ADVERTENCIA Para reducir el riesgo de lesiones, no mire directamente hacia la luz cuando la lámpara esté encendida.

Para encender la lámpara, oprima el botón de encendido ①.

Para encender el control remoto, encienda el interruptor de encendido/apagado remoto.

Oprima el botón de MODO para cambiar la configuración de luz de enfoque, reflector bajo y reflector alto.

Para apagar la lámpara, oprima de nuevo el botón de encendido ①.

Para girar la lámpara, utilice la palanca de mando remoto ②.

Para ajustar la velocidad de la rotación, haga clic hacia abajo en la palanca de mando remoto ③.

Para regresar la lámpara a la posición de inicio, oprima y sostenga el botón remoto ④ de casa de durante dos segundos.

MANTENIMIENTO

ADVERTENCIA Para reducir el riesgo de una lesión, desconecte siempre la herramienta antes de darle cualquier mantenimiento. Nunca desarme la herramienta ni trate de hacer modificaciones en el sistema eléctrico de la misma. Acuda siempre a un Centro de Servicio MILWAUKEE para TODAS las reparaciones.

Mantenimiento de las herramientas

Adopte un programa regular de mantenimiento y mantenga su herramienta en buenas condiciones. Inspeccione la herramienta para problemas como ruidos indebidos, desalineadas o agarradas de partes móviles, piezas rotas o cualquier otra condición que pueda afectar el funcionamiento de la herramienta. Envíe su herramienta al Centro de Servicio MILWAUKEE para reparación. Después de 6 meses a un año, dependiendo del uso dado, envíe su herramienta al Centro de Servicio MILWAUKEE más cercano para la inspección.

Si la herramienta no arranca u opera a toda su potencia con una batería completamente cargada, limpie, con una goma o borrador, los contactos de la batería y de la herramienta. Si aun así la herramienta no trabaja correctamente, regrésela, con el cargador y la batería, a un centro de servicio MILWAUKEE.

ONE-KEY™

ADVERTENCIA Riesgo de quemadura química. Este dispositivo contiene una batería de botón/tipo moneda de litio. Una batería nueva o usada puede causar quemaduras internas graves y causar la muerte tan solo en 2 horas si se ingiere o entra al cuerpo. Siempre asegure la cubierta de la batería. Si no se cierra con firmeza, deje de usar el dispositivo, retire las baterías y manténgala alejada de los niños. Si cree que las baterías pudieran ser ingeridas o entraron al cuerpo, busque atención médica de inmediato.



Batería interna

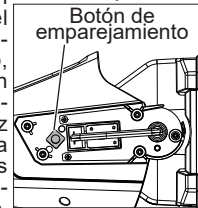
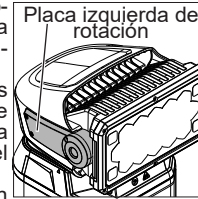
Se usa una batería interna para facilitar toda la funcionalidad de ONE-KEY™.

Para reemplazar la batería:

1. Retire el paquete de baterías.
2. Retire el tornillo y abra la tapa de la batería.
3. Saque el panel de las baterías y retire la batería vieja. Mantenga fuera del alcance de los niños y deseche correctamente.
4. Inserte la nueva batería (3V CR2032), con el lado positivo hacia arriba.
5. Cierre la tapa de la batería y apriete el tornillo (s) con firmeza.

Emparejar un control remoto nuevo

1. Sujete el cabezal de la lámpara a una base conectada a la alimentación. No encienda la lámpara.
2. Retire los cuatro tornillos en la placa izquierda de rotación del cabezal de la lámpara. Retire la placa del cabezal de la lámpara.
3. Oprima y sostenga el botón de emparejamiento en el cabezal de la lámpara. Encienda el control remoto, oprima hacia arriba con la palanca de mando remoto y sostenga. Una vez emparejados, la lámpara comenzará a parpadear tres veces. Ahora está conectado el nuevo control remoto.
4. Vuelva a insertar la placa izquierda de rotación al cabezal de la lámpara, utilizando cuatro tornillos.



Cambio de baterías del control remoto

1. En la parte posterior del control remoto, destornille el único tornillo y levante la tapa de la batería para mostrar las mismas.
2. Reemplace con baterías AAA.
3. Coloque de nuevo la tapa de la batería en el control remoto y atornille con firmeza.

ADVERTENCIA Para reducir el riesgo de lesiones, descarga eléctrica o daño a la herramienta, nunca la sumerja en líquidos ni permita que estos fluyan dentro de la misma.

Limpieza

Limpie el polvo y suciedad de las cualquier ventilas. Mantenga los herramienta, limpios, secos y libres de aceite o grasa. Use solo jabón neutro y un trapo húmedo para limpiar, ya que algunos substancias y solventes limpiadores son dañinos a los plásticos y partes aislantes. Algunos de estos incluyen: gasolina, turpentina, thinner, lacas, thinner para pinturas, solventes para limpieza con cloro, amoníaco y detergentes caseros que tengan amonía. Nunca usa solventes inflamables o combustibles cerca de una herramienta.

Reparaciones

Si su herramienta, batería o cargador están dañados, envíela al centro de servicio más cercano.

ACCESORIOS

ADVERTENCIA Utilice sólo los accesorios específicamente recomendados. Otros accesorios puede ser peligroso.

Para una lista completa de accesorios, visite nuestro sitio en Internet: www.milwaukeetool.com o póngase en contacto con un distribuidor.

COMUNICACIÓN INALÁMBRICA

Para productos que cuentan con funciones de comunicación inalámbrica, incluida ONE-KEY™:

De conformidad con la parte 15.21 del Reglamento de FCC, no modifique este producto. La modificación podría ocasionar que se anule su autorización para operar el producto. Este dispositivo cumple con lo dispuesto en la parte 15 del Reglamento de la FCC así como las normas RSS de exención de licencia de ISED-Canada. La operación está sujeta a las siguientes dos condiciones: 1) Este dispositivo no debe ocasionar interferencia nociva y 2) este dispositivo debe aceptar cualquier interferencia que se reciba, incluyendo la interferencia que pueda ocasionar operación no deseada.

SOPORTE DE SERVICIO - MEXICO

CENTRO DE ATENCION A CLIENTES

Techtronic Industries Mexico, S.A. de C.V.
Av. Presidente Masarik 29 Piso 7
11560 Polanco V Seccion
Miguel Hidalgo, Distrito Federal, México
01 (800) 030-7777 o (55) 4160-3540
Lunes a Viernes (9am a 6pm)

O contáctanos en www.milwaukeetool.com.mx.

GARANTÍA LIMITADA - E.U.A. Y CANADÁ

Cada herramienta eléctrica* de MILWAUKEE (ver excepciones a continuación) está garantizada para el comprador original únicamente de que no tenga material y mano de obra defectuosos. Sujeto a ciertas excepciones, MILWAUKEE reparará o reemplazará cualquier parte en una herramienta eléctrica que tenga defectos de material o mano de obra según lo determine MILWAUKEE mediante una revisión, por un periodo de cinco (5) años** después de la fecha de compra a menos que se indique lo contrario. Al devolver la herramienta eléctrica a un Centro de Servicio de la fábrica de MILWAUKEE o a una Estación de Servicio Autorizada de MILWAUKEE, se requiere que el flete esté pagado por adelantado y asegurado. Se debe incluir una copia del comprobante de compra con el producto devuelto. Esta garantía no aplica a daños que MILWAUKEE determine que son ocasionados por reparaciones o intentos de reparaciones realizados por una persona que no sea personal autorizado de MILWAUKEE, uso indebido, alteraciones, maltrato, desgaste normal, falta de mantenimiento o accidentes.

PÓLIZA DE GARANTÍA - VALIDA SOLO PARA MEXICO, AMERICA CENTRAL Y EL CARIBE

Desgaste normal: Muchas herramientas eléctricas necesitan un reemplazo periódico de partes y servicio para lograr el mejor desempeño. Esta garantía no cubre la reparación cuando el uso normal ha agotado la vida de una parte, incluyendo sin limitar a mandriles, cepillos, cables, zapatas de la sierra, abrazaderas de la hoja, anillos en O, sellos, protectores, hojas de desatornilladores, pistones, herrajes, levatadores y arandelas de cubierta de los protectores.

*Esta garantía no cubre clavadoras y grapadoras neumáticas, pistola de pintura a presión, baterías inalámbricas, generadores de energía portátil de gasolina, herramientas de mano, palanca y cadena de mano de polipasto - eléctricas, indumentaria calefata M12™, producto recondicionado y productos de prueba y medición. Existen garantías por separado y distintas disponibles para estos productos.

**El periodo de garantía para los radios para obra, puerto de energía M12™, fuente de poder M18™, ventiladores para obra y carretillas de trabajo industrial Trade Titan™ es de un (1) año a partir de la fecha de compra. El periodo de garantía para los M18 FUEL™ 1" llaves de impacto de alto torque con d en empuñadura, cables de limpieza de drenaje y AIRSNAKE™ los accesorios de pistola de aire de limpieza de drenaje, y los niveles láser mediante USB REDLITHIUM® es de dos (2) años a partir de la fecha de compra. El periodo de garantía de la pistola de calor compacta M18™, extractor de polvo de 8 galones, M18™ enmarcar clavadoras, M18 FUEL™ 1/2" yunque prolongado torque controlado llave de impacto con ONE-KEY™, M18 FUEL™ 1" llave de impacto de alto esfuerzo de torsión con ONE-KEY™, M18 FUEL™ de 7,6 L compacto compresor silencioso, los niveles láser M12™, detector láser de 19,8 m, clavadora M12™ 23GA, M18 FUEL™ 6,4 mm ribeteadora ciega con ONE-KEY™, y raspador de neumáticos de baja velocidad M12 FUEL™ es de tres (3) años a partir de la fecha de compra. El periodo de garantía de las lámparas de LED en la Lámpara de trabajo LED y el Bulbo mejorado de LED para la Luz de trabajo es por la vida del producto sujeto a las limitaciones anteriores. Si durante el uso normal el LED o Bulbo de LED falla, la parte será reemplazada sin cargo.

No se requiere el registro de la garantía para obtener la garantía correspondiente a un producto de herramienta eléctrica de MILWAUKEE. La fecha de manufactura del producto se utilizará para determinar el periodo de garantía si no se proporciona comprobante de compra al solicitar el servicio en garantía.

LA ACEPTACIÓN DE LOS REMEDIOS EXCLUSIVOS DE REPARACIÓN Y REEMPLAZO AQUÍ DESCRITOS ES UNA CONDICIÓN DEL CONTRATO PARA LA COMPRA DE TODO PRODUCTO DE MILWAUKEE. SI USTED NO ACEPTA ESTA CONDICIÓN, NO DEBE COMPRAR EL PRODUCTO. MILWAUKEE NO SERÁ RESPONSABLE EN NINGÚN CASO DE DAÑOS INCIDENTALES, ESPECIALES, EMERGENTES O PUNITIVOS NI DE NINGÚN COSTO, HONORARIOS LEGALES, GASTOS, PÉRDIDAS O DEMORAS ALEGADOS COMO CONSECUENCIA DE ALGÚN DAÑO, FALLA O DEFECTO EN NINGÚN PRODUCTO, INCLUYENDO, ENTRE OTROS, RECLAMACIONES POR PÉRDIDA DE UTILIDADES. ALGUNOS ESTADOS NO PERMITEN LA EXCLUSIÓN O LIMITACIÓN DE RESPONSABILIDAD POR DAÑOS INCIDENTALES O EMERGENTES, POR LO QUE LA ANTERIOR LIMITACIÓN O EXCLUSIÓN PODRÍA NO APLICARSE EN SU CASO. ESTA GARANTÍA ES EXCLUSIVA Y REEMPLAZA TODAS LAS DEMÁS GARANTÍAS EXPRESAS, ESCRITAS U ORALES, EN LA MEDIDA EN QUE LO PERMITA LA LEY, MILWAUKEE DESCONOCE CUALQUIER GARANTÍA IMPLÍCITA, INCLUYENDO SIN LIMITACIÓN CUALQUIER GARANTÍA IMPLÍCITA DE COMERCIABILIDAD O IDONEIDAD PARA UN FIN O USO ESPECÍFICO: EN LA MEDIDA EN QUE DICHO DESCONOCIMIENTO NO SEA PERMITIDO POR LA LEY, DICHAS GARANTÍAS IMPLÍCITAS SE LIMITAN A LA DURACIÓN DE LA GARANTÍA EXPRESA CORRESPONDIENTE SEGÚN SE DESCRIBIÓ ANTERIORMENTE. ALGUNOS ESTADOS NO PERMITEN LIMITACIONES SOBRE LA DURACIÓN DE UNA GARANTÍA IMPLÍCITA, POR LO QUE LA ANTERIOR LIMITACIÓN PUDIERA NO APLICARSE A USTED. ESTA GARANTÍA LE DA DERECHOS LEGALES ESPECÍFICOS Y USTED PODRÍA ADEMÁS TENER OTROS DERECHOS QUE VARIAN DE UN ESTADO A OTRO.

La garantía de TECHTRONIC INDUSTRIES es por 5 años a partir de la fecha original de compra.

Esta tarjeta de garantía cubre cualquier defecto de material y mano de obra en ese Producto.

Para hacer válida esta garantía, presente esta tarjeta de garantía, cerrada/sellada por el distribuidor o la tienda donde compró el producto, al Centro de Servicio Autorizado (ASC). O, si esta tarjeta no se ha cerrado/sellado, presente la prueba original de compra a ASC. Llame 55 4160-3547 para encontrar el ASC más cercano, para servicio, partes, accesorios o componentes.

Procedimiento para hacer válida esta garantía

Lleve el producto a ASC, junto con la tarjeta de garantía cerrada/sellada por el distribuidor o la tienda donde compró el producto, y cualquier pieza o componente defectuoso se reemplazará sin costo para usted. Cubriremos todos los costos de flete con relación a este proceso de garantía

Excepciones

Esta garantía no tendrá validez en las siguientes situaciones:

- Quando el producto se use de manera distinta a la que indica el manual del usuario final o de instrucciones.
- Quando las condiciones de uso no sean normales.
- Quando otras personas no autorizadas por TECHTRONIC INDUSTRIES modifiquen o reparen el producto.

Nota: si el juego de cables está dañado, tiene que reemplazarse en un Centro de Servicio Autorizado para evitar riesgos eléctricos.

CENTRO DE SERVICIO Y ATENCIÓN

Llame al 55 4160-3547

IMPORTADO Y COMERCIALIZADO POR
TECHTRONIC INDUSTRIES, MEXICO, S.A. DE C.V.
Miguel de Cervantes Saavedra No.301 Piso 5, Torre Norte
11520 Colonia Ampliación Granada
Miguel Hidalgo, Ciudad de Mexico, Mexico

Modelo: _____

Fecha de Compra: _____

Sello del Distribuidor: _____

MILWAUKEE TOOL
13135 West Lisbon Road
Brookfield, WI 53005 USA

58140161d2
05/21

01611100101Q-02(A)
Printed in China