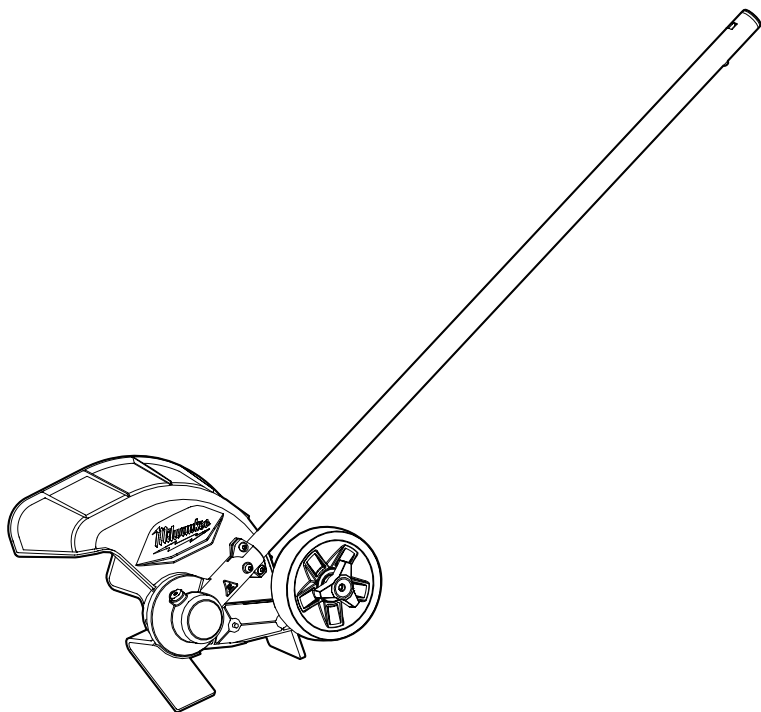




OPERATOR'S MANUAL
MANUEL de L'UTILISATEUR
MANUAL del OPERADOR



Cat. No. / No de Cat.
49-16-2795

M18 FUEL™ QUIK-LOK™ BED REDEFINER ATTACHMENT
ACCESSOIRE DE REDÉFINISSEUR DE LITAGE M18 FUEL™
QUIK-LOK™
ACCESORIO DE REDEFINIDOR DE LECHOS M18 FUEL™
QUIK-LOK™



WARNING To reduce the risk of injury, user must read and understand operator's manual.

AVERTISSEMENT Afin de réduire le risque de blessures, l'utilisateur doit lire et bien comprendre le manuel.

ADVERTENCIA Para reducir el riesgo de lesiones, el usuario debe leer y entender el manual.

GENERAL POWER TOOL SAFETY WARNINGS

⚠WARNING Read all safety warnings, instructions, illustrations and specifications provided with this power tool. Failure to follow all instructions listed below may result in electric shock, fire and/or serious injury. **Save all warnings and instructions for future reference.** The term "power tool" in the warnings refers to your mains-operated (corded) power tool or battery-operated (cordless) power tool.

WORK AREA SAFETY

- **Keep work area clean and well lit.** Cluttered or dark areas invite accidents.
- **Do not operate power tools in explosive atmospheres, such as in the presence of flammable liquids, gases or dust.** Power tools create sparks which may ignite the dust or fumes.
- **Keep children and bystanders away while operating a power tool.** Distractions can cause you to lose control.

ELECTRICAL SAFETY

- **Power tool plugs must match the outlet. Never modify the plug in any way. Do not use any adapter plugs with earthed (grounded) power tools.** Unmodified plugs and matching outlets will reduce risk of electric shock.
- **Avoid body contact with earthed or grounded surfaces, such as pipes, radiators, ranges and refrigerators.** There is an increased risk of electric shock if your body is earthed or grounded.
- **Do not expose power tools to rain or wet conditions.** Water entering a power tool will increase the risk of electric shock.
- **Do not abuse the cord. Never use the cord for carrying, pulling or unplugging the power tool. Keep cord away from heat, oil, sharp edges or moving parts.** Damaged or entangled cords increase the risk of electric shock.
- **When operating a power tool outdoors, use an extension cord suitable for outdoor use.** Use of a cord suitable for outdoor use reduces the risk of electric shock.
- **If operating a power tool in a damp location is unavoidable, use a ground fault circuit interrupter (GFCI) protected supply.** Use of an GFCI reduces the risk of electric shock.

PERSONAL SAFETY

- **Stay alert, watch what you are doing and use common sense when operating a power tool. Do not use a power tool while you are tired or under the influence of drugs, alcohol or medication.** A moment of inattention while operating power tools may result in serious personal injury.
- **Use personal protective equipment. Always wear eye protection.** Protective equipment such as a dust mask, non-skid safety shoes, hard hat or hearing protection used for appropriate conditions will reduce personal injuries.
- **Prevent unintentional starting. Ensure the switch is in the off-position before connecting to power source and/or battery pack, picking up or carrying the tool.** Carrying power tools with your finger on the switch or energizing power tools that have the switch on invites accidents.

- **Remove any adjusting key or wrench before turning the power tool on.** A wrench or a key left attached to a rotating part of the power tool may result in personal injury.
- **Do not overreach. Keep proper footing and balance at all times.** This enables better control of the power tool in unexpected situations.
- **Dress properly. Do not wear loose clothing or jewelry. Keep your hair and clothing away from moving parts.** Loose clothes, jewelry or long hair can be caught in moving parts.
- **If devices are provided for the connection of dust extraction and collection facilities, ensure these are connected and properly used.** Use of dust collection can reduce dust-related hazards.
- **Do not let familiarity gained from frequent use of tools allow you to become complacent and ignore tool safety principles.** A careless action can cause severe injury within a fraction of a second.

POWER TOOL USE AND CARE

- **Do not force the power tool. Use the correct power tool for your application.** The correct power tool will do the job better and safer at the rate for which it was designed.
- **Do not use the power tool if the switch does not turn it on and off.** Any power tool that cannot be controlled with the switch is dangerous and must be repaired.
- **Disconnect the plug from the power source and/or remove the battery pack, if detachable, from the power tool before making any adjustments, changing accessories, or storing power tools.** Such preventive safety measures reduce the risk of starting the power tool accidentally.
- **Store idle power tools out of the reach of children and do not allow persons unfamiliar with the power tool or these instructions to operate the power tool.** Power tools are dangerous in the hands of untrained users.
- **Maintain power tools and accessories. Check for misalignment or binding of moving parts, breakage of parts and any other condition that may affect the power tool's operation. If damaged, have the power tool repaired before use.** Many accidents are caused by poorly maintained power tools.
- **Keep cutting tools sharp and clean.** Properly maintained cutting tools with sharp cutting edges are less likely to bind and are easier to control.
- **Use the power tool, accessories and tool bits etc. in accordance with these instructions, taking into account the working conditions and the work to be performed.** Use of the power tool for operations different from those intended could result in a hazardous situation.
- **Keep handles and grasping surfaces dry, clean and free from oil and grease.** Slippery handles and grasping surfaces do not allow for safe handling and control of the tool in unexpected situations.

BATTERY TOOL USE AND CARE

- **Recharge only with the charger specified by the manufacturer.** A charger that is suitable for one type of battery pack may create a risk of fire when used with another battery pack.
- **Use power tools only with specifically designated battery packs.** Use of any other battery packs may create a risk of injury and fire.

- **When battery pack is not in use, keep it away from other metal objects, like paper clips, coins, keys, nails, screws or other small metal objects, that can make a connection from one terminal to another.** Shorting the battery terminals together may cause burns or a fire.
- **Under abusive conditions, liquid may be ejected from the battery; avoid contact. If contact accidentally occurs, flush with water. If liquid contacts eyes, additionally seek medical help.** Liquid ejected from the battery may cause irritation or burns.
- **Do not use a battery pack or tool that is damaged or modified.** Damaged or modified batteries may exhibit unpredictable behavior resulting in fire, explosion or risk of injury.
- **Do not expose a battery pack or tool to fire or excessive temperature.** Exposure to fire or temperature above 265°F (130°C) may cause explosion.
- **Follow all charging instructions and do not charge the battery pack or tool outside the temperature range specified in the instructions.** Charging improperly or at temperatures outside the specified range may damage the battery and increase the risk of fire.

SERVICE

- **Have your power tool serviced by a qualified repair person using only identical replacement parts.** This will ensure that the safety of the power tool is maintained.
- **Never service damaged battery packs.** Service of battery packs should only be performed by the manufacturer or authorized service providers.

SPECIFIC SAFETY RULES FOR BED REDEFINERS

- **Before use, read this manual, and all manuals and labels of this tool and its power head. Failure to follow the warnings and instructions may result in serious injury. Use tool only as described in this manual. Use only attachments recommended by MILWAUKEE.**
- **Always wear eye and hearing protection, and protective clothing and footwear, according to the operation being performed. Wear heavy, long pants, long sleeves, boots, and gloves. Contain long hair. Do not wear loose clothing or jewelry. Do not wear short pants, sandals, or go barefoot.**
- **Keep bystanders at least 50' away during use.** Objects may be thrown or ricochet in all directions.
- **This tool is for use in edging along hard surfaces, such as sidewalks, driveways, flower beds, curbs, and similar areas. Do not use the tool on or near gravel surfaces.**
- **Know your environment. Be cautious around uneven sidewalks and terrain, as well as other hazardous conditions. Always push the tool slowly over rough ground.**
- **Inspect the area before using the tool.** Remove all debris and hard objects such as rocks, glass, wire, etc. that can ricochet, be thrown, or otherwise cause injury or damage during operation.

- **⚠WARNING** Do not operate near electric power lines. The unit has not been designed to provide protection from electric shock in the event of contact with electric power lines. Consult local regulations for safe distances from electric power lines and ensure that the operating position is safe and secure before use.
- **Do not use an attachment extension with this tool attachment. The additional length will make this attachment difficult to control and could cause injury.**
- **Do not use the tool near anything that is burning or smoking such as cigarettes, matches, or hot ashes.**
- **To reduce the risk of health hazards from vapors or dust, do not use tool near toxic, carcinogenic or other hazardous materials such as asbestos, arsenic, barium, beryllium, lead, pesticides or other health endangering materials.**
- **Use care when using around decorative plants and other obstacles.** Accessories will cut/damage many materials.
- **Do not use brush cutting wheels, accessories, or attachment other than those recommended by MILWAUKEE.** Serious injury or product damage may occur.
- **Do not operate the tool without the guard in place. The guard must be attached properly during use.** Operating the tool without the guard will cause serious injury.
- **Do not use tool with a damaged head.** Cracked or broken pieces can be thrown.
- **Do not operate the tool without the front handle in place. The front handle must be attached properly during use. Use both hands when operating the tool, according to the attachment instructions. Maintain a firm grip.** Using one hand could cause loss of control and result in serious injury.
- **Keep face, hands and feet clear of moving parts at all times.** Moving parts can cause severe lacerations.
- **Always keep your right hand on the rear handle and your left hand on the front handle when the blade is rotating.**
- **Brace for unexpected movement when contact is made with a hard object.** Loss of control could result in serious injury.
- **Thrown objects may ricochet off of hard surfaces, such as walls, trees, and rocks and cause injury.** When possible, do trimming by hand in closed in areas.
- **Carry the tool by the front handle to avoid accidental starting.** Proper handling of the tool will prevent injury.
- **Always turn off the tool when transporting from one location to another. Do not carry tool with finger on the trigger.** Accidental starting can cause serious personal injury.
- **Hold the tool motionless until the blade comes to a complete stop. A coasting blade can cause injury.**
- **Keep all parts of your body back and to the left of the blade. Do not stand in line or to the right of the blade.**
- **Inspect tool for damage if contact is made with a hard object. If damaged, have the tool repaired before use.**
- **Remove battery pack and follow all instructions when clearing obstructions or jams.**

- Do not immerse in water or spray with a hose. Do not clean with a pressure washer. Water entering a power tool will increase the risk of electric shock. Store tool indoors.
- Do not store the power tool on or near to fertilizers or chemicals.
- Always turn off the tool and then remove battery pack before changing or removing accessories.
- Blade may be sharp. Replace worn blades. Always wear protective gloves when handling the blade.
- Hold the tool by insulated gripping surfaces only, because the tool may contact hidden wiring. Blades contacting a "live" wire may make exposed metal parts of the tool "live" and could give the operator an electric shock.
- When using this attachment with larger-capacity battery packs, use the shoulder strap to reduce user fatigue and help in maintaining control of the tool during use.
- Do not wear multiple shoulder straps simultaneously. When wearing a shoulder strap, ensure that no other wearable interferes with the release and removal of the strap.
- Always use common sense and be cautious when using tools. It is not possible to anticipate every situation that could result in a dangerous outcome. Do not use this tool if you do not understand these operating instructions or you feel the work is beyond your capability; contact Milwaukee Tool or a trained professional for additional information or training.
- Maintain labels and nameplates. These carry important information. If unreadable or missing, contact a MILWAUKEE service facility for a free replacement.

WARNING Some dust created by power sanding, sawing, grinding, drilling, and other construction activities contains chemicals known to cause cancer, birth defects or other reproductive harm. Some examples of these chemicals are:

- lead from lead-based paint
- crystalline silica from bricks and cement and other masonry products, and
- arsenic and chromium from chemically-treated lumber.

Your risk from these exposures varies, depending on how often you do this type of work. To reduce your exposure to these chemicals: work in a well ventilated area, and work with approved safety equipment, such as those dust masks that are specially designed to filter out microscopic particles.

READ AND SAVE ALL INSTRUCTIONS FOR FUTURE USE

SPECIFICATIONS	
Cat. No.	49-16-2795
For use with	M18 FUEL™ QUIK-LOK™ Power Heads
RPM	0 - 2000
Blade Arbor	1"
Blade Size	8.5"
Replacement Blade Cat. No.	42-26-0031

SYMBOLGY	
	Volts
	Direct Current

n₀ XXXX min⁻¹ No Load Revolutions per Minute (RPM)

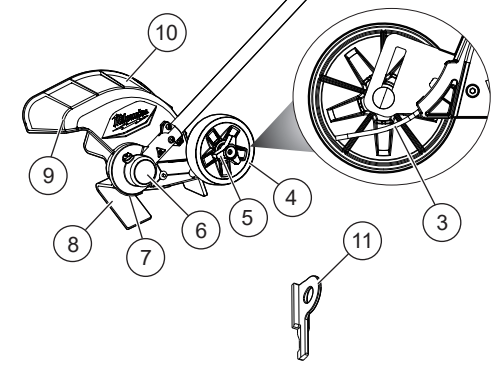
- Safety Alert Symbol
- Read operator's manual
- Always wear eye protection and use proper personal protective equipment.
- Wear non-slip safety footwear
- Wear protective gloves
- DANGER** Keep hands and feet away from blade.
- Keep bystanders at least 50' away during use.

DANGER Avoid blade contact during use.

CAUTION Surface is hot. Avoid contact.

UL Listing for Canada and U.S.

- | FUNCTIONAL DESCRIPTION | |
|------------------------|--------------------------------------|
| 1. | Detent |
| 2. | Attachment pole |
| 3. | Debris flap |
| 4. | Guide wheel |
| 5. | Guide wheel adjustment knob |
| 6. | Gear head |
| 7. | Guide plate |
| 8. | Blade |
| 9. | Sight line |
| 10. | Guard |
| 11. | Coupler retention key (not to scale) |



ASSEMBLY

WARNING Before use, read manual and labels of the power head. Important assembly and use instructions are provided in the power head manual. Connect the attachment to the power head in accordance with the power head manual.

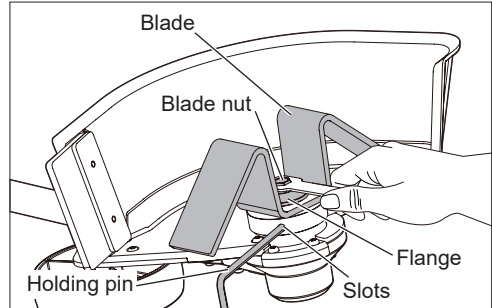
Do not operate the tool without the guard in place. The guard must be attached properly during use. Operating the tool without the guard will cause serious injury.

Always remove battery pack before changing or removing accessories.

Replacing the Blade

Always inspect blades before use and replace if worn or damaged.

1. **WARNING!** Remove battery to avoid starting the tool.
2. Turn the gear head on its side and rotate the blade until the slots align. Slide a 5 mm holding pin through the slots.



3. Use a 13 mm wrench or socket to loosen the blade nut (clockwise).
4. Remove the blade nut, flange, and blade.
5. Clean any debris from the flange, nut, and spindle.
6. Place the new blade flat on the spindle.
7. Place the flange and nut on the spindle. Tighten securely with a 13 mm wrench or socket (counterclockwise).

NOTE: Always make sure blade is undamaged, correctly installed, and securely fastened before each use.

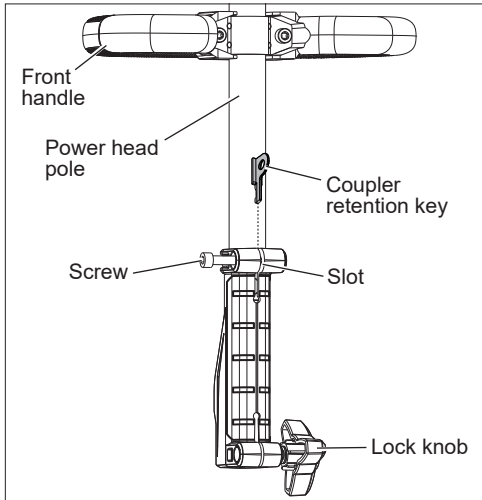
Installing the Coupler Retention Key to the QUIK-LOK™ Power Head

(Cat. No. 2825-20)

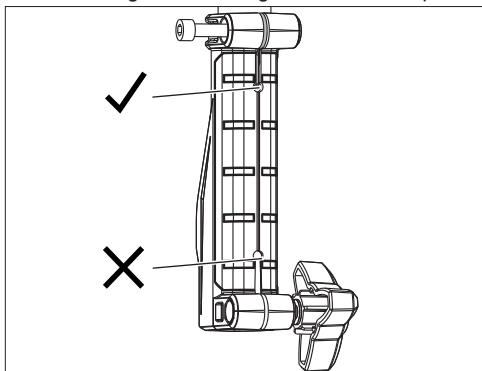
The bed redefiner is shipped with a coupler retention key. This key **must** be installed in the 2825-20 M18 FUEL™ Attachment System w/ QUIK-LOK™ Power Head before the power head can be used with the bed redefiner.

To **install** the coupler retention key:

1. **WARNING!** Remove battery to avoid starting the tool.
2. Loosen the screw on the power head pole, as shown below.



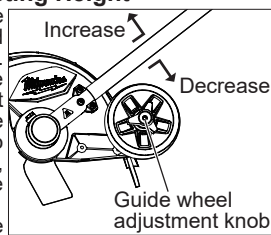
3. Place the coupler retention key inside the slot. **WARNING!** The key must be placed inside the slot facing the front handle. Do not place the key in the slot near the lock knob. This will cause issues in removing and installing the attachment pole.



4. Retighten the screw on the power head pole.

Adjusting Height

1. **WARNING!** Remove battery to avoid starting the tool.
2. Loosen the guide wheel adjustment knob and slide the guide wheel down to increase the height, or up to decrease the height.
3. Tighten the guide wheel adjusting knob securely.



WARNING! Do not wear multiple shoulder straps simultaneously. When wearing a shoulder strap, ensure that no other wearable interferes with the release and removal of the strap.

Attaching the Shoulder Strap

(Available as an accessory. Cat. No. 49-16-2722) Use the shoulder strap to reduce user fatigue and help in maintaining control of the tool during use.

To **install** the strap:

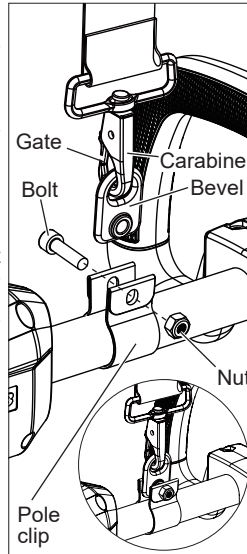
1. **WARNING!** Remove battery to avoid starting the tool.
2. Fit the pole clip around the power head pole between the front handle and rear handle in a location comfortable during use.
3. Insert the bolt through the pole clip and strap bevel. Thread the nut onto the bolt and tighten securely.
4. Clip the strap carabiner to the bevel.
5. Adjust the pole clip as needed to ensure the blade is at operating level.

To **wear** the strap:

1. Put your right arm and head through the strap.
2. Adjust the strap clips to change the strap length to fit comfortably.
3. Slide the neck pad to the appropriate position.

To **unclip** the strap:

1. Hold the tool by the front handle with your left hand.
2. Grip the carabiner with your right hand and unclip by pushing in the gate and it sliding off the bevel.



OPERATION

WARNING! To reduce the risk of injury, always wear proper eye protection marked to comply with ANSI Z87.1.

Always remove battery pack before changing or removing accessories or attachments.

Do not operate the tool without the front handle in place. The front handle must be attached properly for use. Using one hand could cause loss of control and result in serious injury.

Do not operate the tool without the guard in place. The guard must be attached properly during use. Operating the tool without the guard will cause serious injury.

Use both hands when operating the tool. Maintain a firm grip. Using one hand could cause loss of control and result in serious injury.

Inspect the area before use. Remove all debris and hard objects such as rocks, glass, wire, etc. that can ricochet, be thrown, or otherwise cause injury or damage during operation.

Keep all parts of your body back and to the left of the blade. Do not stand in line or to the right of the blade.

Selecting the Speed

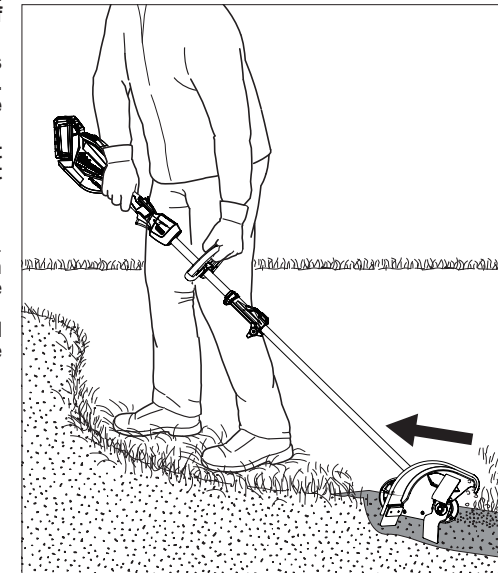
Use the speed control button to select the speed. Different power heads offer different speed selection options. Refer to your power head manual for more information.

Use lower speeds for larger jobs where extended battery life is needed. Use higher speeds for dense growth applications.

Operating the Attachment

Use this tool for recutting existing flowerbed edges to restore their sharp contours.

1. Grasp the tool firmly with your right hand on the rear handle and your left hand on the front handle. Always stand behind the guard. Hold the tool in a comfortable position with the rear handle about hip height.
2. To **start** the tool, squeeze the lock-off lever and pull the trigger.
3. To **vary** the speed, increase or decrease the pressure on the trigger. The further the trigger is pulled, the greater the speed up to the maximum set by the speed control button.
4. Slide the tool along the surface, taking care to avoid contact with hard objects.



5. Use the sight line to align the blade with the redefining surface.

6. Push the tool at a steady pace. If the blade begins to bog down, slow the cutting pace. Do not force the blade into the ground.

NOTE: Avoid operating in wet soil/grass. The blade guard may clog and cause unexpected results. If the blade guard becomes clogged, stop the tool, remove the battery pack, and clean debris from the blade guard.

MAINTENANCE

⚠️WARNING To reduce the risk of injury, always unplug the charger and remove the battery pack from the charger or tool before performing any maintenance. Never disassemble the battery pack, charger, or tool, except as provided in these instructions. Contact a MILWAUKEE service facility for all other repairs.

Maintaining Tool

Keep your tool, battery pack and charger in good repair by adopting a regular maintenance program. Inspect your tool for issues such as undue noise, misalignment or binding of moving parts, breakage of parts, or any other condition that may affect the tool operation. Return the tool, battery pack, and charger to a MILWAUKEE service facility for repair. After six months to one year, depending on use, return the tool, battery pack and charger to a MILWAUKEE service facility for inspection.

If the tool does not start or operate at full power with a fully charged battery pack, clean the contacts on the battery pack. If the tool still does not work properly, return the tool, charger and battery pack, to a MILWAUKEE service facility for repairs.

⚠️WARNING To reduce the risk of personal injury and damage, never immerse your tool, battery pack or charger in liquid or allow a liquid to flow inside them.

Cleaning

Clean dust and debris from any vents. Keep tool clean, dry and free of oil or grease. Use only mild soap and a damp cloth to clean, since certain cleaning agents and solvents are harmful to plastics and other insulated parts. Some of these include gasoline, turpentine, lacquer thinner, paint thinner, chlorinated cleaning solvents, ammonia and household detergents containing ammonia. Never use flammable or combustible solvents around tools.

Repairs

For repairs, return the tool, battery pack and charger to the nearest authorized service center.

ACCESSORIES

⚠️WARNING Use only recommended accessories. Others may be hazardous.

For a complete listing of accessories, go online to www.milwaukeetool.com or contact a distributor.

SERVICE - UNITED STATES

1-800-SAWDUST (1.800.729.3878)
Monday-Friday, 7:00 AM - 6:30 PM CST
or visit www.milwaukeetool.com

Contact Corporate After Sales Service Technical Support with technical, service/repair, or warranty questions.

Email: metproductsupport@milwaukeetool.com

Become a Heavy Duty Club Member at www.milwaukeetool.com to receive important notifications regarding your tool purchases.

SERVICE - CANADA

Milwaukee Tool (Canada) Ltd
1.877.948.2360
Monday-Friday, 7:00 AM - 4:30 PM CST
or visit www.milwaukeetool.ca

LIMITED WARRANTY USA & CANADA

Every MILWAUKEE Outdoor Power Equipment Product* (see exceptions below) is warranted to the original purchaser from an authorized MILWAUKEE distributor only to be free from defects in material and workmanship. Subject to certain exceptions, MILWAUKEE will repair or replace any part on an outdoor power equipment product which, after examination, is determined by MILWAUKEE to be defective in material or workmanship for a period of three (3) years** after the date of purchase unless otherwise noted. Return of the outdoor power equipment to a MILWAUKEE factory Service Center location or participating MILWAUKEE Authorized Service Station, freight prepaid and insured, is required. A copy of the proof of purchase should be included with the return product. This warranty does not apply to damage that MILWAUKEE determines to be from repairs made or attempted by anyone other than MILWAUKEE authorized personnel, misuse, alterations, abuse, normal wear and tear, lack of maintenance, or accidents. Normal Wear: Many outdoor power equipment products need periodic parts replacement and service to achieve best performance. This warranty does not cover repair when normal use has exhausted the life of a part including, but not limited to mower blades, trimmer head, trimmer head spool, cutting lines, blades, chains, blower tubes, brushes, o-rings, and seals.

*This warranty does not cover Cordless Battery Packs or Reconditioned Product. There are separate and distinct warranties available for these products.

**The warranty period for SWITCH TANK™ tank assemblies, hoses, handles, and wands are one (1) year from the date of purchase. MILWAUKEE does not cover freight or labor charges associated with the inspection and testing of outdoor power equipment products which are found by MILWAUKEE not to be a valid warranty claim. A valid warranty claim must be substantiated by the discovery of defective material or workmanship by MILWAUKEE.

ACCEPTANCE OF THE EXCLUSIVE REPAIR AND REPLACEMENT REMEDIES DESCRIBED HEREIN IS A CONDITION OF THE CONTRACT FOR THE PURCHASE OF EVERY MILWAUKEE PRODUCT. IF YOU DO NOT AGREE TO THIS CONDITION, YOU SHOULD NOT PURCHASE THE PRODUCT. IN NO EVENT SHALL MILWAUKEE BE LIABLE FOR ANY INCIDENTAL, SPECIAL, CONSEQUENTIAL, OR PUNITIVE DAMAGES, OR FOR ANY COSTS, ATTORNEY FEES, EXPENSES, LOSSES OR DELAYS ALLEGED TO BE AS A CONSEQUENCE OF ANY DAMAGE TO, FAILURE OF, OR DEFECT IN ANY PRODUCT INCLUDING, BUT NOT LIMITED TO, ANY CLAIMS FOR LOSS OF PROFITS. SOME STATES DO NOT ALLOW THE EXCLUSION OR LIMITATION OF INCIDENTAL OR CONSEQUENTIAL DAMAGES, SO THE ABOVE LIMITATION OR EXCLUSION MAY NOT APPLY TO YOU. THIS WARRANTY IS EXCLUSIVE AND IN LIEU OF ALL OTHER EXPRESS WARRANTIES, WRITTEN OR ORAL, TO THE EXTENT PERMITTED BY LAW. MILWAUKEE DISCLAIMS ANY IMPLIED WARRANTIES, INCLUDING WITHOUT LIMITATION ANY IMPLIED WARRANTY OF MERCHANTABILITY OR FITNESS FOR A PARTICULAR USE OR PURPOSE; TO THE EXTENT SUCH DISCLAIMER IS NOT PERMITTED BY LAW, SUCH IMPLIED WARRANTIES ARE LIMITED TO THE DURATION OF THE APPLICABLE EXPRESS WARRANTY AS DESCRIBED ABOVE. SOME STATES DO NOT ALLOW LIMITATIONS ON HOW LONG AN IMPLIED WARRANTY LASTS, SO THE ABOVE LIMITATION MAY NOT APPLY TO YOU, THIS WARRANTY GIVES YOU SPECIFIC LEGAL RIGHTS, AND YOU MAY ALSO HAVE OTHER RIGHTS WHICH VARY FROM STATE TO STATE.

This warranty applies to product sold in the U.S.A. and Canada only. Please consult the 'Service Center Search' in the Parts & Service section of MILWAUKEE's website www.milwaukeetool.com or call 1.800.SAWDUST (1.800.729.3878) to locate your nearest service facility for warranty and non-warranty service on a MILWAUKEE electric power tool.

RÈGLES DE SÉCURITÉ GÉNÉRALES RELATIVES AUX OUTILS ÉLECTRIQUES

⚠️AVERTISSEMENT Lire toutes les consignes de sécurité, consignes, illustrations et spécifications fournies avec cet outil électrique. Ne pas suivre l'ensemble des règles et instructions peut entraîner une électrocution, un incendie ou des blessures graves. Conserver les règles et les instructions à des fins de référence ultérieure. Le terme «outil électrique» figurant dans les avertissements ci-dessous renvoie à l'outil électrique à alimentation par le réseau (à cordon) ou par batterie (sans fil).

SÉCURITÉ DU LIEU DE TRAVAIL

- Veillez à ce que l'aire de travail soit propre et bien éclairée. Le désordre et le manque de lumière favorisent les accidents.
- Ne pas utiliser d'outils électriques dans des atmosphères explosives, par exemple en présence de liquides, gaz ou poussières inflammables. Les outils électriques produisent des étincelles risquant d'enflammer les poussières ou vapeurs.
- S'assurer que les enfants et les curieux se trouvent à une bonne distance au moment d'utiliser un outil électrique. Les distractions peuvent causer une perte de contrôle.

SÉCURITÉ ÉLECTRIQUE

- Les fiches des outils électriques doivent correspondre à la prise secteur utilisée. Ne jamais modifier la fiche, de quelque façon que ce soit. Ne jamais utiliser d'adaptateurs de fiche avec des outils mis à la terre. Les fiches et prises non modifiées réduisent le risque de choc électrique.
- Éviter tout contact avec des surfaces mises à la terre comme des tuyaux, des radiateurs, des cuisinières et des réfrigérateurs. Le risque de choc électrique est accru lorsque le corps est mis à la terre.
- Ne pas exposer les outils électriques à l'eau ou l'humidité. La pénétration d'eau dans ces outils accroît le risque de choc électrique.
- Ne pas maltraiter le cordon d'alimentation. Ne jamais utiliser le cordon d'alimentation pour transporter l'outil électrique et ne jamais débrancher ce dernier en tirant sur le cordon. Garder le cordon à l'écart de la chaleur, de l'huile, des objets tranchants et des pièces en mouvement. Un cordon endommagé ou emmêlé accroît le risque de choc électrique.
- Pour les travaux à l'extérieur, utiliser un cordon spécialement conçu à cet effet. Utiliser un cordon conçu pour l'usage extérieur réduit les risques de choc électrique.
- Si l'utilisation d'un outil électrique est inévitable dans un endroit humide, utiliser une source d'alimentation munie d'un disjoncteur de fuite de terre. L'utilisation d'un disjoncteur de fuite de terre réduit le risque de choc électrique.

SÉCURITÉ INDIVIDUELLE

- Rester attentif, prêter attention au travail et faire preuve de bon sens lors de l'utilisation de tout outil électrique. Ne pas utiliser cet appareil en cas de fatigue ou sous l'influence de l'alcool, de drogues ou de médicaments. Un moment d'inattention pendant l'utilisation d'un outil électrique peut entraîner des blessures graves.

- Porter l'équipement de protection individuel requis. Toujours porter une protection oculaire. Selon les conditions, porter aussi un masque anti-poussières, des bottes de sécurité antidérapantes, un casque protecteur ou une protection auditive afin de réduire les blessures.
- Empêcher les démarrages accidentels. S'assurer que la gâchette est en position d'arrêt avant de brancher l'outil à une source de courant, d'insérer la batterie, de le ramasser ou de le transporter. Le fait de transporter un outil électrique en gardant le doigt sur la gâchette ou de mettre sous tension un outil électrique lorsque la gâchette est en position de marche favorise les accidents.
- Retirer les clés de réglage avant de mettre l'outil en marche. Une clé laissée sur une pièce rotative de l'outil peut causer des blessures.
- Ne pas travailler hors de portée. Toujours se tenir bien campé et en équilibre. Une bonne stabilité procure un meilleur contrôle de l'outil électrique en cas d'imprévu.
- Porter une tenue appropriée. Ne porter ni vêtements amples, ni bijoux. Garder les cheveux et les vêtements à l'écart des pièces en mouvement. Les vêtements flottants, les bijoux ou les cheveux longs risquent d'être happés par les pièces en mouvement.
- Si les outils sont équipés de dispositifs de dé poussiérage, s'assurer qu'ils sont connectés et correctement utilisés. L'utilisation d'un collecteur de poussière permet de réduire les dangers liés à la poussière.
- Ne pas laisser la familiarité avec l'outil acquise par une utilisation fréquente vous rendre suffisant et vous amener à ignorer les règles de sécurité. Une utilisation négligée peut causer une blessure grave en une fraction de seconde.

UTILISATION ET ENTRETIEN DE L'OUTIL ÉLECTRIQUE

- Ne pas forcer l'outil électrique. Utiliser l'outil électrique approprié pour l'application. Un outil électrique approprié exécutera le travail mieux et de façon moins dangereuse s'il est utilisé dans les limites prévues.
- Ne pas utiliser l'outil électrique si le commutateur ne permet pas de le mettre en marche ou de l'arrêter. Tout outil électrique qui ne peut pas être contrôlé par son commutateur est dangereux et doit être réparé.
- Débrancher l'outil et/ou retirer le bloc-piles, si possible, avant d'effectuer des réglages, de changer d'accessoire ou de remiser l'outil. Ces mesures de sécurité préventives réduisent les risques de démarrage accidentel de l'outil.
- Entreposer l'outil électrique hors de la portée des enfants et interdire à quiconque de l'utiliser si la personne ne connaît pas bien le produit ou les instructions. Les outils électriques sont dangereux dans les mains d'utilisateurs novices.
- Entretenir les outils électriques et les accessoires. Vérifier qu'aucune pièce mobile n'est mal alignée ou bloquée, qu'aucune pièce n'est brisée et s'assurer qu'aucun autre problème risqué d'affecter le bon fonctionnement de l'outil. En cas de dommages, faire réparer l'outil avant de l'utiliser. Plusieurs accidents sont causés par des produits mal entretenus.

- **Garder les outils bien affûtés et propres.** Des outils correctement entretenus et dont les tranchants sont bien affûtés risquent moins de se bloquer et sont plus faciles à contrôler.
- **Utiliser l'outil électrique, les accessoires, les embouts etc. conformément à ces instructions en tenant compte des conditions de travail et de la tâche à effectuer.** L'usage d'un outil électrique pour des applications pour lesquelles il n'est pas conçu peut être dangereux.
- **Garder les poignées et les surfaces de préhension sèches, propres et exemptes d'huile ou de graisse.** Des poignées et des surfaces de préhension glissantes ne permettent pas de manipuler et de contrôler l'outil en toute sécurité en cas de situation imprévue.

UTILISATION ET ENTRETIEN DE LA BATTERIE

- **Pour recharger le bloc-piles, utiliser seulement le chargeur spécifié par le fabricant.** Un chargeur pouvant convenir à un type de bloc-piles peut entraîner un risque d'incendie lorsqu'il est utilisé avec un autre type de bloc-piles.
- **N'utiliser l'outil électrique qu'avec une batterie recommandée.** L'utilisation de tout autre bloc-piles peut créer un risque de blessures et d'incendie.
- **Lorsque le bloc-piles n'est pas utilisé, le tenir éloigné des objets en métal tels que les trombones, les pièces de monnaie, les clés, les clous, les vis ou d'autres petits objets métalliques qui pourraient connecter les bornes.** Le court-circuitage des bornes d'une pile peut entraîner des brûlures ou un incendie.
- **Éviter tout contact avec le liquide pouvant être éjecté de la pile en cas de manutention abusive. En cas de contact accidentel, rincer immédiatement les parties atteintes avec de l'eau. Si le liquide entre en contact avec les yeux, consulter un médecin.** Le liquide éjecté des piles peut causer des irritations ou des brûlures.
- **N'utiliser aucun bloc-piles ni aucun outil ayant été endommagé ou modifié.** Des piles endommagées ou modifiées peuvent adopter un comportement imprévisible pouvant causer un incendie, une explosion ou le risque de blessures.
- **Ne pas exposer le bloc-piles ou l'outil aux flammes ou à une température excessive.** Une exposition aux flammes ou à une température supérieure à 130°C (265°F) peut causer une explosion.
- **Suivre toutes les instructions de charge et ne pas charger le bloc-piles ou l'outil en dehors de la plage de température spécifiée.** Une charge incorrecte ou à des températures en dehors de la plage spécifiée peut endommager la pile et augmenter le risque d'incendie.

ENTRETIEN

- **Les réparations de l'outil électrique doivent être confiées à un technicien qualifié, utilisant exclusivement des pièces identiques à celles d'origine.** Le maintien de la sûreté de l'outil électrique sera ainsi assuré.
- **Ne jamais effectuer la réparation d'un bloc-piles endommagé.** La réparation du bloc-piles doit être réalisée par le fabricant ou les fournisseurs de service agréés uniquement.

RÈGLES DE SÉCURITÉ SPÉCIFIQUES POUR RÉDEFINISSEURS DE LITAGE

- **Veillez lire ce manuel, ainsi que tous les manuels et les étiquettes de cet outil et son bloc moteur avant de les utiliser. Ne pas suivre les avertissements et les instructions pourra entraîner des blessures graves. Utiliser exclusivement l'outil selon les instructions de ce manuel. Utiliser uniquement les accessoires recommandés par MILWAUKEE.**
- **Toujours porter une protection oculaire et une protection auditive, ainsi que des vêtements et des chaussures de sécurité selon l'opération en question. Porter des pantalons longs, des manches longues, des chaussures de travail et des gants épais. Attacher ou couvrir les cheveux longs.** Ne porter ni vêtements amples, ni bijoux. Ne pas porter de shorts, sandales et ne pas travailler pieds nus.
- **Ne laisser personne s'approcher à moins de 15 m (50').** Les objets pourront être lancés ou projetés dans toutes les directions.
- **Cet outil a été conçu pour couper autour des surfaces dures, tels que les trottoirs, les entrées de garages, les massifs de fleurs, les bords de trottoirs et des espaces similaires. Ne pas utiliser l'outil sur ou à proximité de surfaces gravillonnées.**
- **Connaissance de votre environnement. Faire attention aux trottoirs irréguliers, aux trous dans le terrain ainsi qu'aux autres situations présentant un danger. Toujours pousser lentement l'outil sur les terrains irréguliers.**
- **Inspecter l'espace avant d'utiliser l'outil.** Retirer tous les débris et les objets durs tels que les pierres, le verre, le câblage, etc. qui pourraient être lancés, projetés ou bien causer des lésions ou dommages durant l'opération.
- **AVERTISSEMENT** **Ne pas opérer autour de lignes électriques.** L'unité n'a pas été conçue pour doter de la protection contre les chocs électriques au cas de contact avec les lignes électriques. Veuillez consulter les réglementations à propos des distances sécuritaires par rapport à des lignes électriques ; veuillez s'assurer que la position d'opération soit en toute sécurité et sûreté avant son utilisation.
- **Ne pas utiliser une extension avec cet accessoire d'outil. La longueur supplémentaire fera qu'il soit difficile de contrôler l'accessoire et provoquera des blessures.**
- **Ne pas utiliser cet outil auprès d'éléments qui brûlent ou qui fument** comme des cigarettes, des allumettes ou des cendres chaudes.
- **Afin de minimiser le risque de risque pour la santé provoqués par les vapeurs ou la poussière, ne pas utiliser cet outil auprès de matériaux toxiques, cancérigènes ou dangereux pour l'outil, tels que l'amiante, l'arsénique, le baryum, le plomb, les pesticides et d'autres matériaux nuisibles à la santé.**
- **Prendre du soin lorsque vous utilisez l'outil auprès de plantes décoratives ainsi que d'autres obstacles.** Les accessoires couperont / endommageront beaucoup de matériaux.

- **Ne pas utiliser de molettes de coupe à balais ni d'accessoire différent à ceux recommandés par MILWAUKEE.** Des lésions graves ou dommages dans les produits pourront survenir.
- **Ne pas opérer l'outil sans avoir premièrement installée le carter. Il faut bien installer le carter durant l'utilisation.** Opérer l'outil sans son carter provoquera de blessures graves.
- **Ne pas utiliser l'outil avec une tête endommagée.** Les pièces cassées ou fissurées pourront être projetées.
- **Ne pas opérer l'outil sans avoir premièrement installée la poignée avant. Il faut bien installer la poignée avant l'utilisation.** Utiliser l'outil à deux mains lorsque vous opérez l'outil, ceci selon les consignes de l'accessoire. Maintenir une prise ferme. L'utilisation à une main pourra causer la perte de contrôle et des lésions graves pourront survenir.
- **Toujours tenir le visage, les mains et les pieds loin des pièces en mouvement.** Les pièces en mouvement peuvent provoquer des lacérations graves.
- **Lorsque la lame est en rotation, toujours tenir outil avec la main droite sur la poignée arrière et la main gauche sur la poignée avant.**
- **Se tenir fortement lorsqu'un mouvement imprévu se produit à l'occasion du contact avec un objet dur.** La perte de contrôle peut entraîner des blessures graves.
- **Les objets lancés pourront être projetés et rebondir sur des surfaces dures, tels que les murs, les arbres et les pierres, en provoquant des lésions.** Faire l'élagage à main dans des espaces clos.
- **Emporter l'outil par la poignée avant afin d'éviter les démarrages accidentels.** La manipulation adéquate de l'outil évitera la lésion.
- **Toujours éteindre l'outil lors de sa transportation d'un espace à un autre.** Ne pas amener l'outil avec le doigt mis sur la gâchette. Le démarrage accidentel peut causer des blessures graves.
- **Maintenir l'outil immobile jusqu'à ce que la lame parvienne à l'arrêt complet. Une lame continuant pourra causer des blessures.**
- **Tenir toutes les parties du corps à l'arrière et à gauche de la lame. Ne pas se tenir debout de la ligne ni à droite de la lame.**
- **Inspecter l'outil pour savoir s'il y a des dommages au cas qu'il entre en contact avec un objet dur. En cas de dommages, faire réparer l'outil avant l'utilisation.**
- **Retirer le bloc-piles et suivre toutes les instructions lorsque vous retirez les obstructions et débris coincés.**
- **Ne pas l'immerger dans l'eau ni vaporiser avec un tuyau. Ne pas nettoyer à l'eau sous pression.** La pénétration d'eau dans ces outils accroît le risque de choc électrique. Entreposer l'outil à l'intérieur.
- **Ne pas entreposer l'outil électrique auprès ni sur de substances chimiques ni de fertilisants.**
- **Toujours éteindre l'outil et après, retirer le bloc-piles avant de changer ou enlever les accessoires.**
- **La lame est tranchante. Remplacer les lames usées. Toujours porter des gants protecteurs lors de la manipulation de la lame.**
- **Ne tenir l'outil que par les surfaces de prise isolées parce que l'outil pourra entrer en contact avec le câblage caché.** Le contact d'une lame avec un fil sous tension « électrifie » les pièces métalliques exposées de l'outil et peut électrocuter l'utilisateur.

- **Lors de l'utilisation de cet accessoire jumelé à des blocs-piles ayant une plus haute capacité, utiliser la bandoulière pour minimiser la fatigue de la part de l'utilisateur et contribuer à contrôler l'outil durant son utilisation.**
- **Ne pas porter plusieurs bandoulières en même temps. Lorsque vous portez une bandoulière, constater qu'aucun autre élément portable ne risque d'empêcher la libération et l'enlèvement de la bandoulière.**
- **Toujours faire preuve de bons sens et procéder avec prudence lors de l'utilisation d'outils.** C'est impossible de prévoir toutes les situations dont le résultat est dangereux. Ne pas utiliser cet outil si vous ne comprenez pas ces instructions d'opération ou si vous pensez que le travail dépasse votre capacité ; veuillez contacter Milwaukee Tool ou un professionnel formé pour recevoir plus d'information ou formation.
- **Maintenir en l'état les étiquettes et les plaques d'identification.** Des informations importantes y figurent. Si elles sont illisibles ou manquantes, contacter un centre de services et d'entretien MILWAUKEE pour un remplacement gratuit.
- **AVERTISSEMENT** Certaines poussières générées par les activités de ponçage, de coupe, de rectification, de perforage et d'autres activités de construction contiennent des substances considérées être la cause de malformations congénitales et de troubles de l'appareil reproducteur. Parmi ces substances figurent :
 - le plomb contenu dans les peintures à base de plomb ;
 - la silice cristalline des briques, du ciment et d'autres matériaux de maçonnerie, ainsi que
 - l'arsenic et le chrome des sciages traités chimiquement. Les risques encourus par l'opérateur envers ces expositions varient en fonction de la fréquence de ce type de travail. Pour réduire l'exposition à ces substances chimiques, l'opérateur doit : travailler dans une zone bien ventilée et porter l'équipement de sécurité approprié, tel qu'un masque anti-poussière spécialement conçu pour filtrer les particules microscopiques.

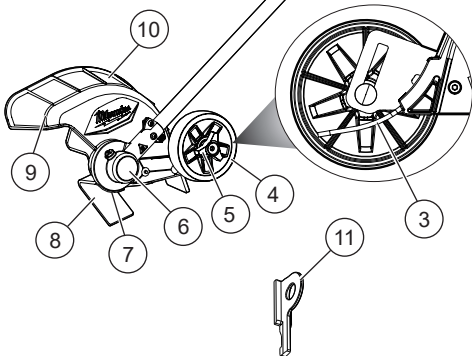
LIRE ET CONSERVER TOUTES LES INSTRUCTIONS POUR UTILISATION FUTURE

SPÉCIFICATIONS

No de Cat.....	49-16-2795
À utiliser avec	M18 FUEL™ blocs-moteur QUIK-LOK™
RPM.....	0 - 2 000
Arbre de la lame	25 mm (1")
Taille de lame.....	218 mm (8,5")
Lame de rechange no de cat.....	42-26-0031

FUNCTIONAL DESCRIPTION

1. Cran d'arrêt
2. Élagueuse
3. Bavette à débris
4. Molette de guide
5. Bouton de réglage de roulette de guidage
6. Tête motrice
7. Plaque du guide
8. Lame
9. Ligne de mire
10. Garde
11. Retenue pour coupleur (pas à l'échelle)



PICTOGRAPHIE

- Volts
- Courant direct
- n_0 XXXX min⁻¹ Tours-minute à vide (RPM)
- Symbole d'alerte de sécurité.
- Lire le manuel d'utilisation.
- Toujours porter une protection oculaire et l'équipement de protection individuelle.
- Porter des chaussures de sécurité antidérapantes.
- Porter des gants de protection.
- ⚠ DANGER** Garder les mains et les parties du corps à l'écart des lames.
- Ne laisser personne s'approcher à moins de 15 m (50').
- ⚠ DANGER** Évite que la lame entre en contact durant l'utilisation.
- ⚠ ATTENTION** La surface est chaude. Éviter tout contact.
- UL Listing Mark pour Canada et États-unis

MONTAGE DE L'OUTIL

⚠ AVERTISSEMENT Avant de son utilisation, lire le manuel et les étiquettes du bloc moteur. Des consignes importantes à propos de l'utilisation et l'assemblage sont fournies dans le manuel du bloc moteur. Brancher l'accessoire sur le bloc moteur selon les consignes qui se trouvent dans le manuel du bloc moteur.

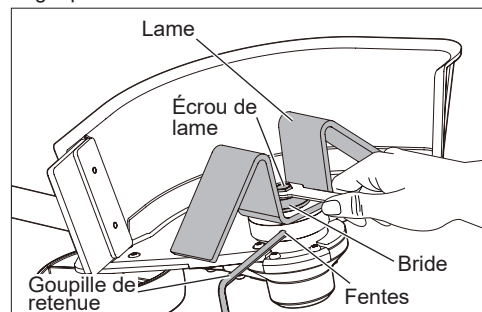
Ne pas opérer l'outil sans avoir premièrement installée le carter. Il faut bien installer le carter durant l'utilisation. Opérer l'outil sans son carter provoquera de blessures graves.

Toujours retirer le bloc-piles avant de changer ou enlever les accessoires.

Remplacement de la lame

Toujours inspecter les lames avant de les utiliser et les remplacer pour vérifier si elles sont usées ou endommagées.

1. **⚠ AVERTISSEMENT !** Retirez la batterie pour éviter de démarrer l'outil.
2. Tourner la tête motrice de côté et tourner la lame jusqu'à ce que les fentes s'alignent. Glisser une goupille de retenue de 5 mm à travers les fentes.



3. Utiliser une clé ou une douille de 13 mm pour desserrer l'écrou de la lame (vers la droite).
4. Enlever l'écrou de la lame, la bride et la lame.
5. Retirer tous les débris de la bride, l'écrou et la broche.
6. Mettre la nouvelle lame à plat sur la broche.
7. Mettre la bride et l'écrou dans la broche. La serrer fermement à l'aide de une clé ou une douille de 13 mm (à gauche).

REMARQUE : S'assurer que la lame n'est pas endommagée, est correctement installée et solidement assujettie avant chaque utilisation.

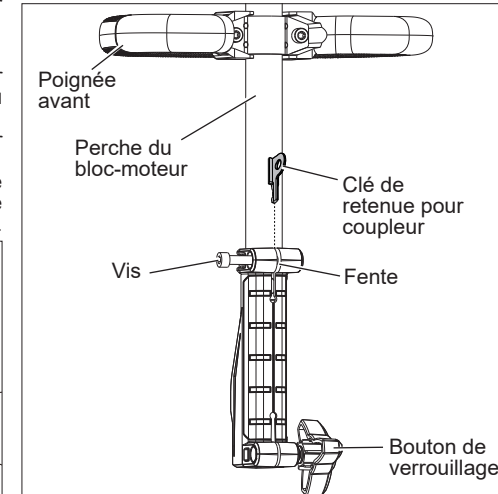
Installation de la clé de retenue pour coupleur dans le bloc-moteur QUIK-LOK™

(No de cat. 2825-20)

Le redéfinitseur de litage est livré avec une clé de retenue pour coupleur. Cette clé doit être installée dans le 2825-20 système d'accessoires M18 FUEL™ avec bloc-moteur QUIK-LOK™ avant que le bloc moteur soit en mesure d'être utilisé avec le redéfinitseur.

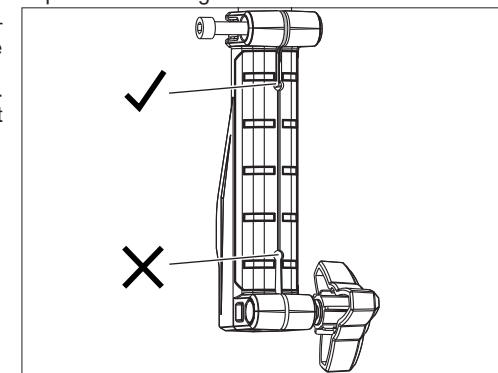
Pour installer la clé :

1. **⚠ AVERTISSEMENT !** Retirez la batterie pour éviter de démarrer l'outil.
2. Desserrer la vis dans la perche du bloc-moteur, comme illustré ci-dessous.



3. Mettre la clé de retenue pour coupleur dans la fente.

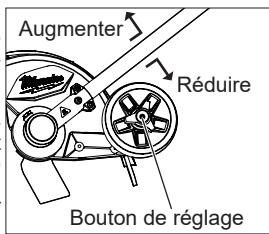
⚠ AVERTISSEMENT ! Il faut mettre la clé dans la fente tout en la dirigeant vers la poignée avant. Ne pas mettre la clé dans la fente qui est près du bouton de verrouillage. Ceci causera des problèmes durant l'enlèvement et l'installation de la perche de rallonge.



4. Resserrer la vis dans la perche du bloc-moteur.

Ajustage de la hauteur

- AVERTISSEMENT !** Retirez la batterie pour éviter de démarrer l'outil.
- Desserrer le bouton de réglage de roulette de guidage et glisser la roulette de guidage vers le bas pour augmenter la hauteur, ou bien vers le haut pour la réduire.
- Serrer le bouton de réglage de roulette de guidage fermement.



AVERTISSEMENT Ne pas porter plusieurs bandoulières en même temps. Lorsque vous portez une bandoulière, constater qu'aucun autre élément portable ne risque d'empêcher la libération et l'enlèvement de la bandoulière.

Installation de la bandoulière

(Disponible en tant qu'accessoire.

No de Cat. 49-16-2722)

Lorsque vous utilisez cette pièce jointe avec des blocs-piles de grande capacité, utilisez la sangle d'épaule pour réduire la fatigue de l'utilisateur et aider à maintenir le contrôle de l'outil pendant l'utilisation. Pour installer la bandoulière :

- AVERTISSEMENT !** Retirez la batterie pour éviter de démarrer l'outil.

2. Convenir le clip de l'élagueuse autour de l'élagueuse du bloc moteur entre la poignée latérale et la poignée arrière dans un emplacement confortable durant l'utilisation.

3. Insérer le boulon à travers du clip de l'élagueuse et le biseau de la bandoulière. Visser l'écrou sur le boulon et le serrer fermement.

4. Attacher le clip du mousqueton de la bandoulière dans le biseau.

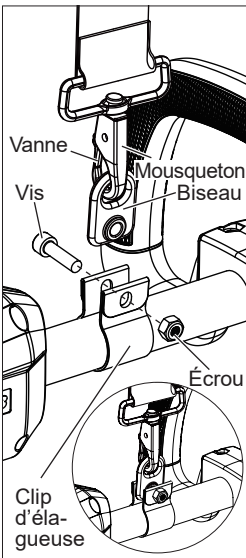
5. Ajuster le clip de la perche au besoin pour s'assurer que la lame se rend à niveau d'opération.

Pour porter la bandoulière :

- Faire passer le bras droit et la tête en dessous de la bandoulière.
- Ajuster les clips de la bandoulière pour changer sa longueur à une position convenable et confortable.
- Glisser la nuquière vers la position appropriée.

Pour détacher la bandoulière :

- Tenir l'outil par la poignée avant avec votre main gauche.
- Tenir le mousqueton avec la main droite et détacher le clip en appuyant sur la vanne et en le glissant dehors du biseau.



MANIEMENT

AVERTISSEMENT Afin de minimiser le risque de blessures, toujours porter la protection oculaire appropriée certifiée conforme à la norme ANSI Z87.1.

Toujours retirer le bloc-piles avant de changer ou enlever les accessoires.

Ne pas opérer l'outil sans avoir premièrement installée la poignée avant. Il faut bien installer la poignée avant pour l'utilisation. L'utilisation à une main pourra causer la perte de contrôle et des lésions graves pourront survenir.

Ne pas opérer l'outil sans avoir premièrement installée le carter. Il faut bien installer le carter durant l'utilisation. Opérer l'outil sans son carter provoquera de blessures graves.

Utiliser les deux mains lors de l'opération de l'outil. Maintenir une prise ferme. L'utilisation à une main pourra causer la perte de contrôle et des lésions graves pourront survenir.

Inspecter la surface avant de l'utiliser. Retirer tous les débris et les objets durs tels que les pierres, le verre, le câblage, etc. qui pourraient être lancés, projetés ou bien causer des lésions ou dommages durant l'opération.

Tenir toutes les parties du corps à l'arrière et à gauche de la lame. Ne pas se tenir debout de la ligne ni à droite de la lame.

Sélection de la vitesse

Utilisez le bouton de contrôle de la vitesse pour sélectionner la vitesse. Différents blocs-moteur offrent différentes options de sélection de vitesse. Reportez-vous au manuel de votre blocs-moteur pour plus d'informations.

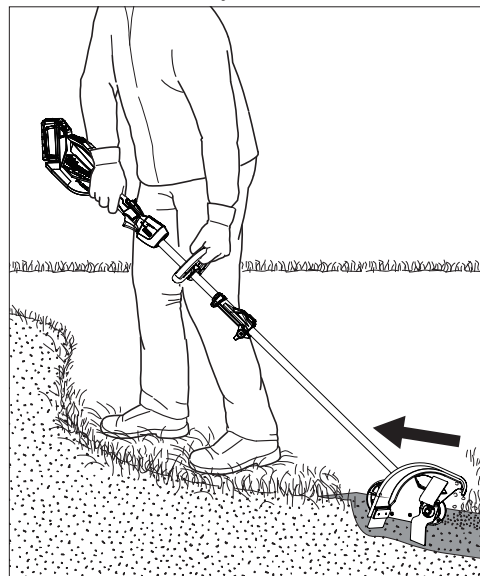
Utilisez des vitesses inférieures pour les travaux plus importants nécessitant une autonomie prolongée de la batterie. Utilisez des vitesses plus élevées pour les applications à croissance dense.

Utilisation de l'accessoire

Utiliser cet outil pour couper à nouveau les rebords des lits de fleurs pour restituer ses contours tranchants.

- Tenir fermement l'outil avec la main droite sur la poignée arrière et la main gauche sur la poignée avant. Toujours rester à l'arrière du carter. L'outil doit être tenu dans une position confortable, la poignée arrière se trouvant à peu près à hauteur de la taille.
- Pour démarrer l'outil, tirer sur le levier de verrouillage et appuyer sur la gâchette.
- Pour changer la vitesse, augmenter ou réduire la pression exercée sur la gâchette. Plus la gâchette est enfoncée, plus la vitesse est grande, jusqu'à la vitesse maximale réglée sur le bouton de commande de vitesse.

- Glisser l'outil le long de la surface, en évitant tout contact avec des objets durs.



- Utiliser la ligne de mire pour aligner la lame à la surface de redéfinition.
- Appuyer sur l'outil à un rythme soutenu. Si la lame commence à embourber, ralentir le rythme de coupe. Ne pas forcer la lame dans la terre.

REMARQUE : Éviter couper les bords de la pelouse/la terre humide. Le garde-lame pourra se coincer et causer de résultats imprévus. Si le protège-lame s'encrasse, arrêter l'outil, retirer le bloc-piles et retirer les débris du protège-lame.

ENTRETIEN

AVERTISSEMENT Pour minimiser les risques de blessures corporelles, débranchez le chargeur et retirez la batterie du chargeur ou de l'outil avant d'y effectuer des travaux d'entretien. Ne jamais démonter le bloc-piles, le chargeur ou la batterie, sauf si ces instructions indiquent faire une telle chose. Pour toute autre réparation, contacter un centre de service de MILWAUKEE.

Entretien de l'outil

Gardez l'outil en bon état en adoptant un programme d'entretien ponctuel. Inspectez votre outil pour des questions telles que le bruit excessif, de grippage des pièces mobiles, de pièces cassées ou toute autre condition qui peut affecter le fonctionnement de l'outil. Retournez votre outil à un centre de service MILWAUKEE accrédité pour obtenir le service. Après une période pouvant aller de 6 mois à un an, selon l'usage, retournez votre outil à un centre de service MILWAUKEE accrédité pour d'inspection.

Si l'outil ne démarre pas ou ne fonctionne pas à pleine puissance alors qu'il est branché sur une batterie complètement chargée, nettoyez les points de contact entre la batterie et l'outil. Si l'outil ne fonctionne toujours pas correctement, renvoyez l'outil, le chargeur et la batterie à un centre de service MILWAUKEE accrédité.

AVERTISSEMENT Pour minimiser les risques de blessures ou de dommages à l'outil, n'immergez jamais l'outil, la batterie ou le chargeur et ne laissez pas de liquide s'y infiltrer.

Nettoyage

Débarrassez les tous événements des débris et de la poussière. Gardez les outil propres, à sec et exempts d'huile ou de graisse. Le nettoyage doit se faire avec un linge humide et un savon doux. Certains nettoyants tels l'essence, la térébenthine, les diluants à laque ou à peinture, les solvants chlorés, l'ammoniaque et les détergents d'usage domestique qui en contiennent pourraient détériorer le plastique et l'isolation des pièces. Ne laissez jamais de solvants inflammables ou combustibles auprès des outils.

Réparations

Pour les réparations, retournez outil, batterie et chargeur en entier au centre-service autorisé le plus près.

ACCESSOIRES

AVERTISSEMENT L'utilisation d'autres accessoires que ceux qui sont spécifiquement recommandés pour cet outil peut comporter des risques.

Pour une liste complète des accessoires, visiter le site internet www.milwaukeetool.com ou contactez un distributeur.

SERVICE - CANADA

Milwaukee Tool (Canada) Ltd

1.877.948.2360

Monday-Friday, 7:00 AM - 4:30 PM CST

www.milwaukeetool.ca

GARANTIE LIMITÉE - AUX ÉTATS-UNIS ET AU CANADA

Tout produit d'équipement électrique pour extérieur de MILWAUKEE® (voir les exceptions ci-dessous) est garanti à l'acheteur d'origine par un distributeur agréé MILWAUKEE d'être exempté uniquement de vice de matériel et de fabrication. Sous réserve de certaines exceptions, MILWAUKEE réparera ou remplacera toute pièce d'un produit d'équipement électrique pour extérieur qui, après examen, sera confirmée par MILWAUKEE d'être affectée d'un vice de matériel ou de fabrication pour une période de trois (3) ans** après la date d'achat, sauf indication contraire. Retourner l'équipement électrique pour extérieur à un centre de service en usine MILWAUKEE ou un poste d'entretien agréé MILWAUKEE, en port prépayé et assuré. Une copie de la preuve d'achat doit être présentée lors du retour du produit. Cette garantie ne couvre pas les dommages que MILWAUKEE détermine d'être causés par des réparations ou des tentatives de réparation par quiconque d'autre que le personnel agréé par MILWAUKEE, des utilisations incorrectes, des altérations, des utilisations abusives, une usure normale, une carence d'entretien ou des accidents. Usure normale : Plusieurs produits électriques d'utilisation à l'extérieur doivent être soumis à la substitution périodique des leurs pièces ainsi que de l'entretien afin d'achever leur performance maximale. Cette garantie ne considère pas les réparations lorsque l'utilisation régulière a épuisé la vie d'une pièce, y compris, mais sans s'y limiter, les lames pour tondeuse, la tête de coupe, les lignes de coupe, les lames, les chaînes, les tubes de soufflante, les brosses, les joints toriques et les sceaux.

* Cette garantie ne considère ni les blocs-piles portatifs ni les produits reconditionnés. Il y a d'autres garanties différentes disponibles pour ces produits.

** La période de la garantie pour les assemblages de réservoir SWITCH TANK™, les tuyaux, les poignées et les lances est d'un (1) an à partir de la date d'achat.

MILWAUKEE n'assume aucuns frais de transport ou de fabrication concernant l'inspection et la vérification des produits électriques d'utilisation à l'extérieur qui, de l'avis de MILWAUKEE, ne donnent pas droit à une réclamation au titre de la garantie. Pour être admissible, une réclamation au titre de la garantie doit être justifiée par un vice de matériel ou de fabrication découvert par MILWAUKEE.

L'ACCEPTATION DES RECOURS EXCLUSIFS DE RÉPARATION ET DE REMPLACEMENT DÉCRITS PAR LA PRÉSENTE EST UNE CONDITION DU CONTRAT D'ACHAT DE TOUT PRODUIT MILWAUKEE. SI VOUS N'ACCEPTÉZ PAS CETTE CONDITION, VOUS NE DEVEZ PAS ACHETER LE PRODUIT. EN AUCUN CAS MILWAUKEE NE SAURAIT ÊTRE RESPONSABLE DE TOUT DOMMAGE ACCESSOIRE, SPECIAL OU INDIRECT, DE DOMMAGES-INTÉRÊTS PUNITIFS OU DE TOUTE DÉPENSE, D'HONORAIRES D'AVOCATS, DE FRAIS, DE PERTE OU DE DÉLAIS ACCESSOIRES À TOUT DOMMAGE, DÉFAILLANCE OU DÉFAUT DE TOUT PRODUIT, Y COMPRIS NOTAMMENT LES PERTES DE PROFIT. CERTAINS ÉTATS ET PROVINCES NE PERMETTANT L'EXCLUSION OU LA LIMITATION DES DOMMAGES DIRECTS OU INDIRECTS, LES RESTRICTIONS CI-DESSOUS PEUVENT NE PAS ÊTRE APPLICABLES. CETTE GARANTIE EST EXCLUSIVE ET REMPLACE TOUTE AUTRE GARANTIE EXPRESSE, QU'ELLE SOIT VERBALE OU ÉCRITE, DANS LA MESURE PERMISE PAR LA LOI. MILWAUKEE RENONCE À TOUTE GARANTIE IMPLICITE, Y COMPRIS, SANS S'Y LIMITER, TOUTE GARANTIE IMPLICITE DE COMMERCIALISABILITÉ OU D'ADAPTATION À UNE UTILISATION OU À UNE FIN PARTICULIÈRE. DANS LA MESURE OU UNE TELLE STIPULATION D'EXONÉRATION N'EST PAS PERMISE PAR LA LOI. LA DURÉE DE CES GARANTIES IMPLICITES EST LIMITÉE À LA PÉRIODE APPLICABLE DE LA GARANTIE EXPRESSE, TELLE QUE CELA EST DÉCRIT PRÉCÉDEMMENT. CERTAINES PROVINCES NE PERMETTANT PAS DE LIMITATION DE DURÉE DES GARANTIES IMPLICITES, LES RESTRICTIONS CI-DESSOUS PEUVENT NE PAS ÊTRE APPLICABLES. LA PRÉSENTE CONFÈRE À L'UTILISATEUR DES DROITS LÉGAUX PARTICULIERS : IL BÉNÉFICIE ÉGALEMENT D'AUTRES DROITS QUI VARIENT D'UNE PROVINCE À L'AUTRE. Cette garantie s'applique uniquement aux produits vendus aux États-Unis et au Canada.

Veuillez consulter l'onglet « Trouver un centre de service », dans la section « Pièces et service » du site web de MILWAUKEE, à l'adresse www.milwaukeeetool.com, ou composer le 1.800.SAWDUST (1.800.729.3878) afin de trouver le centre de service le plus proche pour l'entretien, sous garantie ou non, de votre outil électrique MILWAUKEE.

ADVERTENCIAS DE SEGURIDAD GENERALES PARA LA HERRAMIENTA ELÉCTRICA

ADVERTENCIA Lea todas las advertencias de seguridad, instrucciones, ilustraciones y especificaciones con esta herramienta eléctrica. Si no sigue todas las advertencias e instrucciones, se pueden provocar una descarga eléctrica, un incendio o lesiones graves. **Guarde todas las advertencias e instrucciones para consultarlas en el futuro.** El término "herramienta eléctrica" en todas las advertencias incluidas más abajo se refiere a su herramienta operada por conexión (cable) a la red eléctrica o por medio de una batería (inalámbrica).

SEGURIDAD EN EL ÁREA DE TRABAJO

- **Mantenga el área de trabajo limpia y bien iluminada.** Las áreas desordenadas u oscuras son propicias para los accidentes.
- **No utilice herramientas eléctricas en atmósferas explosivas, tales como en presencia de líquidos, gases o polvos inflamables.** Las herramientas eléctricas generan chispas que pueden encender el polvo o los vapores.
- **Mantenga a los niños y a los espectadores alejados mientras utiliza una herramienta eléctrica.** Las distracciones pueden ocasionar la pérdida de control.

SEGURIDAD ELÉCTRICA

- **Los enchufes de la herramienta eléctrica deben coincidir con el tomacorriente. Nunca modifique el enchufe de ninguna manera. No utilice adaptadores de enchufe con herramientas eléctricas aterrizadas.** Los enchufes y tomacorrientes correspondientes sin modificar reducirán el riesgo de descarga eléctrica.
- **Evite el contacto corporal con superficies aterrizadas, tales como tuberías, radiadores, estufas y refrigeradores.** Existe un riesgo mayor de descarga eléctrica si su cuerpo está aterrizado.
- **No exponga las herramientas eléctricas a la lluvia ni a condiciones húmedas.** Si se introduce agua en una herramienta eléctrica, aumentará el riesgo de descarga eléctrica.
- **No maltrate el cable. Nunca utilice el cable para cargar, jalar o desconectar la herramienta eléctrica.** Mantenga el cable alejado del calor, el aceite, los bordes afilados o las partes en movimiento. Los cables dañados o enredados aumentan el riesgo de descarga eléctrica.
- **Al utilizar una herramienta eléctrica en exteriores, utilice una extensión adecuada para uso en exteriores.** El uso de una extensión adecuada para el uso en exteriores disminuye el riesgo de descarga eléctrica.
- **Si es inevitable utilizar una herramienta eléctrica en un lugar húmedo, utilice un alimentador de corriente protegido con un interruptor de circuito por falla de conexión a tierra (GFCI).** El uso de un GFCI reduce el riesgo de descarga eléctrica.

SEGURIDAD PERSONAL

- **Manténgase alerta, atento a lo que está haciendo y utilice el sentido común al utilizar una herramienta eléctrica.** No utilice una herramienta eléctrica mientras está cansado o bajo la influencia de drogas, alcohol o medicamentos. Un momento de distracción al utilizar herramientas eléctricas puede ocasionar lesiones personales graves.
- **Utilice equipo de protección personal. Siempre use protección para los ojos.** El equipo de protección, tal como una máscara contra polvo, calzado antideslizante, casco o protección auditiva, utilizado para condiciones adecuadas disminuirá las lesiones personales.
- **Evite el arranque accidental. Asegúrese de que el interruptor esté en la posición de apagado antes de conectarlo a una fuente de poder y/o batería, levantar o trasladar la herramienta.** Trasladar herramientas con el dedo en el interruptor o energizar herramientas eléctricas que tienen el interruptor encendido propicia accidentes.
- **Retire cualquier llave de ajuste antes de entender la herramienta.** Una llave que se deje insertada en una parte giratoria de la herramienta eléctrica puede ocasionar lesiones personales.
- **No estire el cuerpo demasiado. Mantenga un buen contacto entre los pies y el suelo y mantenga el equilibrio en todo momento.** Esto permite un mejor control de la herramienta eléctrica en situaciones inesperadas.
- **Vístase adecuadamente. No utilice ropa o joyería holgada. Mantenga el cabello y la ropa alejados de las partes móviles.** La ropa holgada, las alhajas o el cabello largo pueden quedarse atrapados en las partes móviles.
- **Si se proporcionan dispositivos para la conexión de instalaciones de extracción y recolección de polvo, cerciódese de que estén conectados y se utilicen correctamente.** El uso de dispositivos recolectores de polvo puede disminuir los riesgos relacionados con el polvo.
- **No permita que la familiaridad por el uso frecuente de las herramientas lo hagan sentirse seguro e ignoren los principios de seguridad de las herramientas.** Un descuido puede provocar lesiones graves en una fracción de segundo.

USO Y CUIDADO DE LAS HERRAMIENTAS ELÉCTRICAS

- **No fuerce la herramienta eléctrica. Utilice la herramienta eléctrica correcta para su aplicación.** La herramienta eléctrica correcta realizará el trabajo mejor y con mayor seguridad a la velocidad para la que fue diseñada.
- **No utilice la herramienta eléctrica si el interruptor no la enciende y la apaga.** Cualquier herramienta eléctrica que no pueda controlarse con el interruptor es peligrosa y debe repararse.
- **Desconecte el enchufe de la fuente de energía y/o quite la batería de la herramienta eléctrica, si es posible, antes de realizar cualquier ajuste, cambiar accesorios o almacenar las herramientas eléctricas.** Tales medidas preventivas de seguridad disminuyen el riesgo de que la herramienta eléctrica se encienda accidentalmente.

- **Almacene las herramientas eléctricas que no se estén utilizando fuera del alcance de los niños y no permita que personas que no estén familiarizadas con la herramienta eléctrica o con estas instrucciones la utilicen.** Las herramientas eléctricas son peligrosas en manos de usuarios sin capacitación.
- **Dé mantenimiento a las herramientas eléctricas y accesorios. Verifique que no haya desalinación, amarre de partes móviles, partes rotas o alguna otra condición que pueda afectar el funcionamiento de la herramienta eléctrica. Si se daña, asegúrese de que la herramienta eléctrica sea reparada antes de que se utilice.** Muchos accidentes son ocasionados por herramientas eléctricas con mantenimiento deficiente.
- **Mantenga las herramientas de corte afiladas y limpias.** Las herramientas de corte correctamente mantenidas con bordes de corte afilados son menos propensas a atorarse y son más fáciles de controlar.
- **Utilice la herramienta eléctrica, los accesorios y las puntas, etc. de acuerdo con estas instrucciones, tomando en cuenta las condiciones de trabajo y el trabajo a realizar.** El uso de la herramienta eléctrica para operaciones diferentes a las previstas podría generar una situación peligrosa.
- **Mantenga las empuñaduras y ñas superficies de sujeción secas, limpias y libres de aceite y grasa.** Las empuñaduras y superficies de sujeción resbalosas no permiten el manejo y control seguros de la herramienta en situaciones inesperadas.

USO Y CUIDADO DE LAS HERRAMIENTAS CON BATERÍA

- **Recargue únicamente con el cargador especificado por el fabricante.** Un cargador que es adecuado para un tipo de batería puede crear un riesgo de incendio si se utiliza con otra batería.
- **Utilice las herramientas eléctricas únicamente con baterías específicamente diseñadas.** El uso de cualquier otra batería puede producir un riesgo de lesiones e incendio.
- **Cuando la batería no esté en uso, manténgala alejada de otros objetos metálicos como sujetapapeles, monedas, llaves, clavos, tornillos u otros objetos metálicos pequeños que puedan formar una conexión de una terminal a otra.** Crear un corto entre las terminales de la batería puede ocasionar quemaduras o un incendio.
- **Bajo condiciones de maltrato, el líquido puede ser expulsado de la batería, evite el contacto. En caso de contacto accidental, lave con agua. Si el líquido entra en contacto con los ojos, busque además ayuda médica.** El líquido expulsado de la batería puede causar irritación o quemaduras.
- **No use una batería o herramienta que se haya dañado o modificado.** Las baterías dañadas o modificadas pueden mostrar un comportamiento impredecible, causando incendios, explosión o riesgo de lesión.
- **No exponga una batería o herramienta al fuego o a temperatura excesiva.** La exposición a fuego o temperatura a más de 130°C (265°F) puede causar explosiones.
- **Siga todas las instrucciones de carga y no cargue la batería o la herramienta fuera del rango de temperatura especificado en las instrucciones.** La carga incorrecta o a temperaturas fuera del rango especificado puede dañar la batería y aumentar el riesgo de incendio.

MANTENIMIENTO

- Lleve su herramienta eléctrica a servicio con un técnico calificado que use únicamente piezas de reemplazo idénticas. Esto asegurará que la seguridad de la herramienta eléctrica se mantenga.
- Nunca dé servicio a baterías dañadas. Únicamente el fabricante o proveedores de servicio autorizados deben dar servicio a las baterías.

REGLAS ESPECÍFICAS DE SEGURIDAD PARA REDEFINIDORES DE LECHOS

- Antes de utilizar, lea este manual, y todos los manuales y etiquetas de esta herramienta y su cabezal eléctrico. No seguir las advertencias e instrucciones puede producir lesiones graves. Utilice la herramienta únicamente como se describe en este manual. Utilice accesorios únicamente recomendados por MILWAUKEE.
- Siempre utilice protección para los ojos, oídos, y ropa y calzado protector, de acuerdo con la operación que se realizará. Utilice pantalones largos y pesados, mangas largas, botas y guantes. Contenga el pelo largo. No utilice ropa o joyería holgada. No utilice pantalones cortos, sandalias ni opere descalzo.
- Mantenga a la gente alrededor a una distancia de por lo menos 15 m (50') durante el uso. Los objetos pueden salir volando o rebotar en todas direcciones.
- Esta herramienta es para usarse en superficies duras como aceras, accesos, lechos de flores, bordes y áreas similares. No utilice esta herramienta en o cerca de superficies con grava.
- Conozca su ambiente. Tenga precaución alrededor de aceras y terrenos irregulares, además de otras condiciones peligrosas. Siempre empuje la herramienta lentamente sobre el suelo áspero.
- Revise el área antes de utilizar la herramienta. Retire todos los desperdicios y objetos duros como rocas, vidrio, alambre, etc. que puedan volar, rebotar o causar lesiones o daños durante la operación.
- **ADVERTENCIA** No opere cerca de líneas eléctricas. La unidad no se ha diseñado para proteger del choque eléctrico en caso de contacto con las líneas eléctricas. Consulte las normas locales de distancias seguras de las líneas eléctricas y asegúrese de que la posición operativa esté segura y protegida antes de utilizarse.
- No utilice una extensión con este accesorio de la herramienta. La longitud adicional hará que sea muy difícil de controlar este accesorio y podría causar lesiones.
- No levante nada que se esté quemando o emitiendo humo, como cigarrillos, cerillos o cenizas calientes.
- Para reducir el riesgo de peligros para la salud por los vapores o el polvo, no utilice la herramienta cerca de materiales tóxicos, carcinogénicos u otros peligrosos como asbesto, arsénico, bario, berilio, plomo, pesticidas u otros materiales que pongan en peligro la salud.
- Tenga cuidado cuando la utilice alrededor de plantas decorativas y otros obstáculos. Los accesorios cortarán/dañarán muchos materiales.

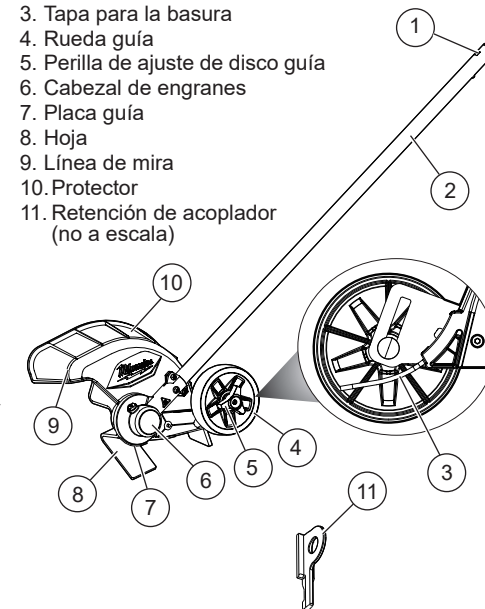
- No utilice ruedas cortadoras de matorrales, accesorios o aditamentos que no sean los que recomienda MILWAUKEE. Podría sufrir lesiones graves o se puede dañar el producto.
- No opere la herramienta sin el protector en su sitio. El protector debe estar sujetado correctamente durante el uso. Operar la herramienta sin el protector causará lesiones graves.
- No utilice la herramienta con el cabezal dañado. Las piezas cuarteadas o rotas pueden salir volando.
- No opere la herramienta sin el mango delantero en su sitio. El mango delantero debe estar sujetado correctamente durante el uso. Use ambas manos al operar la bordeadora, según las instrucciones del accesorio. Sostenga con firmeza. Usar una mano puede causar la pérdida de control y resultará en lesiones graves.
- Mantenga la cara, manos y pies alejados de las partes móviles todo el tiempo. Las partes móviles pueden causar graves laceraciones.
- Siempre mantenga la mano derecha en el mango trasero y la mano izquierda en el mango delantero cuando la hoja está girando.
- Prepárese en caso de movimiento inesperado cuando haya contacto con un objeto sólido. La pérdida de control puede resultar en lesiones graves.
- Los objetos lanzados pueden rebotar de superficies duras, tales como paredes, árboles, y rocas y causar daños. Si es posible, realice el bordeado a mano en áreas cerradas.
- Cargue la bordeadora por el mango delantero para evitar un encendido accidental. El manejo correcto de la bordeadora evitará lesiones.
- Siempre apague la herramienta entre cortes o al transportarla de una ubicación a otra. No cargue la herramienta con el dedo en el gatillo. El encendido accidental puede causar lesiones graves personales.
- Sostenga la herramienta sin moverla hasta que la hoja se detenga por completo. Una hoja en movimiento de frenado puede provocar lesiones.
- Mantenga alejadas todas las partes de su cuerpo y a la izquierda de la hoja. No se pare en línea recta o a la derecha de la hoja.
- Revise que la herramienta no tenga daños cuando haya contacto con un objeto sólido. Si se daña, asegúrese de que la herramienta sea reparada antes de utilizarse.
- Extraiga la batería y siga todas las instrucciones cuando retire obstrucciones o arregle atascos.
- No sumerja en agua o salpique con una manguera. No limpie con una limpiadora a presión. El agua que entre a la herramienta eléctrica aumentará el riesgo de choque eléctrico. Guarde la herramienta en el interior.
- No almacene la herramienta eléctrica en, o cerca de fertilizantes o químicos.
- Siempre apague la herramienta y luego retire la batería antes de cambiar o retirar los accesorios.
- La hoja puede estar filosa. Reemplace las hojas desgastadas. Siempre utilice guantes protectores cuando manipule la hoja.

ESPECIFICACIONES

Cat. No.....	49-16-2795
Para su uso con...M18 FUEL™ cabezales eléctrico QUIK-LOK™	
RPM.....	0 - 2 000
Eje de la hoja	25 mm (1")
Tamaño de la hoja	218 mm (8,5")
Hoja de reemplazo cat. no.....	42-26-0031

DESCRIPCIÓN FUNCIONAL

1. Retén
2. Tubo accesorio
3. Tapa para la basura
4. Rueda guía
5. Perilla de ajuste de disco guía
6. Cabezal de engranes
7. Placa guía
8. Hoja
9. Línea de mira
10. Protector
11. Retención de acoplador (no a escala)



- Sostenga la herramienta únicamente de las superficies de empuñadura aisladas, ya que la herramienta puede entrar en contacto con cableado oculto. Las hojas que entren en contacto con un cable que conduzca electricidad pueden hacer que las partes metálicas de la herramienta se electrifiquen y podrían ocasionar una descarga eléctrica al operador.
- Al usar este accesorio con baterías de mayor capacidad, use la correa de hombros para reducir la fatiga del usuario y ayudar a mantener el control de la herramienta durante el uso.
- No use varias correas de hombros al mismo tiempo. Cuando use una correa de hombros, asegúrese de que ningún otro elemento que lleve puesto interfiera con la liberación y el retiro de la correa.
- Válgase siempre de su sentido común y sea cuidadoso cuando utilice herramientas. No es posible anticipar todas las situaciones que podrían tener un desenlace peligroso. No utilice esta herramienta si no entiende estas instrucciones de uso o si considera que el trabajo a realizar supera sus capacidades, comuníquese con Milwaukee Tool o con un profesional capacitado para recibir capacitación o información adicional.
- Conserve las etiquetas y las placas nominales. Contienen información importante. Si son ilegibles o no están presentes, comuníquese con un centro de servicio MILWAUKEE para obtener un reemplazo gratuito.

ADVERTENCIA Algunos polvos generados por el lijado eléctrico, aserrado, pulido, taladrado y otras actividades de construcción contienen químicos identificados como causantes de cáncer, defectos congénitos u otros daños reproductivos. Algunos ejemplos de estos químicos son:

- plomo de pintura basada en plomo
- dióxido de silicio de los ladrillos y el cemento y otros productos de albañilería y
- arsénico y cromo de madera con tratamiento químico. Su riesgo por estas exposiciones varía, dependiendo de la frecuencia con que realice este tipo de trabajo. Para reducir su exposición a estos químicos: trabaje en un área bien ventilada y trabaje con equipo de seguridad aprobado, como mascarillas protectoras contra polvo especialmente diseñadas para filtrar partículas microscópicas.

LEA Y GUARDE TODAS LAS INSTRUCCIONES PARA USO FUTURO

SIMBOLOGÍA



Volts



Corriente continua

n_r XXXX min⁻¹ Revoluciones por minuto sin carga (RPM)



Símbolo de alerta de seguridad.



Lea el manual del operador.



Siempre utilice protectores de ojos y equipo protector personal correcto.



Utilice calzado antiderrapante de seguridad.



Utilice guantes protectores.



PELIGRO Mantenga las manos y las partes del cuerpo alejadas de la hoja.



Mantenga a la gente alrededor a una distancia de por lo menos 15 m (50') durante el uso.



PELIGRO Evite el contacto con la hoja durante el uso.



ATENCIÓN La superficie está caliente. Evite el contacto.



UL Listing Mark para Canadá y Estados Unidos

ENSAMBLAJE

ADVERTENCIA Antes de utilizar, lea el manual y las etiquetas del cabezal eléctrico. Se proveen instrucciones importantes de ensamblado y uso en el manual del cabezal eléctrico. Conecte el accesorio al cabezal eléctrico según el manual del cabezal eléctrico.

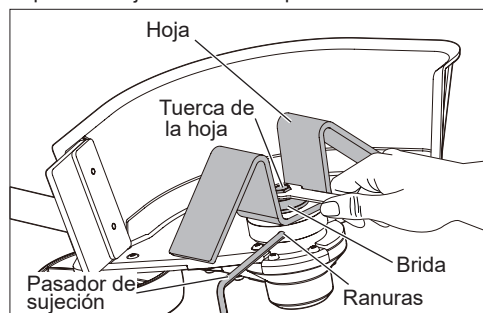
No opere la herramienta sin el protector en su sitio. El protector debe estar sujetado correctamente durante el uso. Operar la herramienta sin el protector causará lesiones graves.

Siempre retire la batería antes de cambiar o retirar los accesorios.

Reemplace las hojas desgastadas

Siempre revise las hojas antes de utilizarse y reemplácelas si están desgastadas o dañadas.

1. **ADVERTENCIA!** Retire la batería para evitar arrancar la herramienta.
2. Voltee de lado el cabezal de engranes y gire la hoja hasta que se alineen las ranuras. Deslice un perno de fijación de 5 mm por las ranuras.



3. Utilice una llave o zócalo de 13 mm para aflojar la tuerca de la hoja (hacia la derecha).
4. Retire la tuerca, brida y hoja de la hoja.
5. Limpie cualquier desperdicio de la brida, tuerca y husillo.
6. Coloque la nueva hoja acostada sobre el husillo.
7. Coloque la brida y la tuerca en el husillo. Apriete de forma segura con una llave o zócalo de 13 mm (hacia la izquierda).

NOTA: Siempre asegúrese de que la hoja no tenga daños, esté instalada correctamente y bien sujeta antes de cada uso.

Instalación de la llave de retención de acoplador al cabezal eléctrico

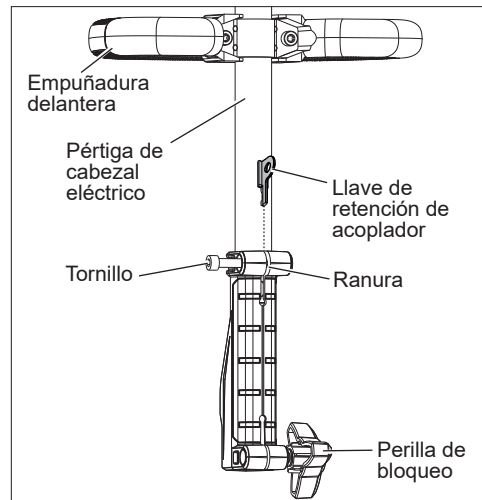
QUIK-LOK™

(Cat. No. 2825-20)

El redefinidor de lechos se envía con una llave de retención de acoplador. Esta llave debe instalarse en el 2825-20 sistema de accesorios M18 FUEL™ con cabezal eléctrico QUIK-LOK™ antes de que pueda usar el cabezal eléctrico con el redefinidor.

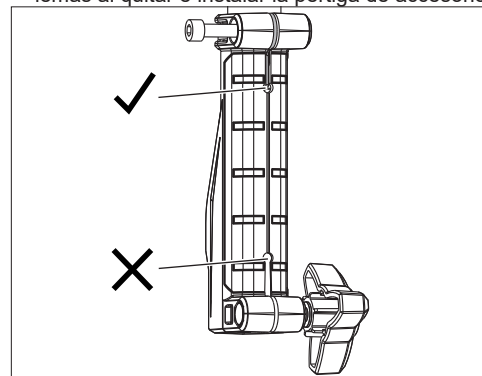
Para instalar la llave:

1. **ADVERTENCIA!** Retire la batería para evitar arrancar la herramienta.
2. Afloje el tornillo en la pértiga del cabezal eléctrico, tal como se muestra a continuación.



3. Ponga la llave de retención de acoplador dentro de la ranura.

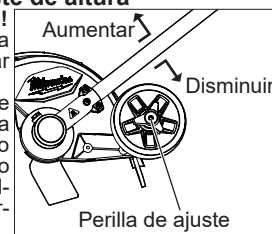
ADVERTENCIA! La llave debe ponerse dentro de la ranura en dirección de la empuñadura delantera. No ponga la llave en la ranura que está cerca de la perilla de bloqueo. Esto generará problemas al quitar e instalar la pértiga de accesorio.



4. Vuelva a apretar el tornillo en la pértiga de cabezal eléctrico.

Ajuste de altura

1. **ADVERTENCIA!** Retire la batería para evitar arrancar la herramienta.



2. Afloje la perilla de ajuste de disco guía y deslice el disco guía hacia abajo para aumentar la altura o bien, hacia arriba para reducirla.
3. Apriete la perilla de ajuste de disco guía con firmeza.

ADVERTENCIA No utilice varias correas de hombros al mismo tiempo. Cuando utilice una correa de hombros, asegúrese de que ningún otro elemento que lleve puesto interfiera con la liberación y el retiro de la correa.

Abrochar la correa de hombros

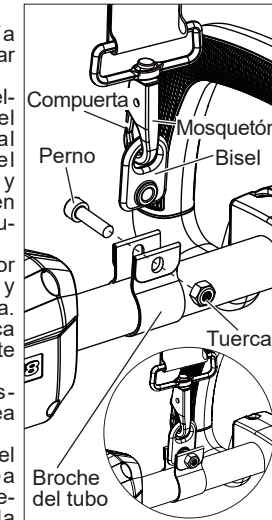
(Disponible como accesorio. Cat. No. 49-16-2722) Cuando utilice este accesorio con paquetes de baterías de mayor capacidad, utilice la correa para el hombro para reducir la fatiga del usuario y ayude a mantener el control de la herramienta durante el uso.

Para instalar la correa:

1. **ADVERTENCIA!**

Retire la batería para evitar arrancar la herramienta.

2. Ajuste el broche del tubo alrededor del tubo con cabezal eléctrico entre el mango delantero y el mango trasero en un lugar cómodo durante el uso.
3. Inserte el perno por el broche del tubo y el bisel de la correa. Enrosque la tuerca en el perno y apriete bien.



4. Abroche el mosquetón de la correa al bisel.
5. Ajuste el gancho del mástil según sea necesario para asegurarse de que la hoja esté a buen nivel de funcionamiento.

Para usar la correa:

1. Pase el brazo derecho y la cabeza por la correa.
2. Ajuste los broches de la correa para cambiar la longitud y que esté cómoda.
3. Deslice la almohadilla del cuello a la posición apropiada.

Para desabrochar la correa:

1. Sostenga la herramienta por el mango delantero con la mano izquierda.
2. Tome el mosquetón con la mano derecha y desabroche empujando la compuerta y deslizando el bisel hacia afuera.

OPERACIÓN

ADVERTENCIA Con el fin de minimizar el riesgo de lesiones, siempre utilice la protección de ojos adecuada indicada para cumplir con lo dispuesto en la norma ANSI Z87.1.

Siempre retire la batería antes de cambiar o retirar los accesorios o aditamentos.

No opere la herramienta sin el mango delantero en su sitio. El mango delantero debe estar sujeto correctamente para el uso. Usar una mano puede causar la pérdida de control y resultará en lesiones graves.

No opere la herramienta sin el protector en su sitio. El protector debe estar sujeto correctamente durante el uso. Operar la herramienta sin el protector causará lesiones graves.

Use ambas manos al operar la bordeadora. Sostenga con firmeza. Usar una mano puede causar la pérdida de control y resultará en lesiones graves.

Revise el área antes de utilizar. Retire todos los desperdicios y objetos duros como rocas, vidrio, alambre, etc. que puedan volar, rebotar o causar lesiones o daños durante la operación.

Mantenga alejadas todas las partes de su cuerpo y a la izquierda de la hoja. No se pare en línea recta o a la derecha de la hoja.

Selección de la velocidad

Utilice el botón de control de velocidad para seleccionar la velocidad. Diferentes cabezales eléctrico ofrecen diferentes opciones de selección de velocidad. Consulte el manual de su cabezal eléctrico para obtener más información.

Use velocidades más bajas para trabajos más grandes en los que se necesita una mayor duración de la batería. Use velocidades más altas para aplicaciones de crecimiento denso.

Uso del accesorio

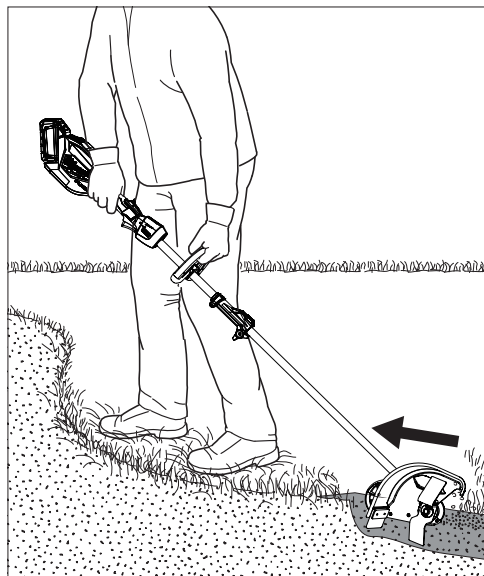
Use esta herramienta para volver a cortar los bordes de lechos de flores existentes para restituir sus contornos afilados.

1. Sostenga la herramienta con firmeza con la mano derecha en el mango trasero y la mano izquierda en el mango delantero. Siempre colóquese detrás del protector. Sostenga la herramienta en una posición cómoda con el mango trasero a la altura de la cadera.

2. Para **encender** la herramienta, apriete la palanca de seguridad y jale el gatillo.

3. Para **cambiar** la velocidad, aumente o disminuya la presión sobre el gatillo. Mientras más se jale el gatillo, mayor será la velocidad hasta el máximo establecido por el botón de control de velocidad.

4. Deslice la herramienta por la superficie, teniendo precaución de evitar el contacto con objetos sólidos.



5. Use la línea de mira para alinear la hoja con la superficie de redefinición.

6. Empuje la herramienta a un ritmo constante. Si la hoja empieza a atascarse, baje el ritmo del corte. No fuerce la hoja sobre el suelo.

NOTA: Evite bordear en suelo/pasto húmedo. El protección de la hoja puede taparse y provocar resultados inesperados. Si la protección de la hoja se tapa, detenga la herramienta, retire la batería y limpie la basura de la protección de la hoja.

MANTENIMIENTO

ADVERTENCIA Para reducir el riesgo de una lesión, desconecte siempre la herramienta antes de darle cualquier mantenimiento. Nunca desarme la batería, el cargador o la herramienta, salvo que así lo indiquen estas instrucciones. Comuníquese con un centro de servicio de MILWAUKEE para todas las demás reparaciones.

Mantenimiento de las herramientas

Adopte un programa regular de mantenimiento y mantenga su herramienta en buenas condiciones. Inspeccione la herramienta para problemas como ruidos indebidos, desalineadas o agarradas de partes móviles, piezas rotas o cualquier otra condición que pueda afectar el funcionamiento de la herramienta. Envíe su herramienta al Centro de Servicio MILWAUKEE para reparación. Después de 6 meses a un año, dependiendo del uso dado, envíe su herramienta al Centro de Servicio MILWAUKEE más cercano para la inspección. Si la herramienta no arranca u opera a toda su potencia con una batería completamente cargada, limpie, con una goma o borrador, los contactos de la batería y de la herramienta. Si aun así la herramienta no trabaja correctamente, regrésela, con el cargador y la batería, a un centro de servicio MILWAUKEE.

ADVERTENCIA Para reducir el riesgo de lesiones, descarga eléctrica o daño a la herramienta, nunca la sumerja en líquidos ni permita que estos fluyan dentro de la misma.

Limpieza

Limpie el polvo y suciedad de las cualquier ventilas. Mantenga los herramienta, limpios, secos y libres de aceite o grasa. Use solo jabón neutro y un trapo húmedo para limpiar, ya que algunos substancias y solventes limpiadores son dañinos a los plásticos y partes aislantes. Algunos de estos incluyen: gasolina, turpentina, thinner, lacas, thinner para pinturas, solventes para limpieza con cloro, amoníaco y detergentes caseros que tengan amonia. Nunca usa solventes inflamables o combustibles cerca de una herramienta.

Reparaciones

Si su herramienta, batería o cargador están dañados, envíela al centro de servicio autorizado más cercano.

ACCESORIOS

ADVERTENCIA Utilice sólo los accesorios específicamente recomendados. Otros accesorios puede ser peligroso.

Para una lista completa de accesorios, visite nuestro sitio en Internet: www.milwaukeetool.com o póngase en contacto con un distribuidor.

SOPORTE DE SERVICIO - MEXICO

CENTRO DE ATENCION A CLIENTES
Techronic Industries Mexico, S.A. de C.V.
Av. Presidente Masarik 29 Piso 7
11560 Polanco V Seccion
Miguel Hidalgo, Distrito Federal, México
01 (800) 030-7777 o (55) 4160-3540
Lunes a Viernes (9am a 6pm)

O contáctanos en www.milwaukeetool.com.mx

GARANTÍA LIMITADA - E.U.A. Y CANADA

Todo producto de equipamiento eléctrico para exteriores MILWAUKEE® (consulte las excepciones a continuación) está garantizado ante el comprador original por un distribuidor autorizado MILWAUKEE únicamente de que no tenga material y mano de obra defectuosos. Con algunas excepciones, MILWAUKEE reparará o cambiará cualquier pieza de un producto de equipamiento eléctrico para exteriores que tenga defectos de material o mano de obra, según lo determine MILWAUKEE mediante una revisión, por un periodo de (3) años** después de la fecha de compra, a menos que se indique lo contrario. Devuelva al equipamiento eléctrico para exteriores a un centro de servicio de fábrica MILWAUKEE o una estación de servicio autorizada participante MILWAUKEE, con flete pagado y asegurado. Se debe incluir una copia del comprobante de compra con el producto devuelto. Esta garantía no aplica a daños que MILWAUKEE determine que son ocasionados por reparaciones o intentos de reparaciones realizados por una persona que no sea personal autorizado de MILWAUKEE, uso indebido, alteraciones, maltrato, desgaste normal, falla de mantenimiento o accidentes.

Desgaste normal: Muchos productos de equipamiento eléctrico para exteriores necesitan cambios de piezas y mantenimiento periódicos para alcanzar su máximo rendimiento. La presente garantía no cubre las reparaciones cuando el uso normal del producto haya agotado la vida útil de una pieza, que podría incluir, entre otras, las hojas de podadora, el cabezal de corte, el carrete del cabezal de la desbrozadora, las líneas de corte, las hojas, las cadenas, los tubos del soplador, los cepillos, las juntas tóricas y los sellos.

La presente garantía no cubre ni la batería ni los productos reacondicionados. Están disponibles distintas garantías independientes para estos productos.

**La vigencia de la garantía de los ensambles de tanque SWITCH TANK™, mangueras, empuñaduras y extensiones es de un (1) año a partir de la fecha de compra.

MILWAUKEE no cubre los cargos por flete o mano de obra relacionados con la inspección y el análisis de los productos eléctricos para exteriores que MILWAUKEE haya descubierto que no conforman una reclamación de garantía válida. Una reclamación de garantía válida deberá estar fundamentada por el descubrimiento de material o fabricación defectuosos por parte de MILWAUKEE.

LA ACEPTACIÓN DE LOS RESARCIMIENTOS EXCLUSIVOS DE REPARACIÓN Y SUSTITUCIÓN AQUÍ DESCRITOS ES UNA CONDICIÓN DEL CONTRATO EN CUANTO A LA COMPRA DE TODO PRODUCTO DE MILWAUKEE. SI USTED NO ACEPTA ESTA CONDICIÓN, NO DEBE COMPRAR EL PRODUCTO. MILWAUKEE NO SERÁ RESPONSABLE EN NINGUN CASO DE DAÑOS INCIDENTALES, ESPECIALES, EMERGENTES O PUNITIVOS NI DE NINGUN COSTO, HONORARIOS DE ABOGADOS, GASTOS, PÉRDIDAS O DEMORAS QUE SUPUESTAMENTE SEAN CONSECUENCIA DE ALGUN DAÑO, FALLA O DEFECTO DE ALGUNO DE LOS PRODUCTOS, INCLUYENDO, ENTRE OTROS, RECLAMACIONES POR PÉRDIDA DE UTILIDADES, ALGUNOS ESTADOS NO PERMITEN LA EXCLUSIÓN O LIMITACIÓN DE RESPONSABILIDAD POR DAÑOS INCIDENTALES O EMERGENTES, POR LO QUE LA ANTERIOR LIMITACIÓN O EXCLUSIÓN PODRÍA NO APLICARSE EN SU CASO. ESTA GARANTÍA ES EXCLUSIVA Y SUSTITUYE TODAS LAS DEMÁS GARANTÍAS EXPRESAS, SEAN ESTAS ESCRITAS U ORALES, HASTA DONDE PERMITA LA LEY. MILWAUKEE DESCONOCE CUALQUIER GARANTÍA IMPLÍCITA, INCLUYENDO, SIN LIMITACIÓN, CUALQUIER GARANTÍA IMPLÍCITA DE COMERCIABILIDAD O IDONEIDAD PARA UN FIN O USO ESPECÍFICO; HASTA EN QUE DICHO DESCONOCIMIENTO NO SEA PERMITIDO POR LA LEY. DICHAS GARANTÍAS IMPLÍCITAS SE LIMITAN A LA DURACIÓN DE LA GARANTÍA EXPRESA CORRESPONDIENTE SEGÚN LO ARRIBA DESCRITO. ALGUNOS ESTADOS NO PERMITEN LIMITACIONES EN LA VIGENCIA DE UNA GARANTÍA IMPLÍCITA, POR LO QUE LA ANTERIOR LIMITACIÓN PUDIERA NO APLICAR A USTED. ESTA GARANTÍA LE CONFIERE DERECHOS JURÍDICOS ESPECÍFICOS Y USTED PODRÍA, ADEMÁS, TENER OTROS DERECHOS QUE VARIAN SEGÚN EL ESTADO.

Esta garantía aplica únicamente a los productos vendidos en EE. UU. y Canadá.

Consulte la pestaña "Búsqueda de centros de servicio" en la sección "Piezas y servicio" del sitio web de MILWAUKEE en www.milwaukeetool.com o llame al 1.800.SAWDUST (1.800.729.3878) para localizar su centro de servicio más cercano para darle servicio, con o sin garantía, a una herramienta eléctrica de MILWAUKEE.

PÓLIZA DE GARANTÍA - VALIDA SOLO PARA MÉXICO, AMÉRICA CENTRAL Y EL CARIBE

La garantía de TECHTRONIC INDUSTRIES es por 3 años a partir de la fecha original de compra.

Esta tarjeta de garantía cubre cualquier defecto de material y mano de obra en ese Producto.

Para hacer válida esta garantía, presente esta tarjeta de garantía, cerrada/sellada por el distribuidor o la tienda donde compró el producto, al Centro de Servicio Autorizado (ASC). O, si esta tarjeta no se ha cerrado/sellado, presente la prueba original de compra a ASC. Llame 55 4160-3547 para encontrar el ASC más cercano, para servicio, partes, accesorios o componentes.

Procedimiento para hacer válida esta garantía

Lleve el producto a ASC, junto con la tarjeta de garantía cerrada/sellada por el distribuidor o la tienda donde compró el producto, y cualquier pieza o componente defectuoso se reemplazará sin costo para usted. Cubriremos todos los costos de flete con relación a este proceso de garantía.

Excepciones

Esta garantía no tendrá validez en las siguientes situaciones:

- Cuando el producto se use de manera distinta a la que indica el manual del usuario final o de instrucciones.
- Cuando las condiciones de uso no sean normales.
- Cuando otras personas no autorizadas por TECHTRONIC INDUSTRIES modifiquen o reparen el producto.

Nota: si el juego de cables está dañado, tiene que reemplazarse en un Centro de Servicio Autorizado para evitar riesgos eléctricos.

CENTRO DE SERVICIO Y ATENCIÓN

Llame al 55 4160-3547

IMPORTADO Y COMERCIALIZADO POR

TECHTRONIC INDUSTRIES, MÉXICO, S.A. DE C.V.

Miguel de Cervantes Saavedra No.301 Piso 5, Torre Norte

11520 Colonia Ampliación Granada

Miguel Hidalgo, Ciudad de Mexico, Mexico

Modelo: _____

Fecha de Compra: _____

Sello del Distribuidor:

MILWAUKEE TOOL
13135 West Lisbon Road
Brookfield, WI 53005 USA

58140629d1
07/23

961014828-01(A)
Printed in