



Catalog Number
Notes
Type

Contractor Select™

# RB4A SWW5

RetroBasics™ 4" Adjustable Switchable White LED Trim Kit

RetroBasics 4" Adjustable LED trim kits provide the most economical solution for efficiently lighting a space using LED technology with virtually zero maintenance. This LED adjustable module is designed to work in 4" housings and can be used for accent lighting and wall washing in any room. Use as an option to replace legacy incandescent technology in an already installed housing or pair with the quick connect LED housings for a low-cost LED downlight solution. The LED trim maintains at least 70% light output for 50,000 hours.



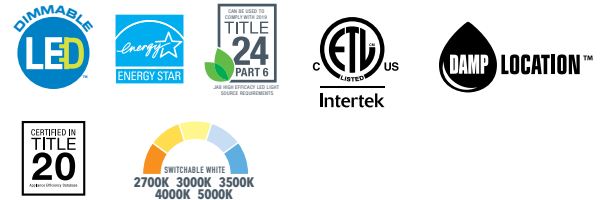
RB4A

**FEATURES:**

- Switchable white technology provides the flexibility to choose between 5 different LED color temperatures; 90 CRI. Switch is factory preset at 3000K CCT
- Dimmable flicker-free dimming from 100% to 10%
- Adjustable gimbal design provides 35° vertical aiming. Installs easily using friction springs to allow for aiming at any horizontal position in the housing.
- Robust die cast aluminum trim frame for years of trouble free operation
- Flood optic (91° beam) with regressed, diffused lens provides even light distribution for accent lighting
- Trim features quick connect plug for easy electrical connection in seconds
- Retention springs are pre-installed and designed to fit into most 4" compatible recessed housings

**APPLICATIONS:**

- Retrofit into existing recessed housings or use with quick connect housings for new construction or remodel applications
- Adjustable trim allows the user to aim the light which is perfect for accent lighting artwork, objects or other architectural details
- For use with housings installed in IC rated applications (direct contact with insulation)



Catalog Number	UPC	Description	Replaces Up To	Lumens	Input Watts	CCT	CRI	Voltage	Finish	Dimming Protocol	Pallet qty.
RB4A SWW5 MW M6	00196182971563	4" Adjustable Switchable White LED Trim Kit	65W Incandescent	700	8W	2700K-5000K	90	120V	White	100% to 10%	702



Pairs perfectly with Juno housings for a complete downlight solution: Order housings as separate catalog number.

**QC4 Series - New Construction Quick Connect LED Housing**



**QC4R Series - Remodel Quick Connect LED Housing**



**IC1FW LEDT24 - Firewall Fire Rated Quick Connect LED Housing**



**PERFORMANCE DATA**

<b>RB4A</b>	
Input Voltage	120V
Input Power Typical	8W (+/-5%)
Power Factor	.9
Frequency	60 Hz
EMI/RFI	FCC Title 47, Part 15 Class B (consumer)
Minimum Starting Temp	-20°C (-4°F) minimum

Note: Actual performance may differ as a result of end-user environment and application. All values are design or typical values, measured under laboratory conditions at 25° C

<b>LIGHTING PERFORMANCE DATA DONNÉES SUR LE RENDEMENT DE L'ÉCLAIRAGE</b>	
Light Appearance (CCT) Aspect de la lumière (CCT)	
<b>2700K</b> soft white   blanc doux	
700 lumens   88 lumens per watt	
<b>3000K</b> warm white   blanc chaud	
720 lumens   90 lumens per watt	
<b>3500K</b> neutral white   blanc neutre	
730 lumens   91 lumens per watt	
<b>4000K</b> cool white   blanc froid	
720 lumens   90 lumens per watt	
<b>5000K</b> daylight   blanc neutre	
700 lumens   88 lumens per watt	
Watts	<b>8</b>
Color Accuracy (CRI) Précision des couleurs (CRI)	<b>90</b>



## Specifications

### ADJUSTABLE LED TRIM KIT:

Cast aluminum trim flange in matte white with hybrid aluminum plastic housing • Up to 35° vertical adjustment • Friction springs allows for horizontal placement anywhere within the round housing • Pressed-in diffusing lens optimized for concealing the LEDs from direct view in the on and off state • All-in-one design where LED light engine mounts directly to the trim for ease of installation into existing 4" recessed housings with medium base sockets or quick connect LED housings • Provided with push-in friction springs

### LED LIGHT ENGINE:

LEDs are mounted directly to housing providing superior thermal management to ensure long life • Switchable white LED color temperature technology offers 2700K, 3000K, 3500K, 4000K, 5000K all in one trim • Switch factory set at 3000K • 90 CRI minimum • Accommodates 120 volts AC at 60Hz • Dimmable with most standard incandescent, magnetic low voltage and electronic low voltage dimmers • For a list of compatible dimmers, see [JUNORBSERIES-DIM](#)

### OPTICAL SYSTEM:

Regressed, diffused lens at end of mixing chamber to provide even light distribution for accent lighting • Nominal 700L is equivalent to 65W BR30 lamp

### ELECTRICAL CONNECTIONS:

Trim features quick connect plug installed as standard for installation into Juno quick connect housings with mating connector • Trim ships with a medium base socket adapter whip for installation into 4" incandescent housings with medium base sockets.

### LIFE:

Rated for 50,000 hours at 70% lumen maintenance.

### LABELS:

ETL certified to US and Canadian safety standards • ENERGY STAR® certified product • Suitable for damp location • NOM Certified • Can be used to comply with California Title 24 Part 6 High Efficacy LED Light Source Requirements • T20 Certified.

### TESTING:

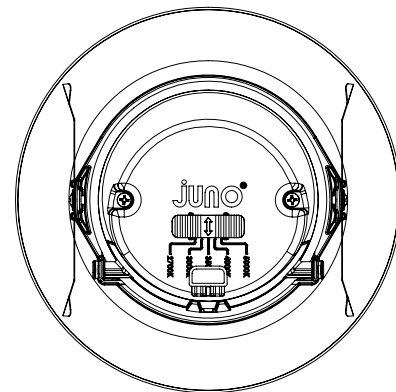
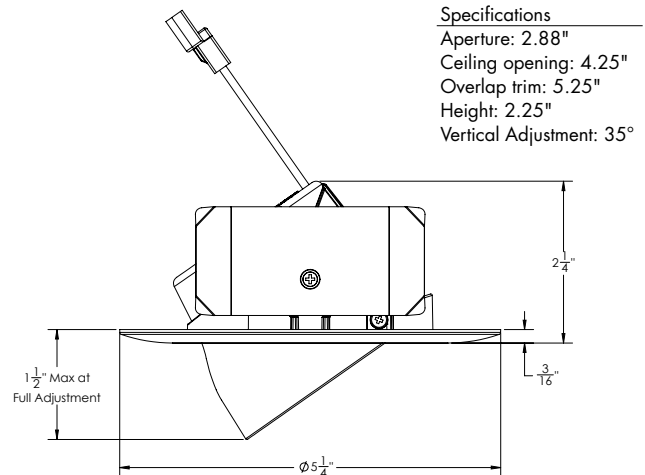
All reports are based on published industry procedures; field performance may differ from laboratory performance.

### WARRANTY:

5-year limited warranty. This is the only warranty provided and no other statements in this specification sheet create any warranty of any kind. All other express and implied warranties are disclaimed. Complete warranty terms located at: [www.acuitybrands.com/support/warranty/terms-and-conditions](http://www.acuitybrands.com/support/warranty/terms-and-conditions)

**Note:** Actual performance may differ as a result of end-user environment and application. All values are design or typical values, measured under laboratory conditions at 25 °C. Specifications subject to change without notice.

## Dimensions





PHOTOMETRICS

RB4A SWW5 MW M6 - 2700K Input Watts: 8.0, Delivered Lumens: 700, LPW: 87.5, S/MH: 1.12, Test No: 22-552-1P1

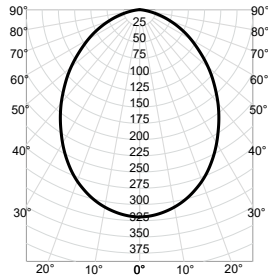


Table with 5 main sections: CP Summary, Zonal Lumen Summary, Coefficients of Utilization, Cone of Light, and Luminance. Includes columns for Zone, Lumens, % Fixture, pf, pc, pw, and various utilization percentages.

RB4A SWW5 MW M6 - 3000K Input Watts: 8.0, Delivered Lumens: 720, LPW: 90.0, S/MH: 1.12, Test No: 22-552-1P2

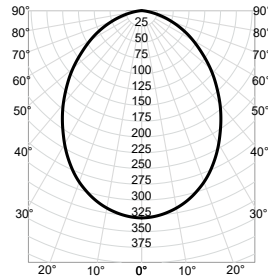


Table with 5 main sections: CP Summary, Zonal Lumen Summary, Coefficients of Utilization, Cone of Light, and Luminance. Includes columns for Zone, Lumens, % Fixture, pf, pc, pw, and various utilization percentages.

RB4A SWW5 MW M6 - 3500K Input Watts: 8.0, Delivered Lumens: 730, LPW: 91.3, S/MH: 1.12, Test No: 22-552-1P3

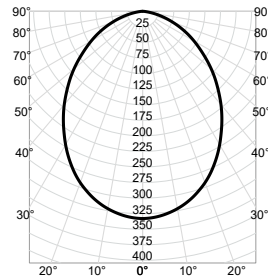


Table with 5 main sections: CP Summary, Zonal Lumen Summary, Coefficients of Utilization, Cone of Light, and Luminance. Includes columns for Zone, Lumens, % Fixture, pf, pc, pw, and various utilization percentages.

RB4A SWW5 MW M6 - 4000K Input Watts: 8.0, Delivered Lumens: 720, LPW: 90.0, S/MH: 1.12, Test No: 22-552-1P4

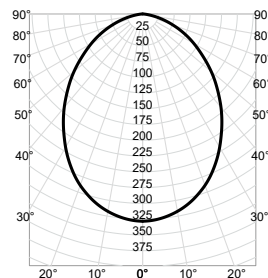
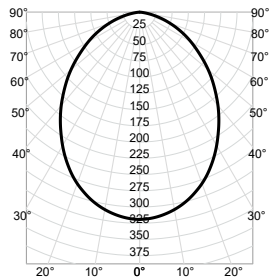


Table with 5 main sections: CP Summary, Zonal Lumen Summary, Coefficients of Utilization, Cone of Light, and Luminance. Includes columns for Zone, Lumens, % Fixture, pf, pc, pw, and various utilization percentages.



## PHOTOMETRICS

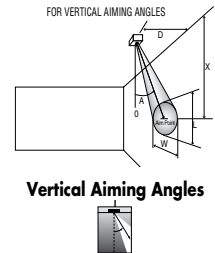
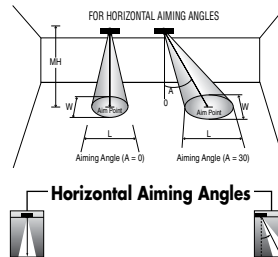
**RB4A SWW5 MW M6 - 5000K** Input Watts: 8.0, Delivered Lumens: 700, LPW: 87.5, S/MH: 1.12, Test No: 22-552-1P5



CP Summary	Zonal Lumen Summary				Coefficients of Utilization								Cone of Light			Luminance (cd/sq.m)		
	0°	Zone	Lumens	% Fixture	pf	20%				50%				Mounting Height	Initial FC Center Beam	Beam Diameter	Average Luminance	
					pc	80%	80%	10%	50%	30%	10%	50%	30%					10%
0°	319	0° - 30°	233	33%	0	119	119	119	116	116	111	111	111	6.0	8.9	12.2	0°	69,997
5°	316	0° - 40°	366	52%	1	106	102	98	103	100	97	99	96	8.0	5.0	16.3	45°	50,351
15°	297	0° - 60°	593	85%	2	93	87	82	91	86	81	88	83	10.0	3.2	20.4	55°	43,270
25°	261	0° - 90°	700	100%	3	83	75	69	81	74	69	78	72	12.0	2.2	24.5	65°	36,371
35°	213	90° - 180°	0	0%	4	74	66	60	73	65	59	70	64	14.0	1.6	28.6	75°	25,921
45°	162	0° - 180°	700	100%	5	67	58	52	66	58	52	63	56				85°	8,526
55°	113				6	60	52	46	59	51	46	58	51					
65°	70				7	55	47	41	54	46	41	53	46					
75°	31				8	50	42	37	50	42	37	49	41					
85°	3				9	47	39	33	46	38	33	45	38					
90°	0				10	43	35	30	43	35	30	42	35					

**CBCP** • Centerbeam candlepower  
**FC** • Footcandles at beam center (aim point)

In vertical aiming applications, aim point (X) is determined by dividing distance from the wall (D) by the tangent of the desired aim angle (A) (0.5774 for 30°, 1.0 for 45°).



FIXTURE	BEAM SPREAD°	CBCP	0°				30°			30°				
			MH	FC	L	W	FC	L	W	D	FC	X	L	W
<b>RB4A SWW5 MW M6 - 3000K</b>	91°	328	3	36	6.1	6.1	24	12.5	7.1	1	43	1.7	*	4.0
			4	21	8.2	8.2	13	16.6	9.4	2	10	3.5	*	8.2
			5	13	10.2	10.2	9	20.8	11.8	3	5	5.2	*	12.2
			6	9	12.2	12.2	6	24.9	14.1	4	3	6.9	*	16.3
			7	7	14.3	14.3	4	29.1	16.5	5	2	8.7	*	20.5

\*Covers full length of wall based on typical mounting heights of 8-12 feet.