



actuator with magnet latching 18 N, for RFID safety switches 3SE63 rectangular 91 mm x 25 mm with magnet latching

product brand name	SIRIUS
product designation	RFID safety switch
design of the product	RFID actuators
product type designation	3SE63

**General technical data**

product feature	With magnetic latching
protection class IP	IP65, IP67, IP69k
Substance Prohibitance (Date)	07/01/2006
height of the sensor	22 mm
length of the sensor	91 mm
width of the sensor	25 mm
material of the active sensor area	plastic

**Ambient conditions**

ambient temperature during operation	-25 ... +70 °C
--------------------------------------	----------------

**Enclosure**

material of the enclosure	plastic
material of cable sheath	PVC

**Installation/ mounting/ dimensions**

fastening method	screw fixing
transmission frequency rated value	125 kHz

**Certificates/ approvals**

General Product Approval	EMC	Functional Safety/Safety of Machinery	Declaration of Conformity
--------------------------	-----	---------------------------------------	---------------------------

[Confirmation](#)



[Type Examination Certificate](#)



Declaration of Conformity	other	Dangerous Good
---------------------------	-------	----------------



[Confirmation](#)

[Dangerous Goods Information](#)

[Transport Information](#)

**Further information**

Siemens has decided to exit the Russian market (see here).  
<https://press.siemens.com/global/en/pressrelease/siemens-wind-down-russian-business>

Siemens is working on the renewal of the current EAC certificates.

Please contact your local Siemens office on the status of validity of the EAC certification if you intend to import or offer to supply these products to an EAC relevant market (other than the sanctioned EAEU member states Russia or Belarus).

Information on the packaging

<https://support.industry.siemens.com/cs/ww/en/view/109813875>

Information- and Downloadcenter (Catalogs, Brochures,...)

<https://www.siemens.com/ic10>

Industry Mall (Online ordering system)

<https://mall.industry.siemens.com/mall/en/en/Catalog/product?mlfb=3SE6310-1BC01>

Cax online generator

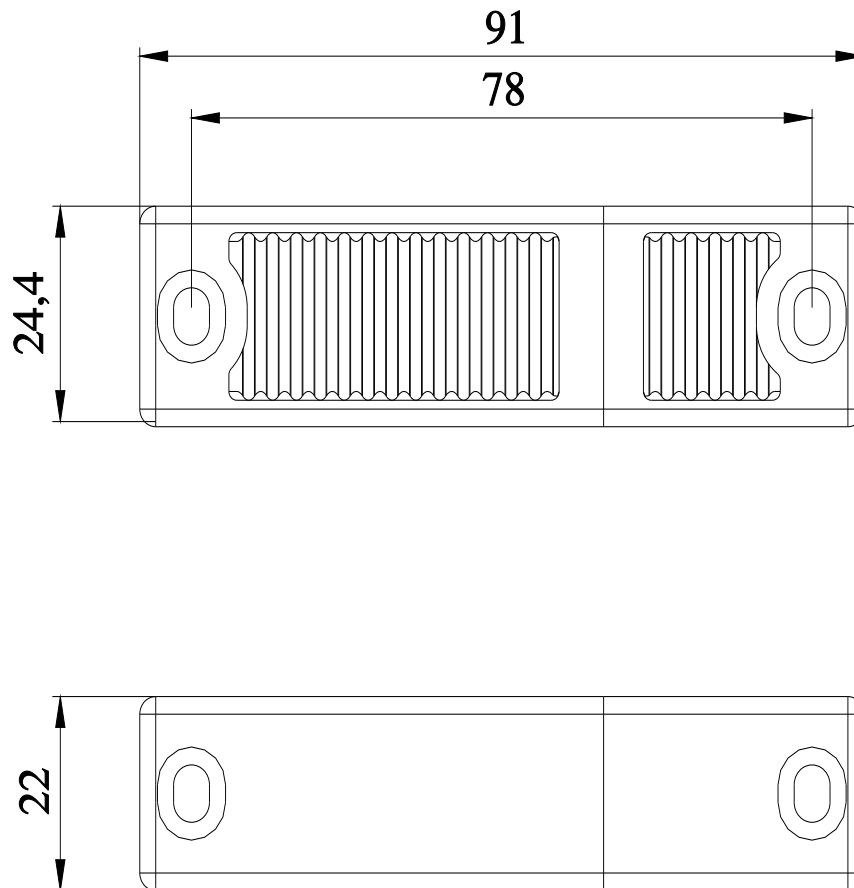
<http://support.automation.siemens.com/WW/CAXorder/default.aspx?lang=en&mlfb=3SE6310-1BC01>

Service&Support (Manuals, Certificates, Characteristics, FAQs,...)

<https://support.industry.siemens.com/cs/ww/en/ps/3SE6310-1BC01>

Image database (product images, 2D dimension drawings, 3D models, device circuit diagrams, EPLAN macros, ...)

[http://www.automation.siemens.com/bilddb/cax\\_de.aspx?mlfb=3SE6310-1BC01&lang=en](http://www.automation.siemens.com/bilddb/cax_de.aspx?mlfb=3SE6310-1BC01&lang=en)



last modified:

12/23/2020 