



AS-Interface mounting plate K45 for compact modules K45 for wall mounting for 2 flat cables AS-i cable (yellow) and AS-i cable 24 V (black)

General technical data			
Type of device		accessories digital I/O modules for operation in the field, IP67 - K45	
design of the product		K45 mounting plate for wall mounting	
Connections/ Terminals			
type of electrical connection		insulation piercing method for AS-Interface flat cable	
Mechanical data			
Type of mounting		for wall mounting	
Ambient conditions			
degree of protection		IP67 with screw-mounted K45 compact module	
Certificates/ approvals			
General Product Approval	EMC	Declaration of Conformity	Marine / Shipping

[Confirmation](#)



other

[Confirmation](#)

Further information

Siemens has decided to exit the Russian market (see here).

<https://press.siemens.com/global/en/pressrelease/siemens-wind-down-russian-business>

Siemens is working on the renewal of the current EAC certificates.

Please contact your local Siemens office on the status of validity of the EAC certification if you intend to import or offer to supply these products to an EAC relevant market (other than the sanctioned EAEU member states Russia or Belarus).

Information on the packaging

<https://support.industry.siemens.com/cs/ww/en/view/109813875>

Information- and Downloadcenter (Catalogs, Brochures,...)

<https://www.siemens.com/ic10>

Industry Mall (Online ordering system)

<https://mall.industry.siemens.com/mall/en/en/Catalog/product?mlfb=3RK1901-2EA00>

Cax online generator

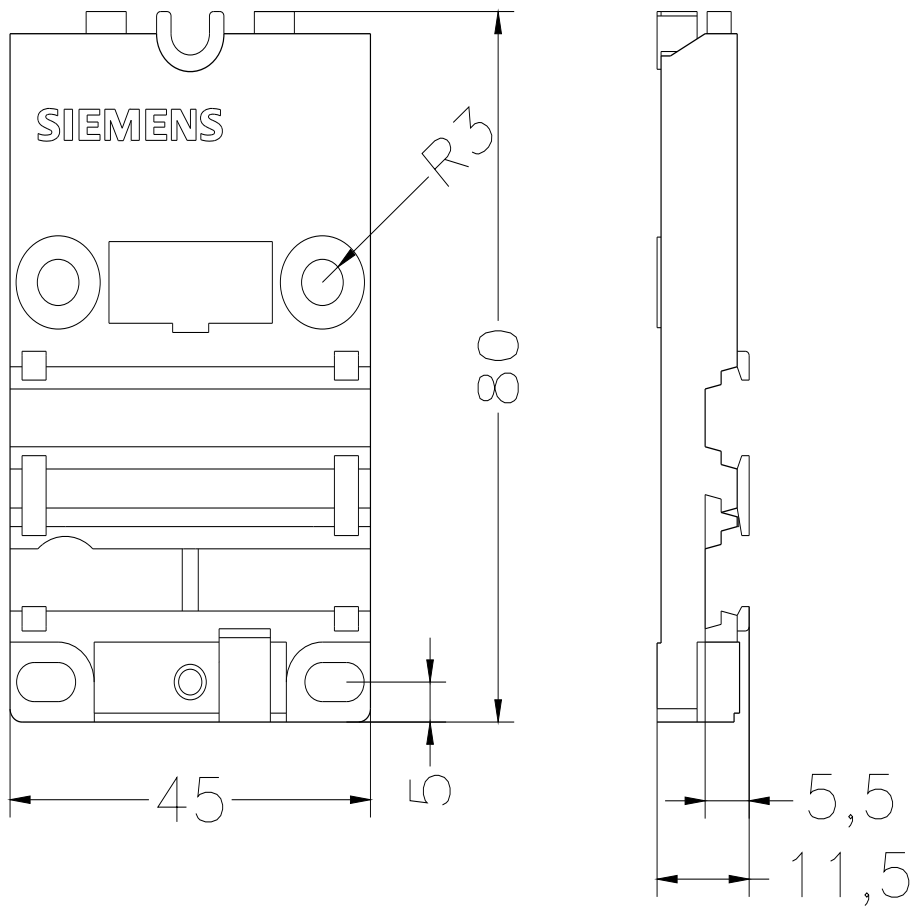
<http://support.automation.siemens.com/WW/CAXorder/default.aspx?lang=en&mlfb=3RK1901-2EA00>

Service&Support (Manuals, Certificates, Characteristics, FAQs,...)

<https://support.industry.siemens.com/cs/ww/en/ps/3RK1901-2EA00>

Image database (product images, 2D dimension drawings, 3D models, device circuit diagrams, EPLAN macros, ...)

http://www.automation.siemens.com/bilddb/cax_de.aspx?mlfb=3RK1901-2EA00&lang=en



last modified:

1/18/2021 