

Features and Benefits

- Replaces a standard wall switch (neutral required on select models)
- Soothing green LEDs
- Contemporary styling coordinates with Leviton's Decora® wiring devices
- Compatible with Decora Plus™ screwless wallplates

5-Button Decora Countdown Timer Switches

- Four preset buttons and OFF
- Simple press and hold override function
- Leaded terminals for easier installation
- Shallow design easily fits in the wallbox
- Controls LED, CFL, Incandescent, Halogen, Magnetic Low Voltage, Electronic Low Voltage, Fluorescent or Motor loads
- Zero Cross turn-on technology to extend the life of the switching relays
- Additional faceplate colors (DTKIT) available in white, ivory, light almond, gray, black and brown

DT1xx 15 Amp Models

- Available in six options: 15-, 30-, 60-minute and 2-, 4-, 12-hour
- Single pole only
- Flexible wiring can be connected to Neutral wire if present in the wallbox, or Earth ground if no Neutral wire is present
- Interchangeable line and load wires

DT2xx 20 Amp Models

- Available in five options: 30-, 60-minute and 2-, 4-, 12-hour
- Single pole or multi-way when used with a DD0SR Switch Companion, or can be used in 3-way with an additional DT2xx Timer
- Neutral wire required for installation
- Supports larger loads

Decora 24-Hour Programmable Timer Switch

- Timer settings at-a-glance with large, back-lit display
- Flexibility to program weekdays, weekends, or any combination of days
- Astronomical clock automatically adjusts to local sunrise/sunset times
- Automatic daylight saving time adjustment option
- Rechargeable battery keeps time during temporary power outages
- Controls LED, CFL, Incandescent, Halogen, Fluorescent or Motor loads
- Additional faceplate colors (VPTKT) available in gray and black
- VPT24-16Z has one-touch temporary and permanent override

Agency Standards and Compliance

- Complies with FCC Part 15, Class B
- cCSAus Certified (File # 3413, Class 4823-56 and 4823-86)
- VPT24-16Z can be used to comply with 2019 and 2022 California Title 24, Part 6, Residential Outdoor Control Device Requirements

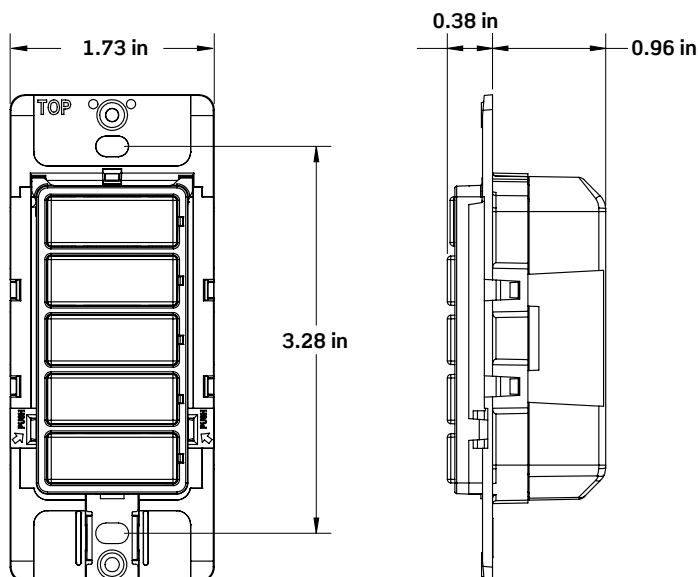
Warranty Information

Five-year limited warranty

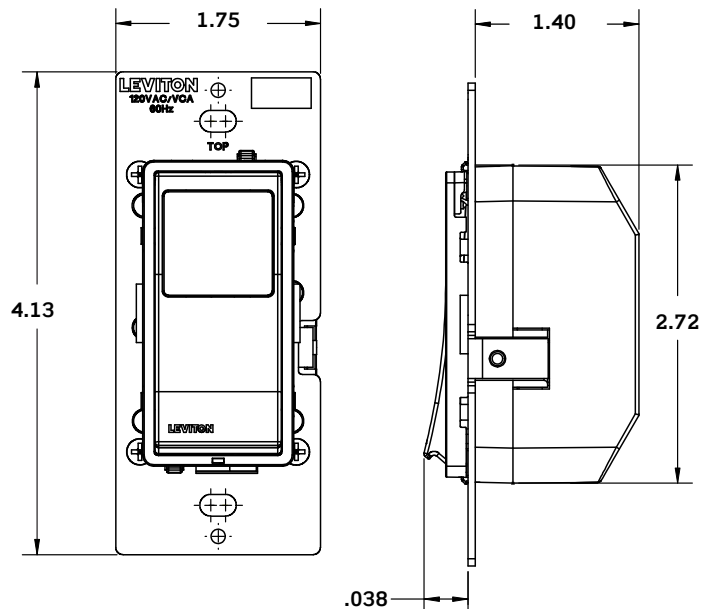
Installation Considerations

- DO NOT use to control lighting if it is the only light source in the area

Dimensional Drawings



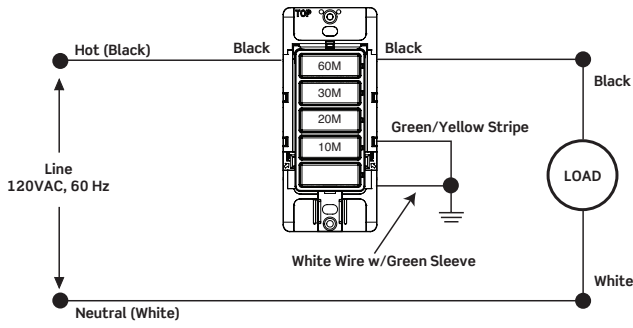
DT1xx, DT2xx



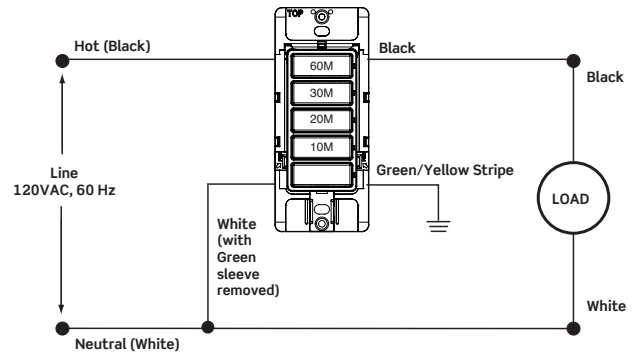
VPT24

Wiring Diagrams

Cat. Nos. DT1xx

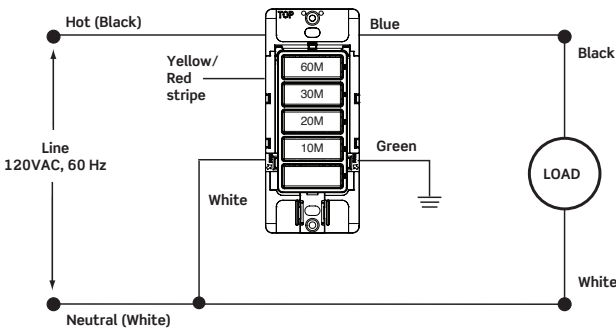


Single Pole, No Neutral Wire

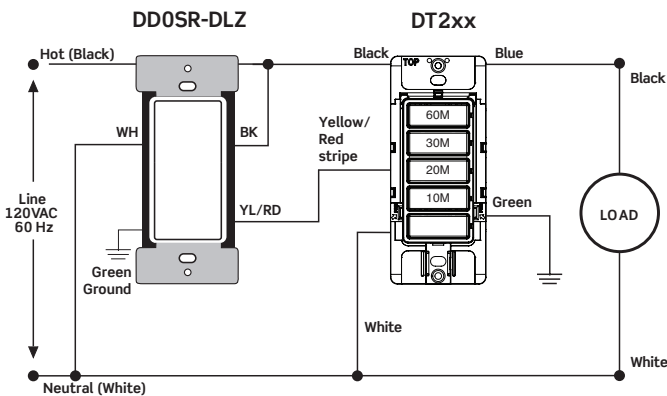


Single Pole, with Neutral Wire

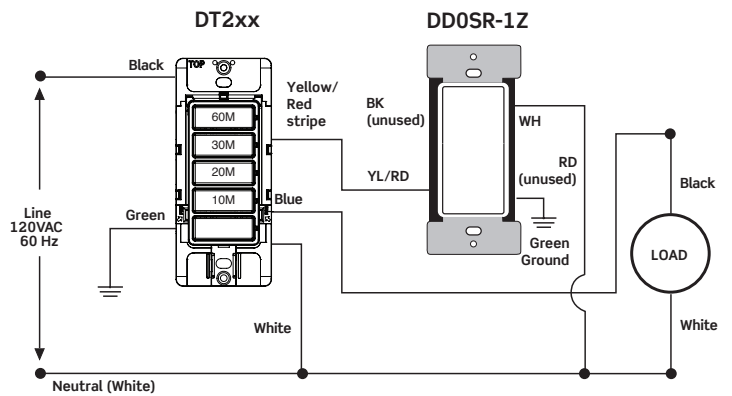
Cat. Nos. DT2xx



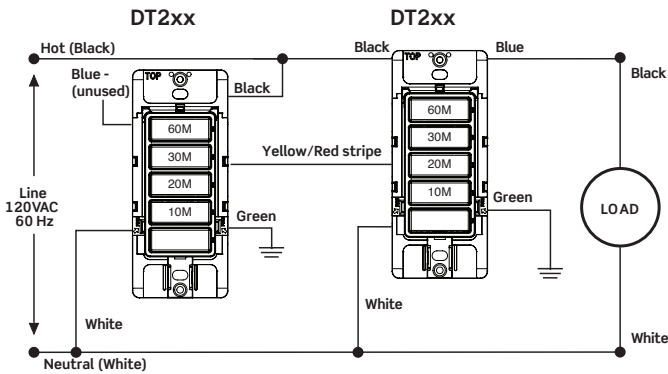
Single Pole, with Neutral Wire



3-Way with Switch Companion
(Up to Four DD0SR-DLZ can be used)



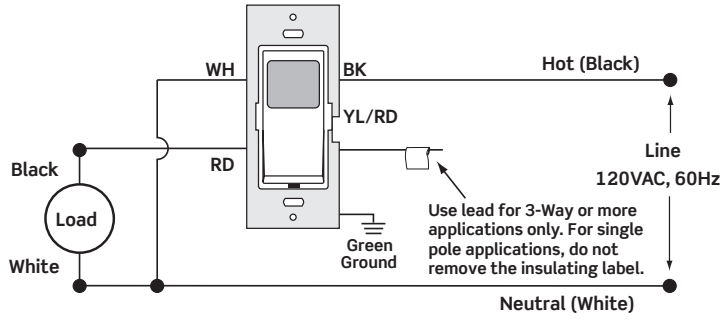
3-Way with Switch Companion, no LED
(Up to Nine DD0SR-1Z can be used)



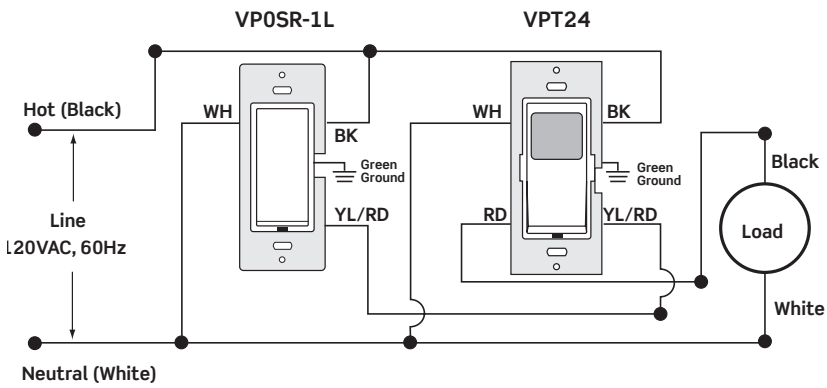
3-Way with Two DT2xx Timers

Wiring Diagrams

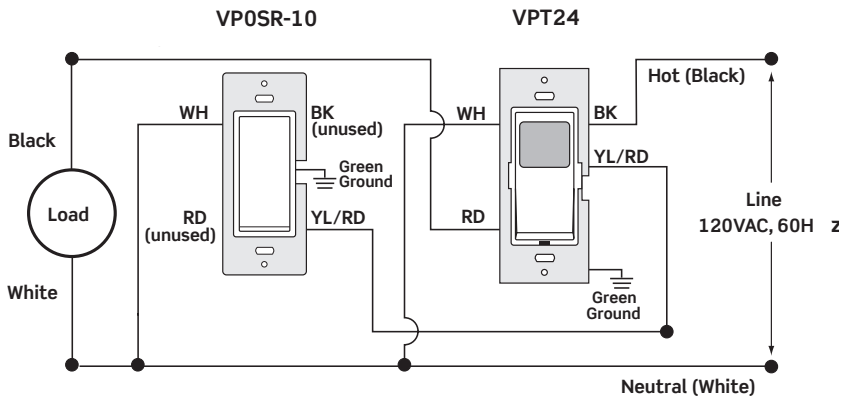
Cat. No. VPT24



Single Pole with Neutral Wire



3-Way with Switch Companion
(up to Four VPOSR-1L can be used)



3-Way with Switch Companion, no LED
(up to Nine VPOSR-10 can be used)