



# SmartMate

## SMARTMATE ELE BALLAST (2) 40W CFL (4-PIN) 120-277V

Offering maximum versatility, the Philips Advance family of SmartMate ballasts for 4-pin compact fluorescent lamps drive a broad range of quad and triple-tube, circline, 2D, and long twin-tube lamps. SmartMate ballasts' energy efficient design, compact and lightweight housing, and user-friendly features make these ballasts an ideal choice for fixture manufacturers, retrofitters, and MRO replacement.

### Product data

General Information	
Lamp Type	FT40W/2G11
Number of Lamps	1/2 piece/unit
Ballast Type	Electronic Fluorescent
Base Model	ICN2TTP40SC
Suitable For Outdoor Use	Yes
Automatic Restart	Yes
Operating and Electrical	
Input Voltage	120 to 277 V
Input Frequency	50 to 60 Hz
Total Harmonic Distortion USA	10 %
Ignition Method	Instant Start
Crestfactor (Nom)	1.7
Ignition Time (Nom)	0.1 s
Ballast Factor (Nom)	0.88
Power Factor (Nom)	0.98
Input Current (Max)	0.57 A
Input Current (Min)	0.25 A
Input Power (Nom)	68-67 W

Rated Lamp Power	40 W
Wiring	
Color Input Terminals	No terminals
Color Output Terminals	No terminals
Wire Striplength	0.50/0.375 mm
Lamp Connection	Parallel
Wire Length by Color	See data sheet
Wire Gauge (Nom)	18AWG mm
Wire Type	Solid
Remote Wiring Configuration Allowed	Yes
Tandem Wiring Configuration Allowed	Yes
Through Wiring Configuration Allowed	Yes
Max Ballast-Lamp Distance Remote Wiring	20'
Max Ballast-Lamp Distance Tandem Wiring	Any = 20'
Max Ballast-Lamp Distance Through Wiring	Any = 20'
Connector Type	No connector
Temperature	
T-Case Maximum (Nom)	70 °C

**Mechanical and Housing**

Housing Material	Metal
Housing	SC
Housing Dimensions	9.5" x 1.7" x 1.18"

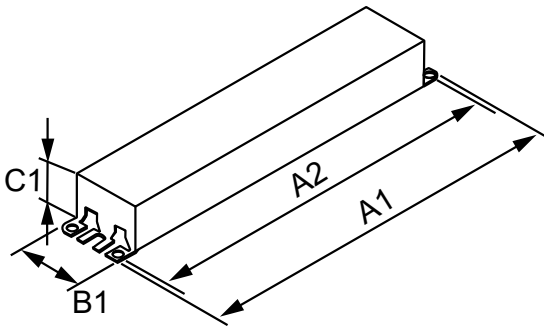
**Approval and Application**

EMC Immunity Standard	FCC Non-Consumer
Approval Marks	CSA certificate UL certificate CEC Listing RoHS Compliant
Hum And Noise Level	A
UL Recognized	No

**Product Data**

Order product name	SMARTMATE ELE BALLAST (2) 40W CFL (4-PIN) 120-277V
EAN/UPC - Product	781087065341
Order code	913710835502
Numerator - Quantity Per Pack	1
Numerator - Packs per outer box	20
Material Nr. (12NC)	913710835502
Net Weight (Piece)	0.577 kg

**Dimensional drawing**



ELE BALLAST (2) 40W CFL (4-PIN) 120-277V

Product	A1	A2	B1	C1
SMARTMATE ELE BALLAST (2) 40W CFL (4-PIN) 120-277V	9.5 in	8.90 in	1.7 in	1.18 in

