

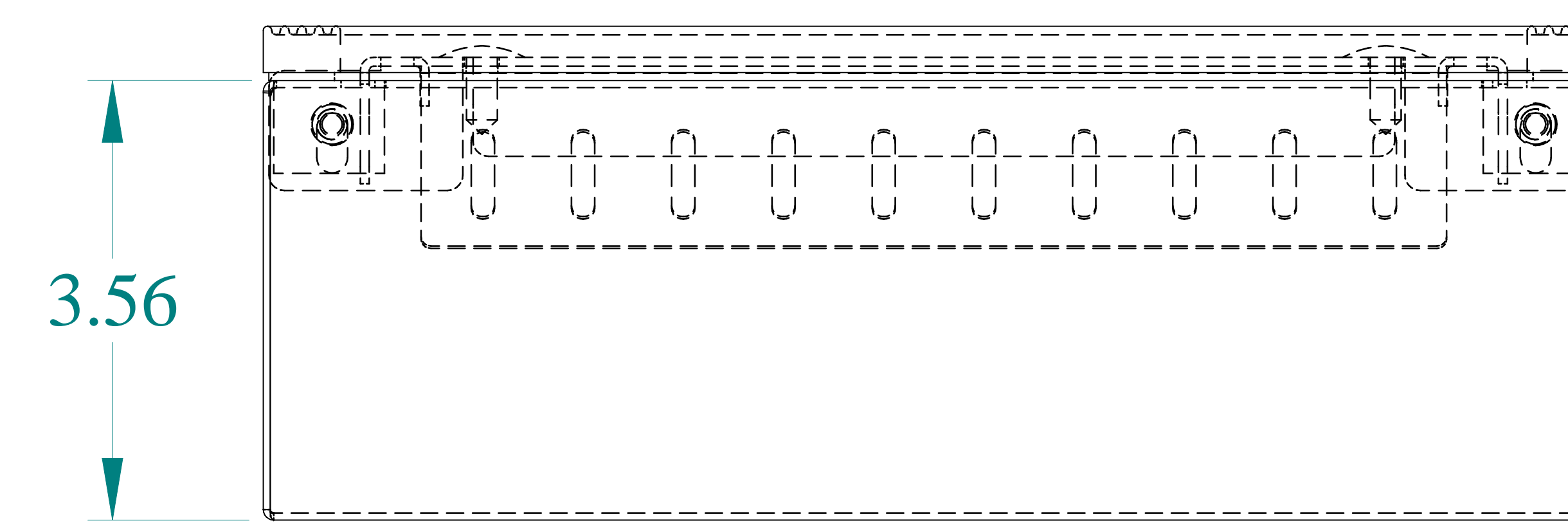
# PART No. RH30000N4SS

for more information visit

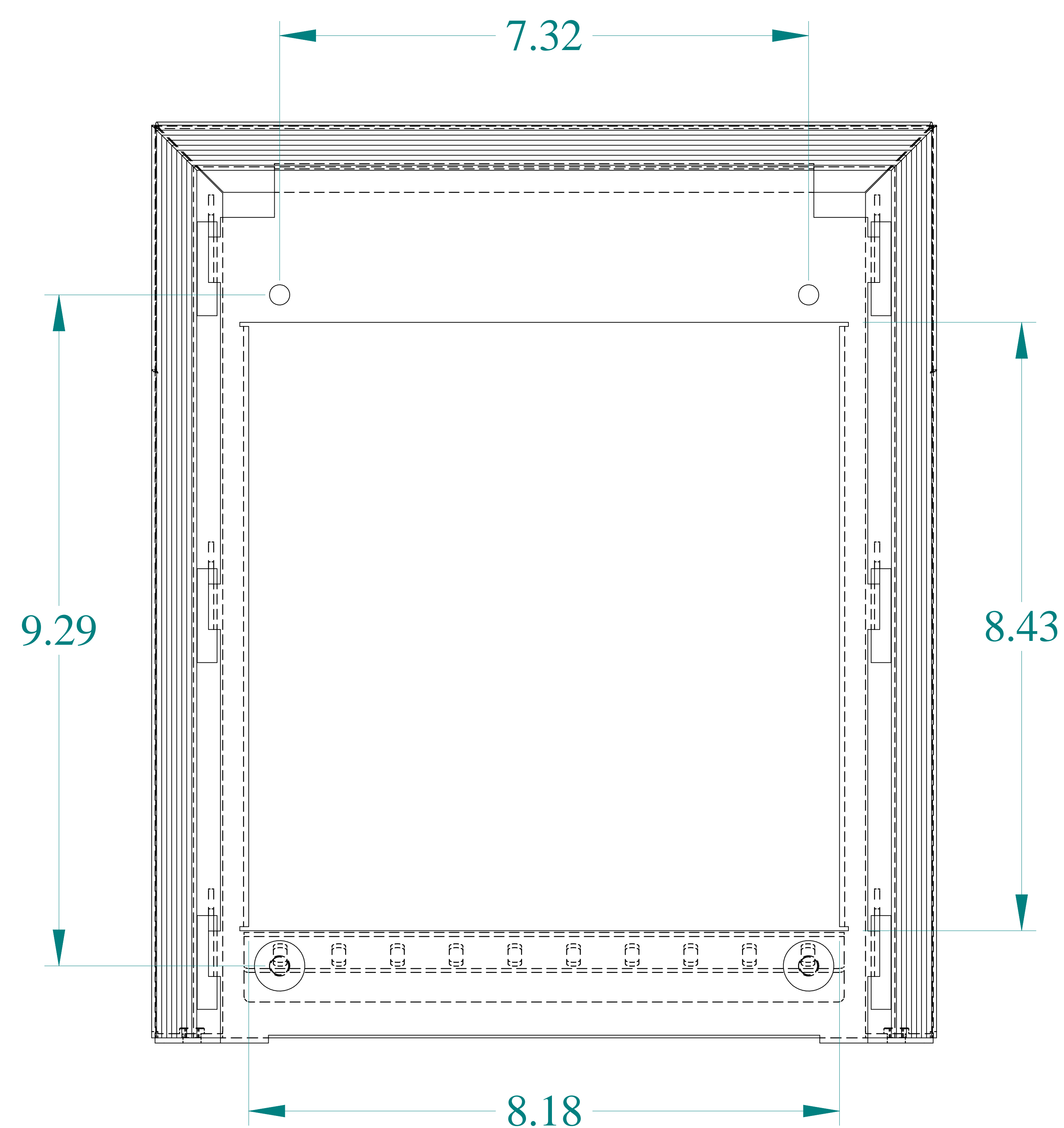
[www.hammondmfg.com](http://www.hammondmfg.com)

Data subject to change without notice

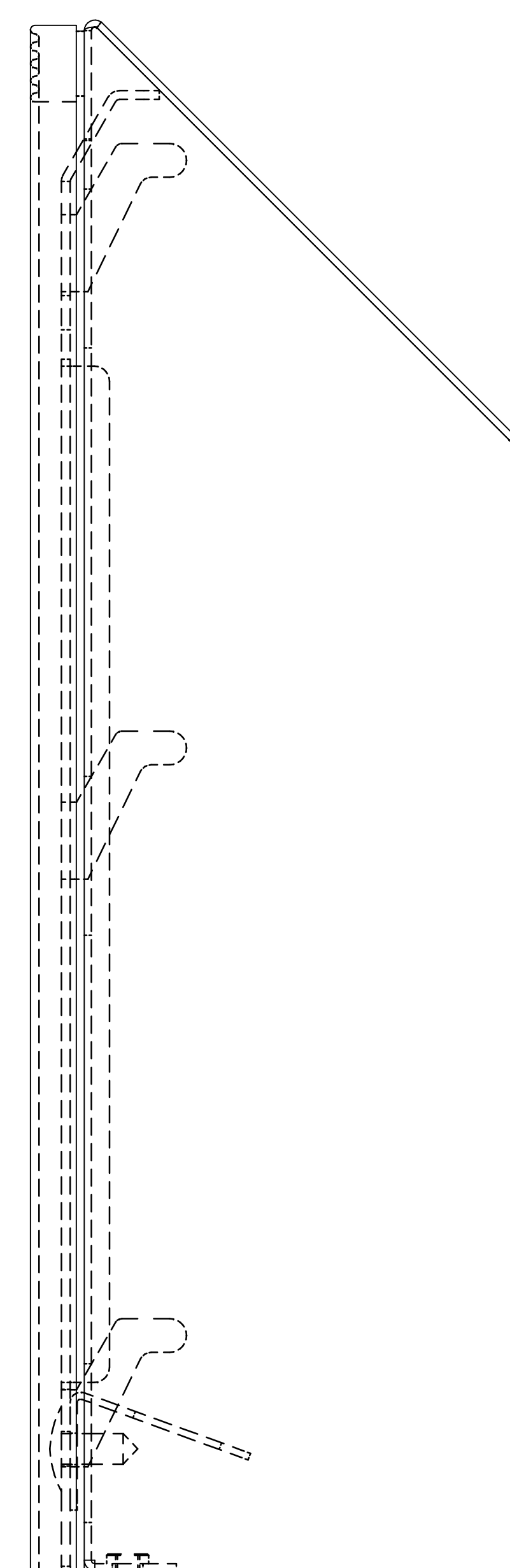
Isometric drawing Not to Scale



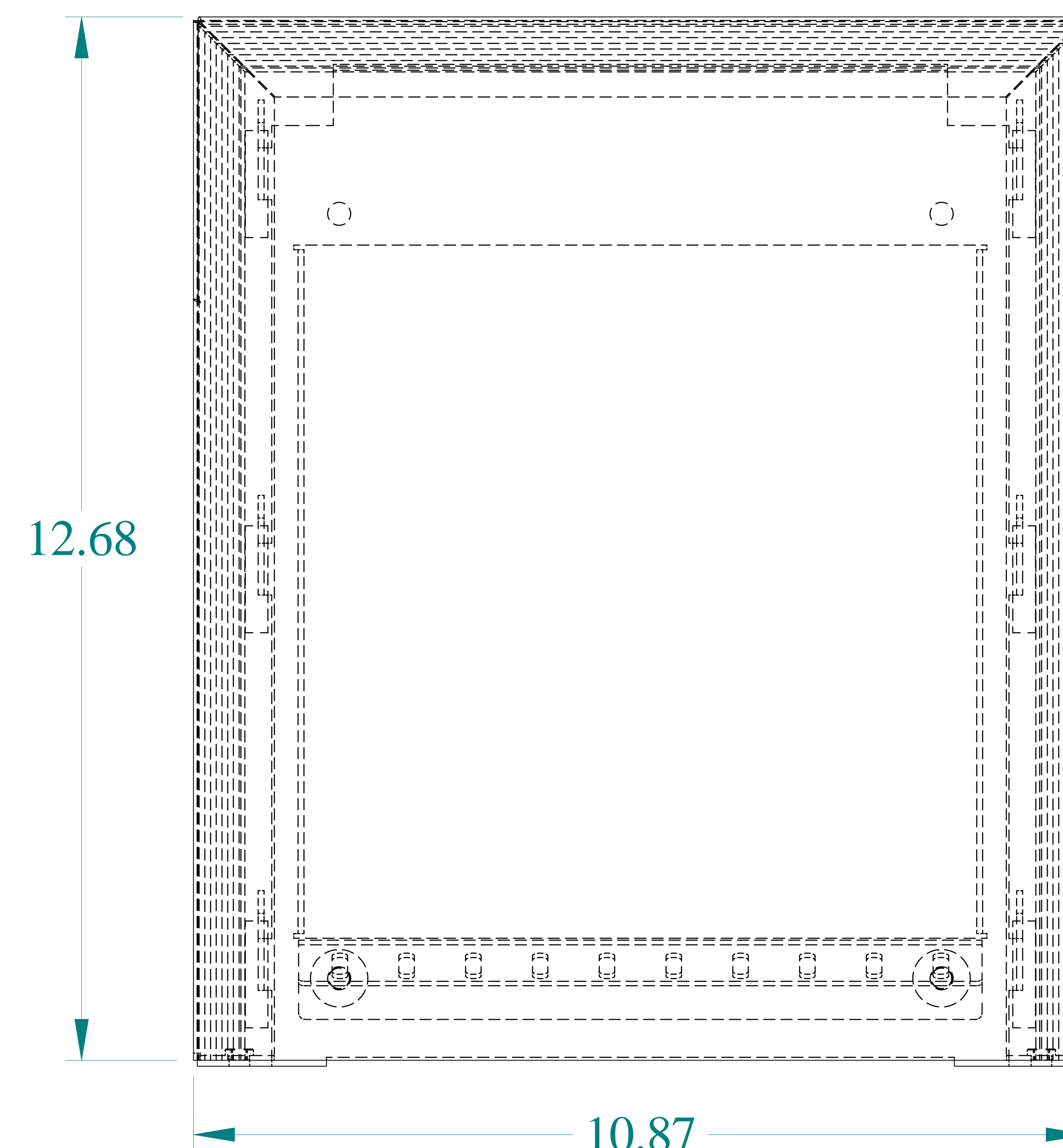
TOP VIEW



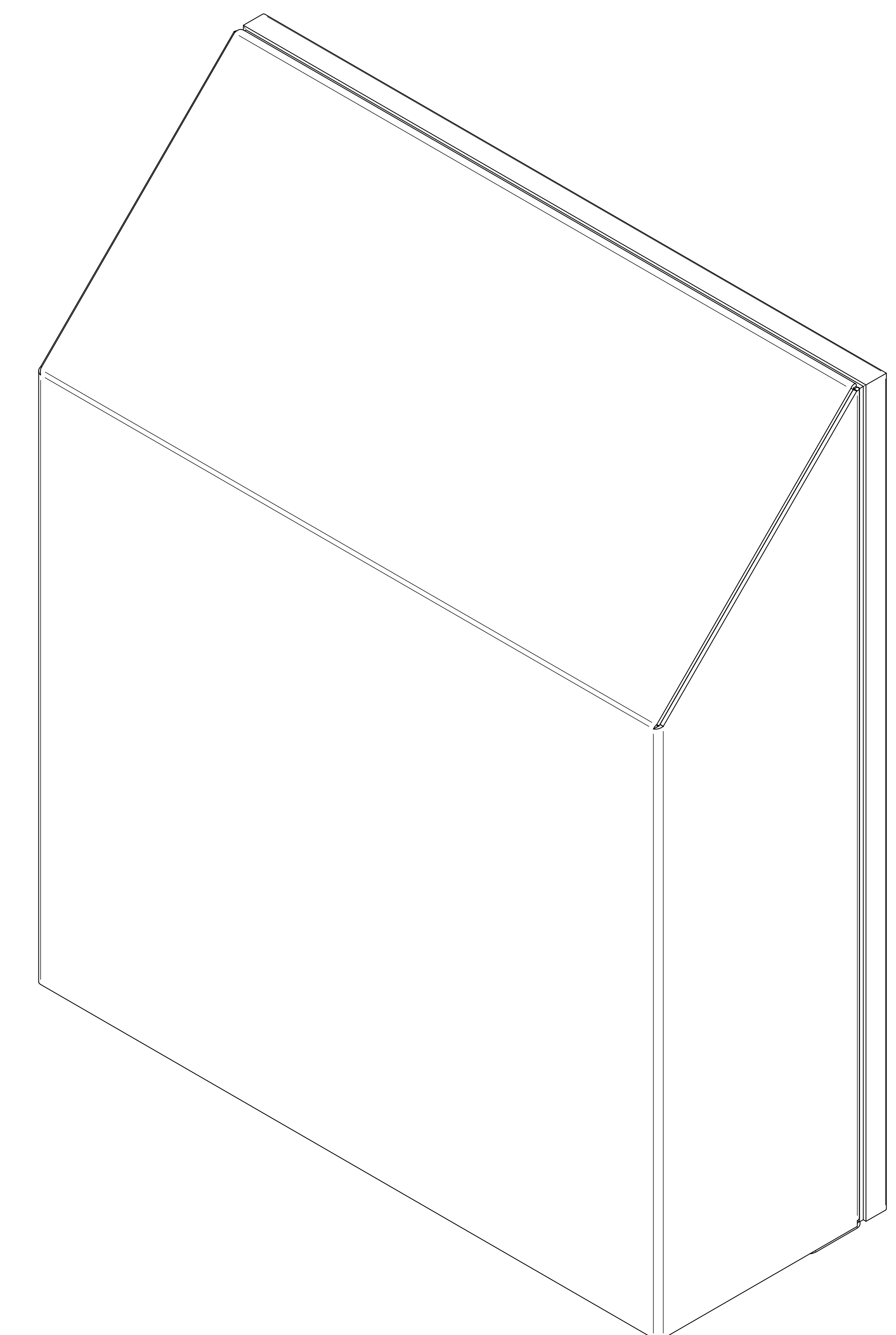
BACK VIEW



SIDE VIEW



FRONT VIEW



ISOMETRIC VIEW