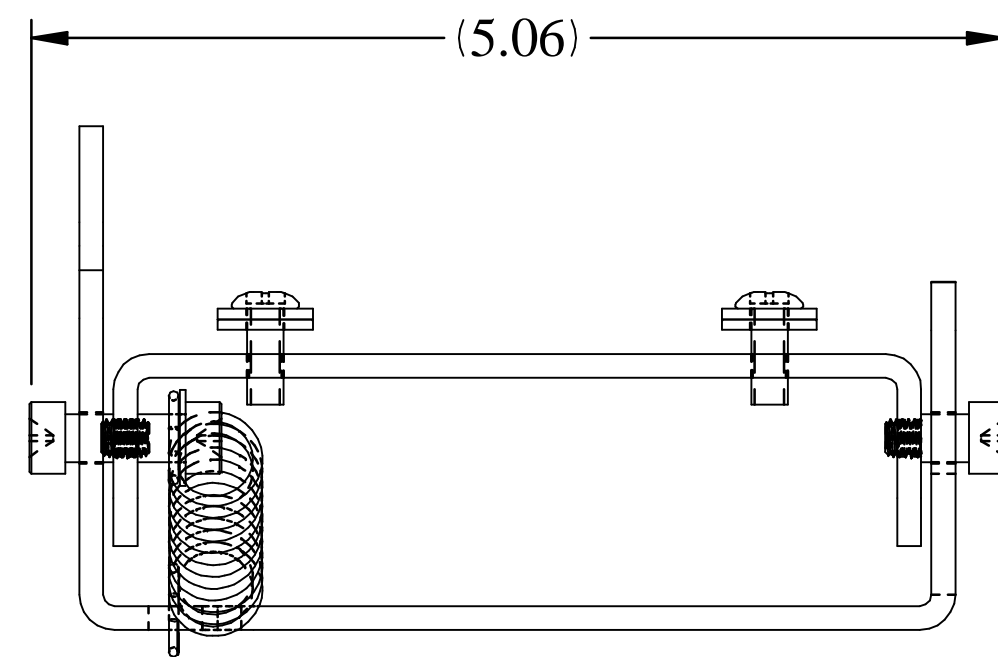


# PART No. MIKIT

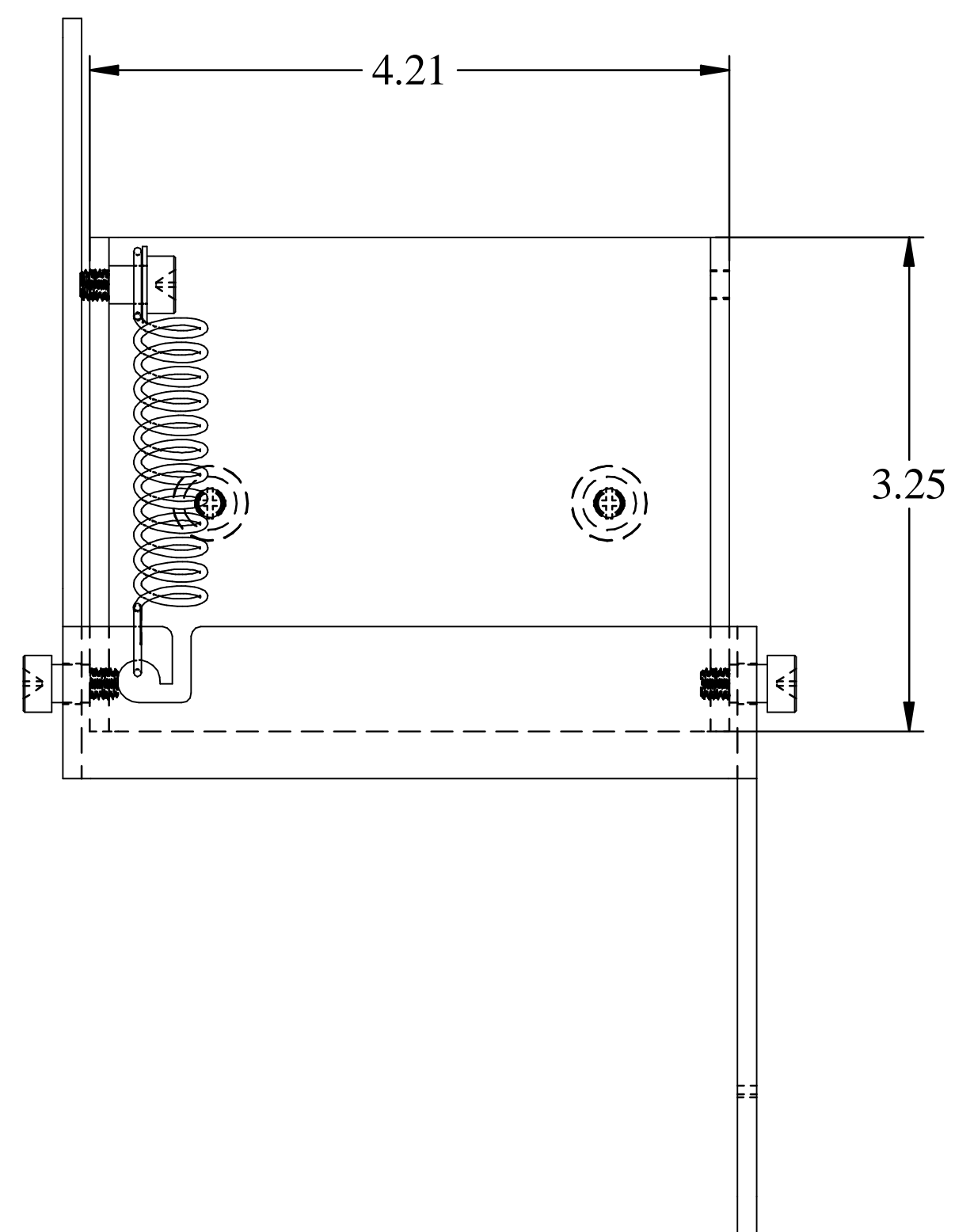
for more information visit  
[www.hammondmfg.com](http://www.hammondmfg.com)

Data subject to change without notice

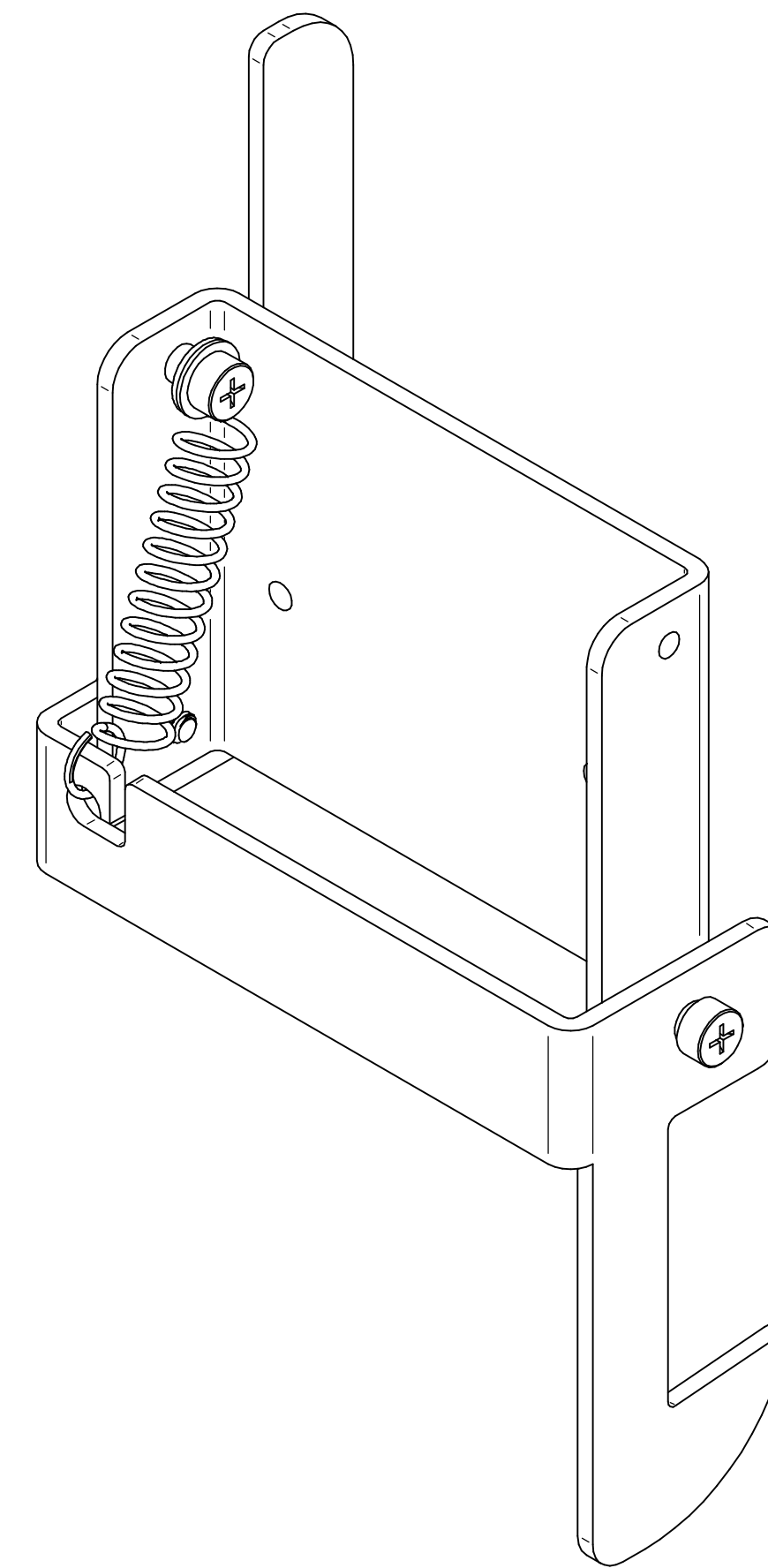
Isometric drawing Not to Scale



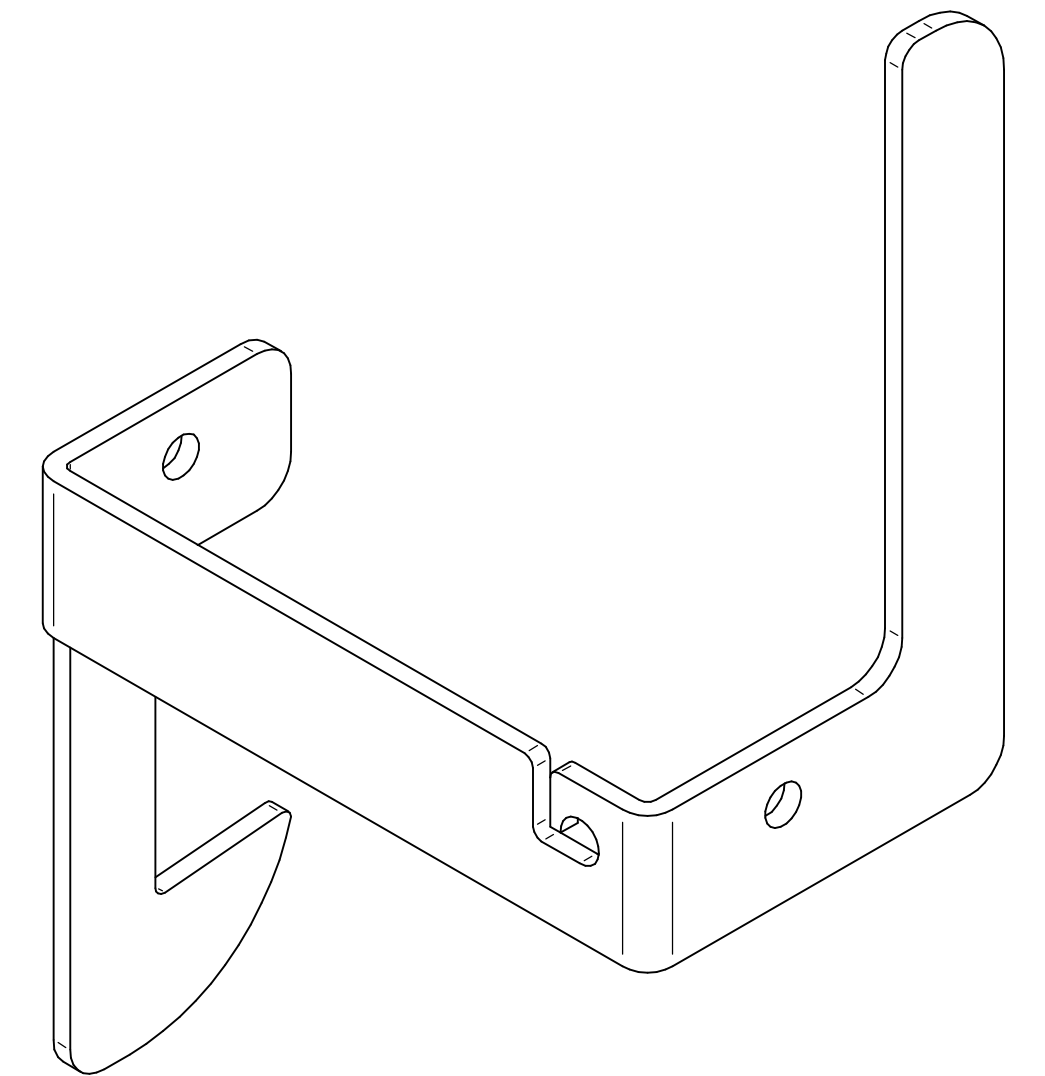
TOP VIEW



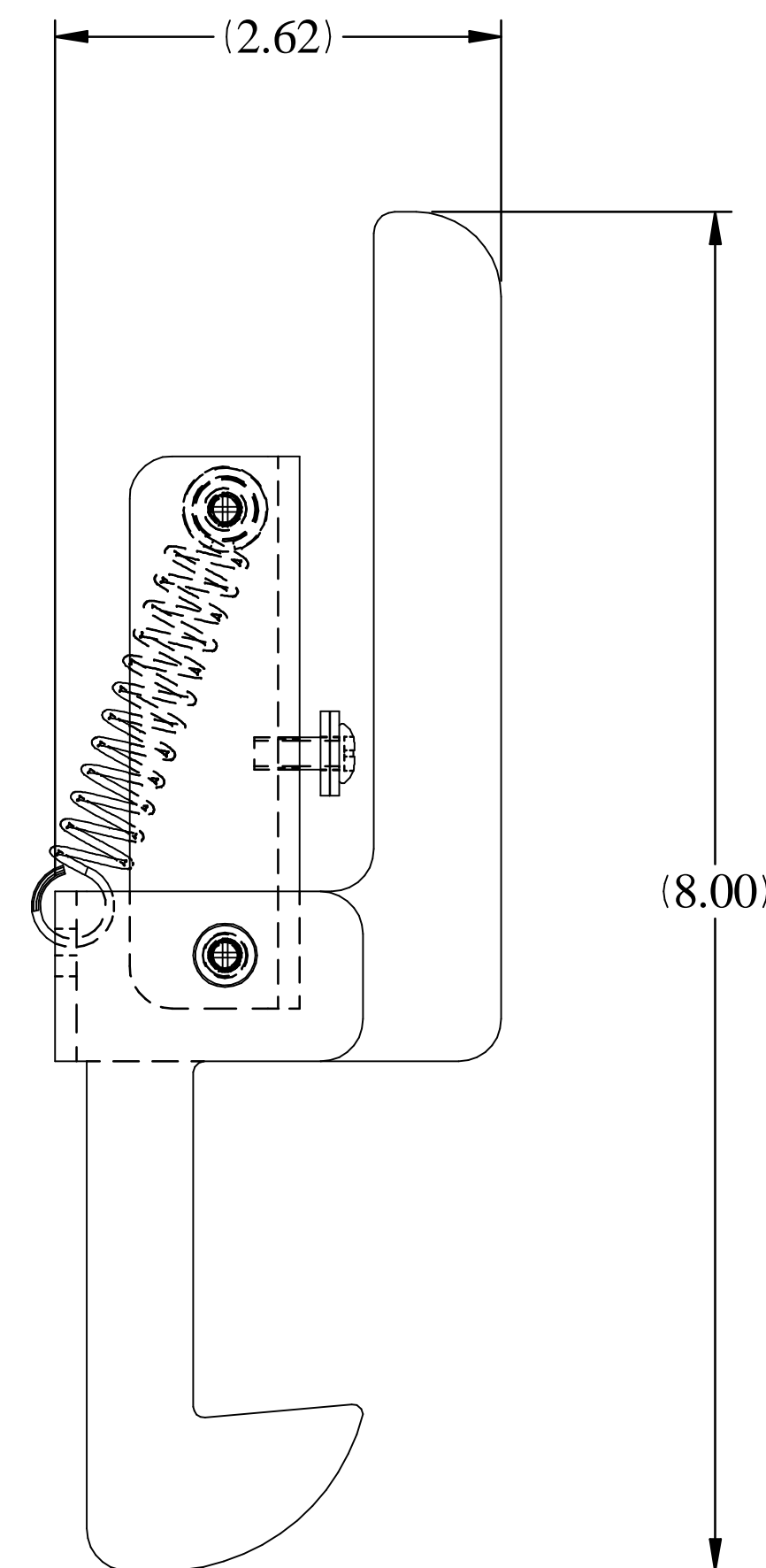
FRONT VIEW



ISOMETRIC VIEW  
(ASSEMBLED AS SLAVE LH)



ISOMETRIC VIEW  
(BRACKET FOR SLAVE RH)



SIDE VIEW