



Quality Products. Service Excellence.

Type 4X Stainless Steel Multi-Door Freestanding Disconnect Enclosure *UHD*

SS Series

Hinge Door with Handle (Flange w/ multi-vendor cutout)



Application

- Designed to accept the following disconnect switches and circuit breakers:
 - ABB Controls flange mounted variable depth operating mechanisms for disconnect switches and circuit breakers.
 - Allen Bradley 1494V and 1494U variable depth flange mounted disconnect switches and circuit breaker mechanisms. NOT COMPATIBLE WITH 1494V-R1, R2, W2 operating handles nor with Allen Bradley 1494F flange mounted disconnect switches and 1494D flange mounted operators for circuit breakers.
 - C-H Westinghouse type C361 disconnect switches and operator mechanism. Cutler Hammer Type C371 circuit breaker operating mechanisms. Flex-Shaft™ handle operators for circuit breakers.
 - General Electric type STDA flange handles and variable depth operating mechanisms for disconnect switches and circuit breakers. Also Spectra-Flex™ cable operators for circuit breakers.
 - Siemens I-T-E Max-Flex™ flange mounted variable depth operating handles for disconnect switches and circuit breakers.
 - Square D disconnect switches and circuit breakers used with Class 9422 flange mounted variable depth operating mechanisms or cable mechanisms. These enclosures will not receive Class 9422 bracket mounted disconnect devices or class 9422TG1 or TG2 devices. NOT COMPATIBLE WITH Class 9422 bracket mounted devices nor Class 9422TG1/TG2 devices.

Standards

- UL 508A Type 3R, 12, 4, 4X
- CSA Type 3R, 12, 4, 4X
- Complies with
 - NEMA Type 3R, 12, 13, 4, 4X
 - JIC EGP-1-1967 and EMP-1-1967
 - IEC 60529, IP66
- Appropriate components are required to maintain these standards.

Construction

- Formed from 12 gauge steel with smooth, continuously welded seams.
- Body stiffeners are provided in the larger enclosures for extra rigidity.
- Flange trough collar (FTC) around door opening excludes liquids and contaminants.
- Heavy duty lifting eyes are anchored into reinforced top corners.
- Removable doors are secured with heavy duty lift off hinges.
- Formed 10 gauge steel inner panels are provided on collar studs.
- Panel supports are provided.
- Center post is removable, providing easy panel installation.
- Heavy duty three point latching mechanism with heavy duty roller ends is provided for ease of door closing.
- Oil resistant gaskets are permanently secured.

- The right-hand door on all enclosures is the master door.
- Master door handle complete with screw defeater and padlock hasp.
- Slave door handle complete with padlock hasp.
- A mechanical interlock activated by the master door prevents the auxiliary door from being opened first.
- The flange cutout provides mounting for disconnect operators (verify compatibility in advance).
- A provision for mounting fluorescent lighting is provided.
- A bonding stud is provided in the door and a grounding stud is provided in the enclosure for each door.
- A literature pocket is provided for the inside of the door.

Note

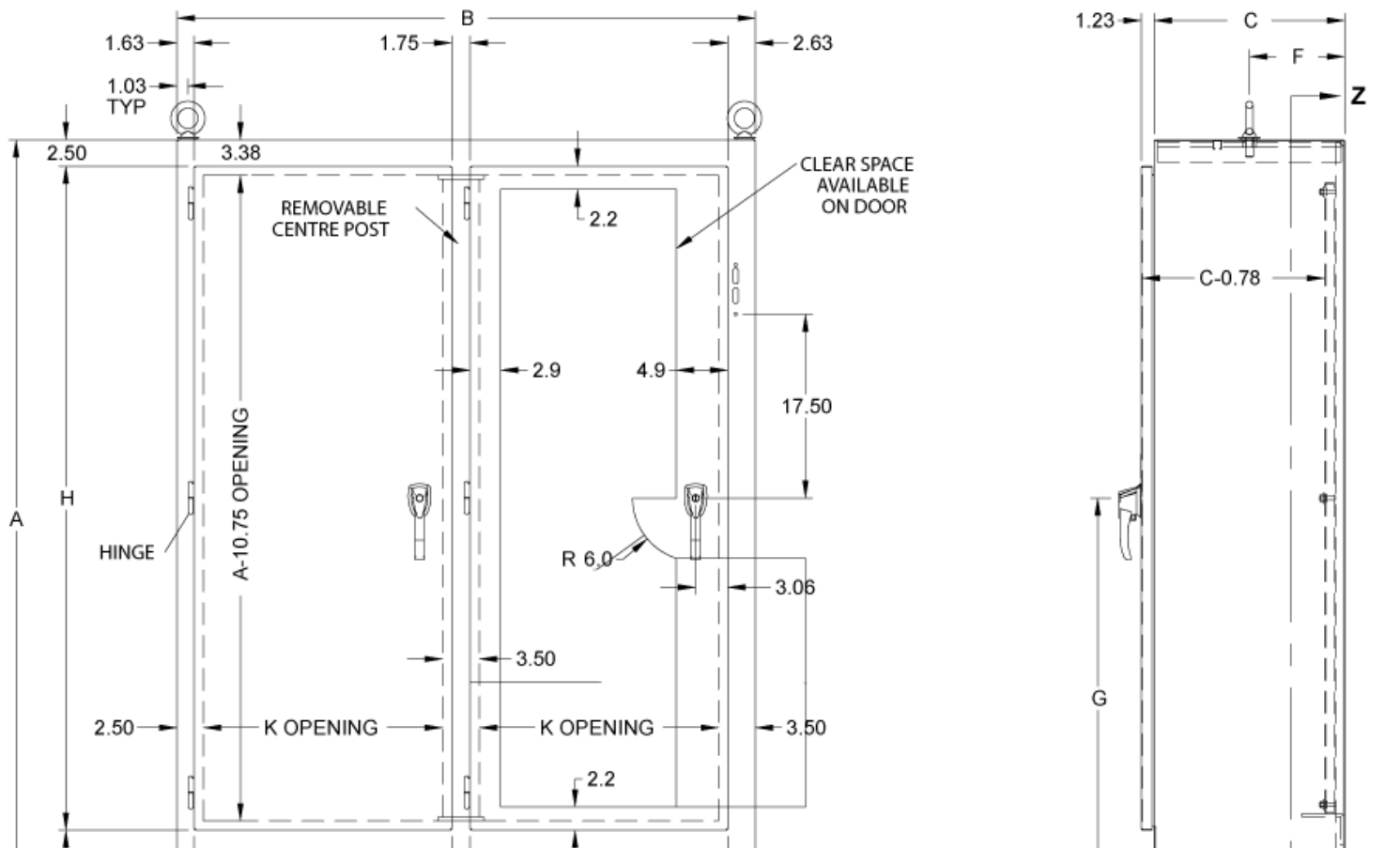
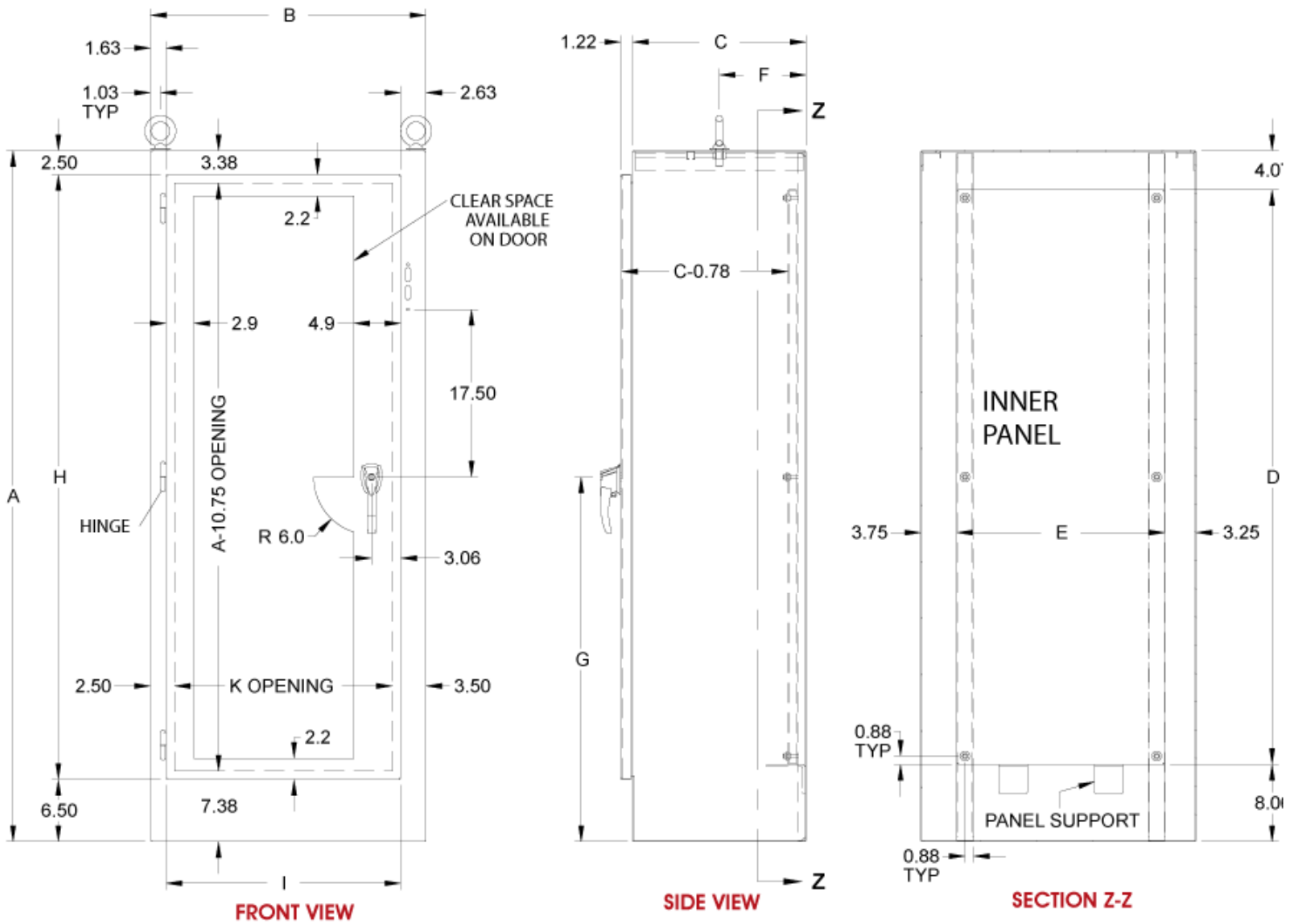
- Disconnect switches, circuit breakers and operators are not provided with the enclosure, and must be ordered separately from the manufacturer.

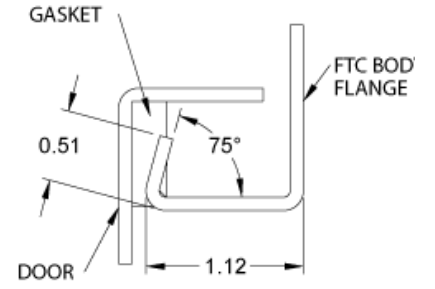
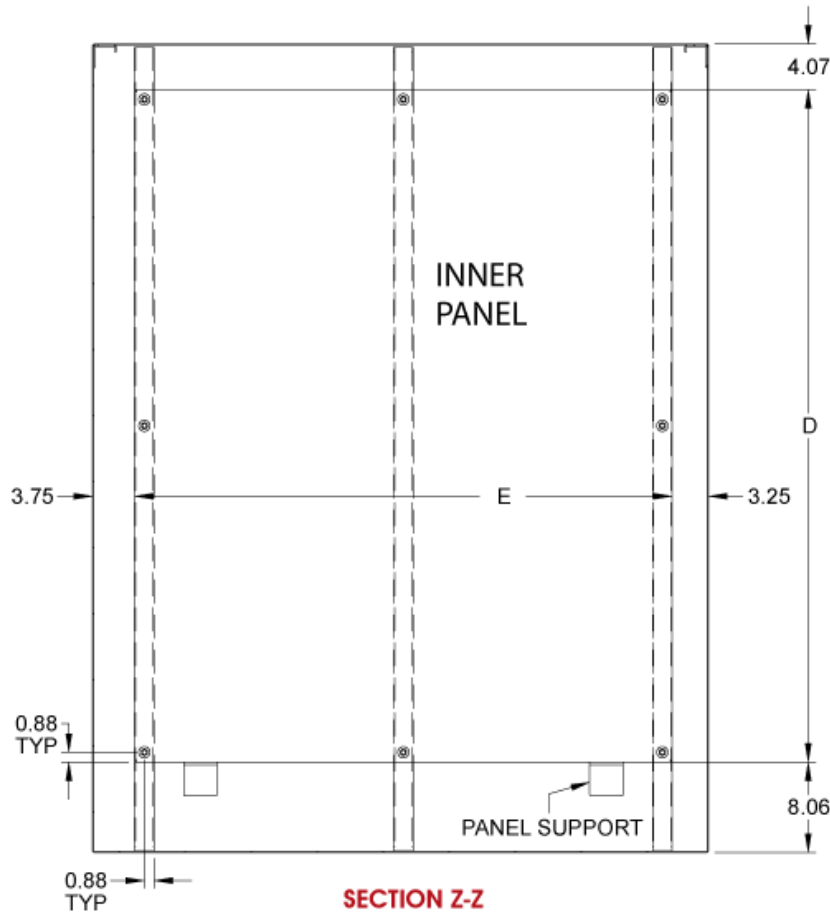
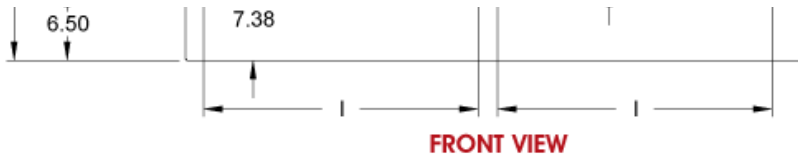
Finish

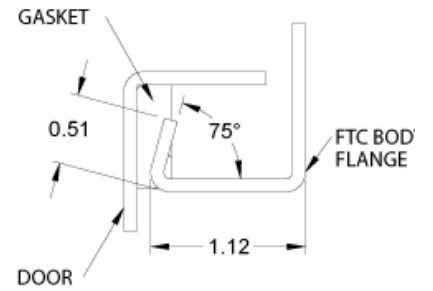
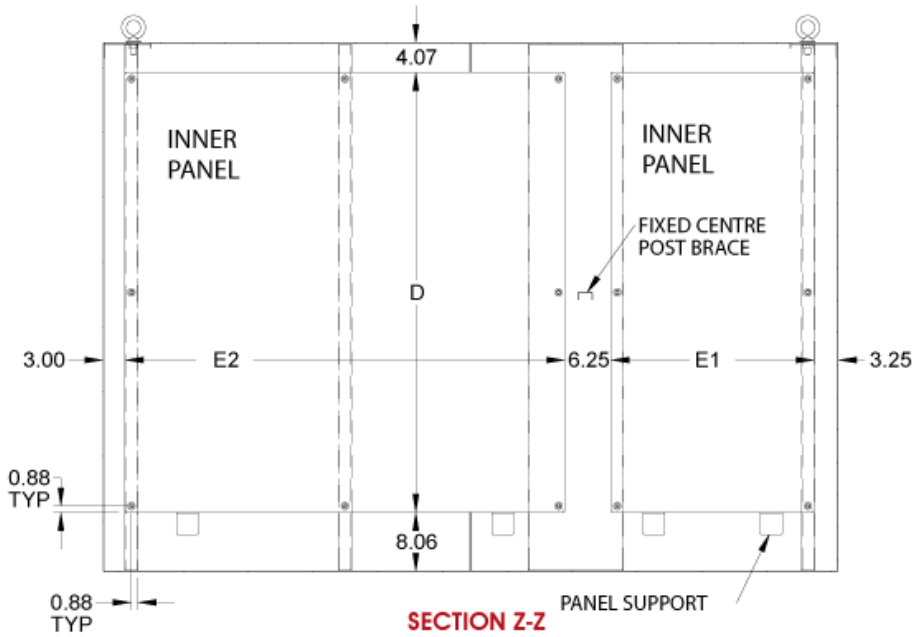
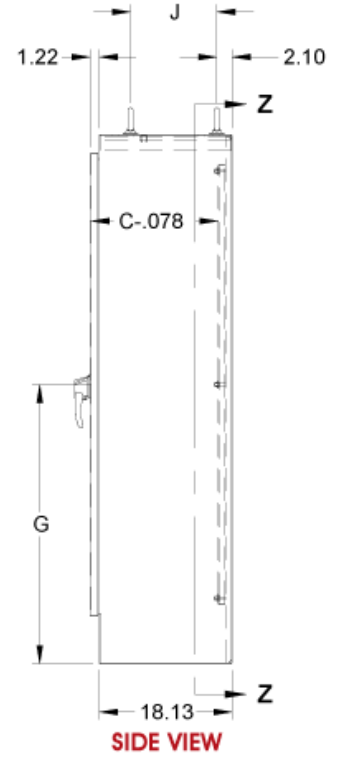
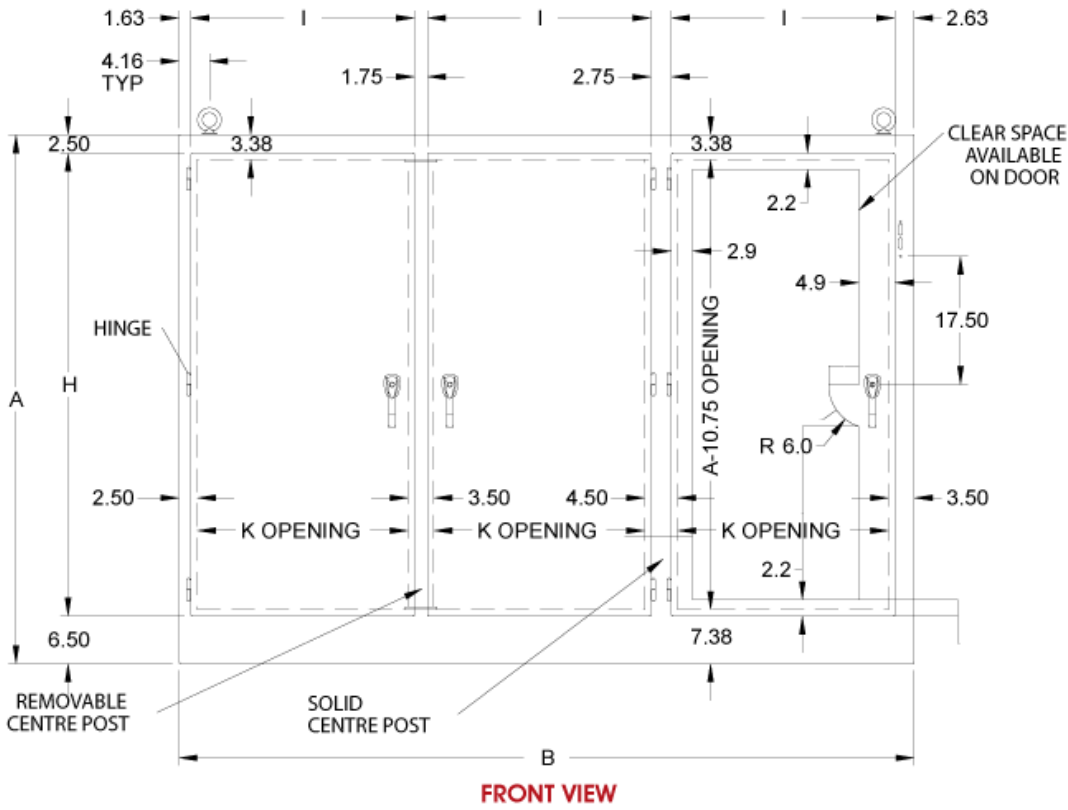
- Door and enclosure are natural stainless steel with a smooth, brushed finish..
- Inner panel(s) is finished in white powder coating.

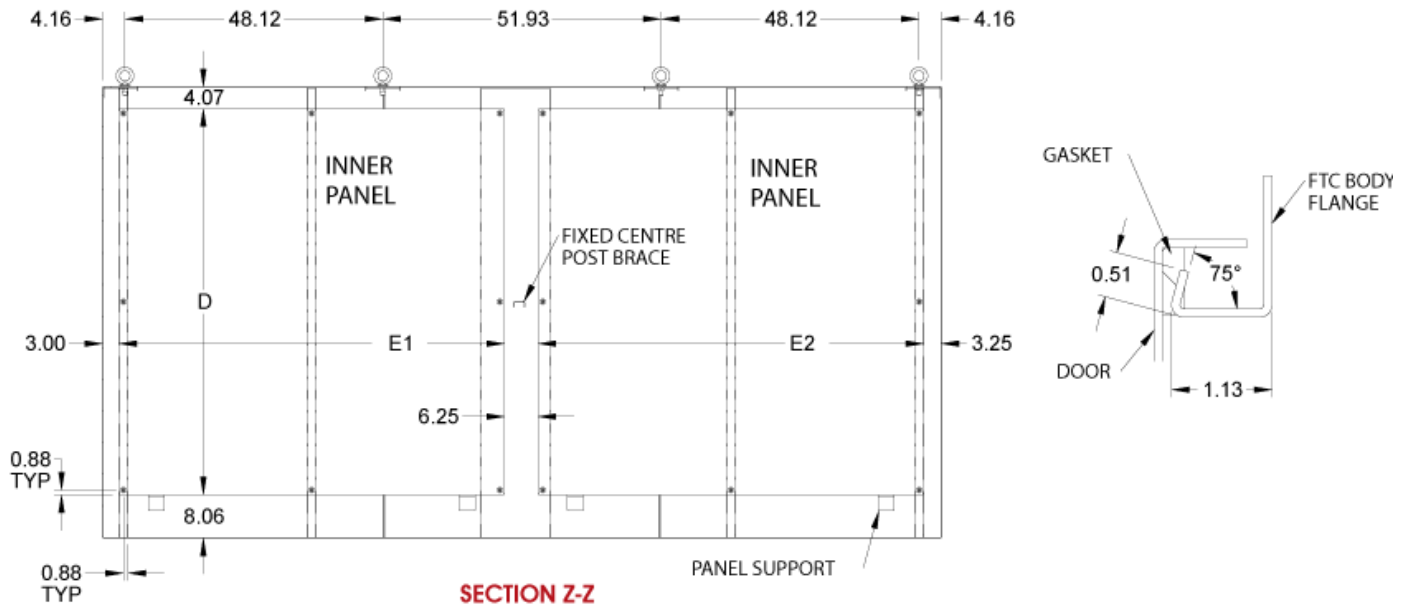
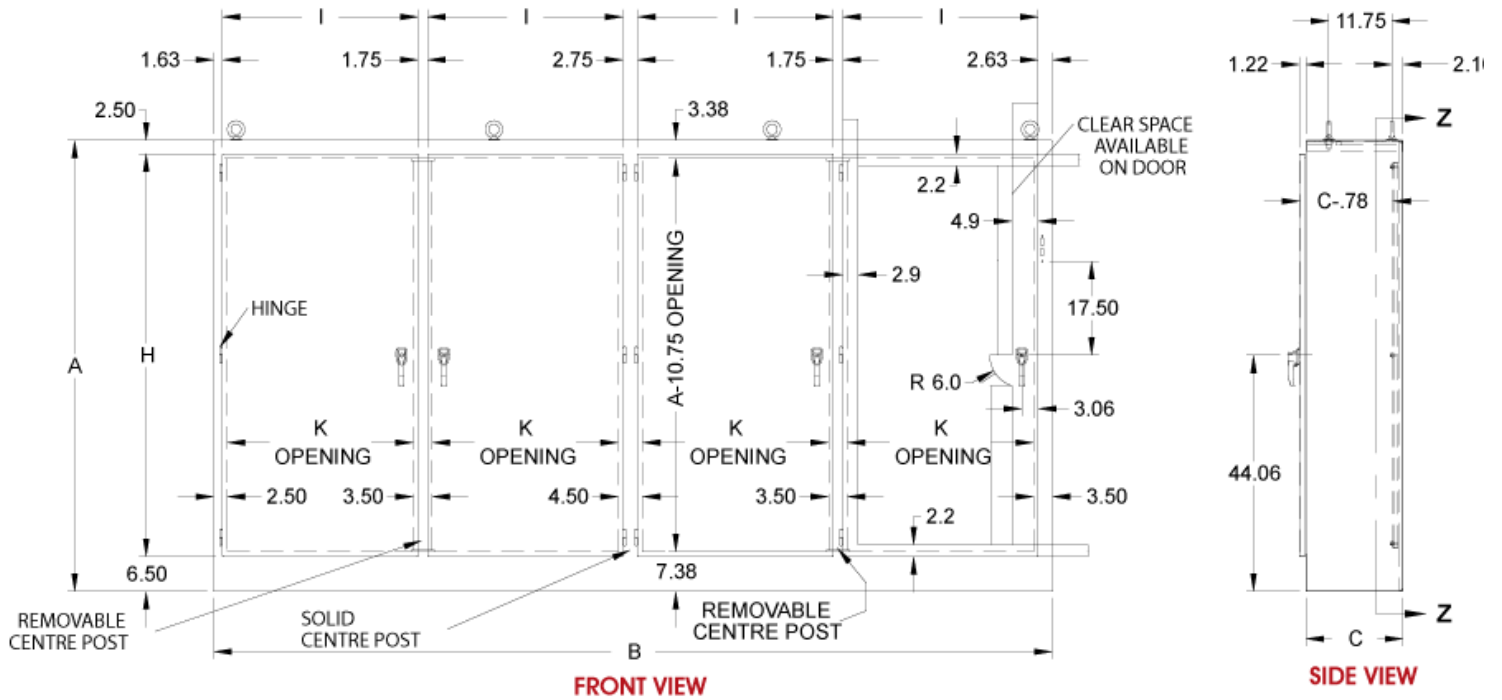
Accessories

- Cooling Products
- Ventilation
- Filtered Fans
- Lighting
- Ground Wire Kits
- Blowers and Fans
- Door Stop Kit
- Heaters
- Temperature Controls









Part No.	Overall Dimensions			Panel Size				H	I	K	Ship Wt. (lbs)
	A	B	C	D	E	F	G				
1UHD722918N4SS	72.13	28.75	18.13	60.00	21.75	9.06	38.06	63.13	24.50	22.75	433
1UHD723518N4SS	72.13	34.75	18.13	60.00	27.75	9.06	38.06	63.13	30.50	28.75	499
1UHD724118N4SS	72.13	40.75	18.13	60.00	33.75	9.06	38.06	63.13	36.50	34.75	565
1UHD844118N4SS	84.13	40.75	18.13	72.00	33.75	9.06	44.06	75.13	36.50	34.75	650
1UHD844124N4SS	84.13	40.75	24.13	72.00	33.75	12.06	44.06	75.13	36.50	34.75	720
1UHD904118N4SS	90.13	40.75	18.13	78.00	33.75	9.06	47.06	81.13	36.50	34.75	670
1UHD904120N4SS	90.13	40.75	20.13	78.00	33.75	10.06	47.06	81.13	36.50	34.75	718
1UHD904124N4SS	90.13	40.75	24.13	78.00	33.75	12.06	47.06	81.13	36.50	34.75	766

Part No.	Overall Dimensions			Panel Size				H	I	K	Ship Wt. (lbs)
	A	B	C	D	E	F	G				

Part No.	Overall Dimensions			Panel Size							Ship Wt. (lbs)
	A	B	C	D	E	F	G	H	I	K	
2UHD725518N4SS	72.13	55.00	18.13	60.00	48.00	9.06	38.06	63.13	24.50	22.75	751
2UHD726718N4SS	72.13	67.00	18.13	60.00	60.00	9.06	38.06	63.13	30.50	28.75	903
2UHD727918N4SS	72.13	79.00	18.13	60.00	72.00	9.06	38.06	63.13	36.50	34.75	1036
2UHD727924N4SS	72.13	79.00	24.13	60.00	72.00	12.06	38.06	63.13	36.50	34.75	1199
2UHD847918N4SS	84.13	79.00	18.13	72.00	72.00	9.06	44.06	75.13	36.50	34.75	1121
2UHD847924N4SS	84.13	79.00	24.13	72.00	72.00	12.06	44.06	75.13	36.50	34.75	1280
2UHD907918N4SS	90.13	79.00	18.13	78.00	72.00	9.06	47.06	81.13	36.50	34.75	1237
2UHD907920N4SS	90.13	79.00	20.13	78.00	72.00	10.06	47.06	81.13	36.50	34.75	1297
2UHD907924N4SS	90.13	79.00	24.13	78.00	72.00	12.06	47.06	81.13	36.50	34.75	1356

Part No.	Overall Dimensions			Panel Size							Ship Wt. (lbs)	
	A	B	C	D	E1	E2	G	H	I	J		K
3UHD7210118N4SS	72.13	100.25	18.13	60.00	27.75	60.00	38.06	63.13	30.50	11.75	28.75	1269
3UHD7211918N4SS	72.13	118.25	18.13	60.00	33.75	72.00	38.06	63.13	36.50	11.75	34.75	1497
3UHD8411918N4SS	84.13	118.25	18.13	72.00	33.75	72.00	44.06	75.13	36.50	11.75	34.75	1727
3UHD8411924N4SS	84.13	118.25	24.13	72.00	33.75	72.00	44.06	75.13	36.50	17.75	34.75	1839
3UHD9011924N4SS	90.13	118.25	24.13	78.00	33.75	72.00	47.06	81.13	36.50	17.75	34.75	1958

Part No.	Overall Dimensions			Panel Size						Ship Wt. (lbs)
	A	B	C	D	E1	E2	H	I	K	
4UHD8415718N4SS	84.13	156.50	18.13	72.00	72.00	72.00	75.13	36.50	34.75	2271
4UHD9015718N4SS	90.13	156.50	18.13	78.00	72.00	72.00	81.13	36.50	34.75	2361

Data subject to change without notice

© 2017. Hammond Manufacturing Ltd. All rights reserved.