

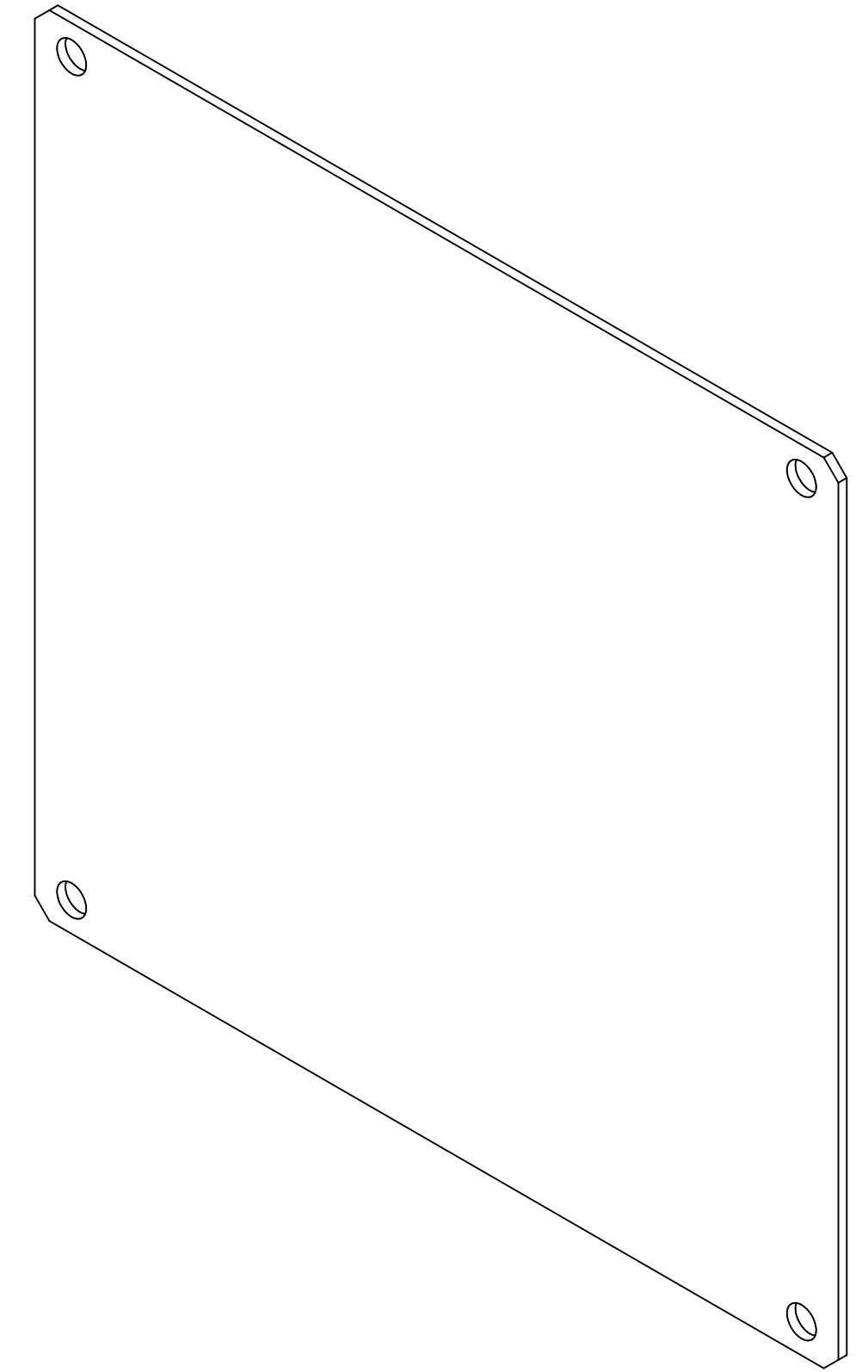
PART No. PCJR0808

for more information visit

www.hammondmfg.com

Data subject to change without notice

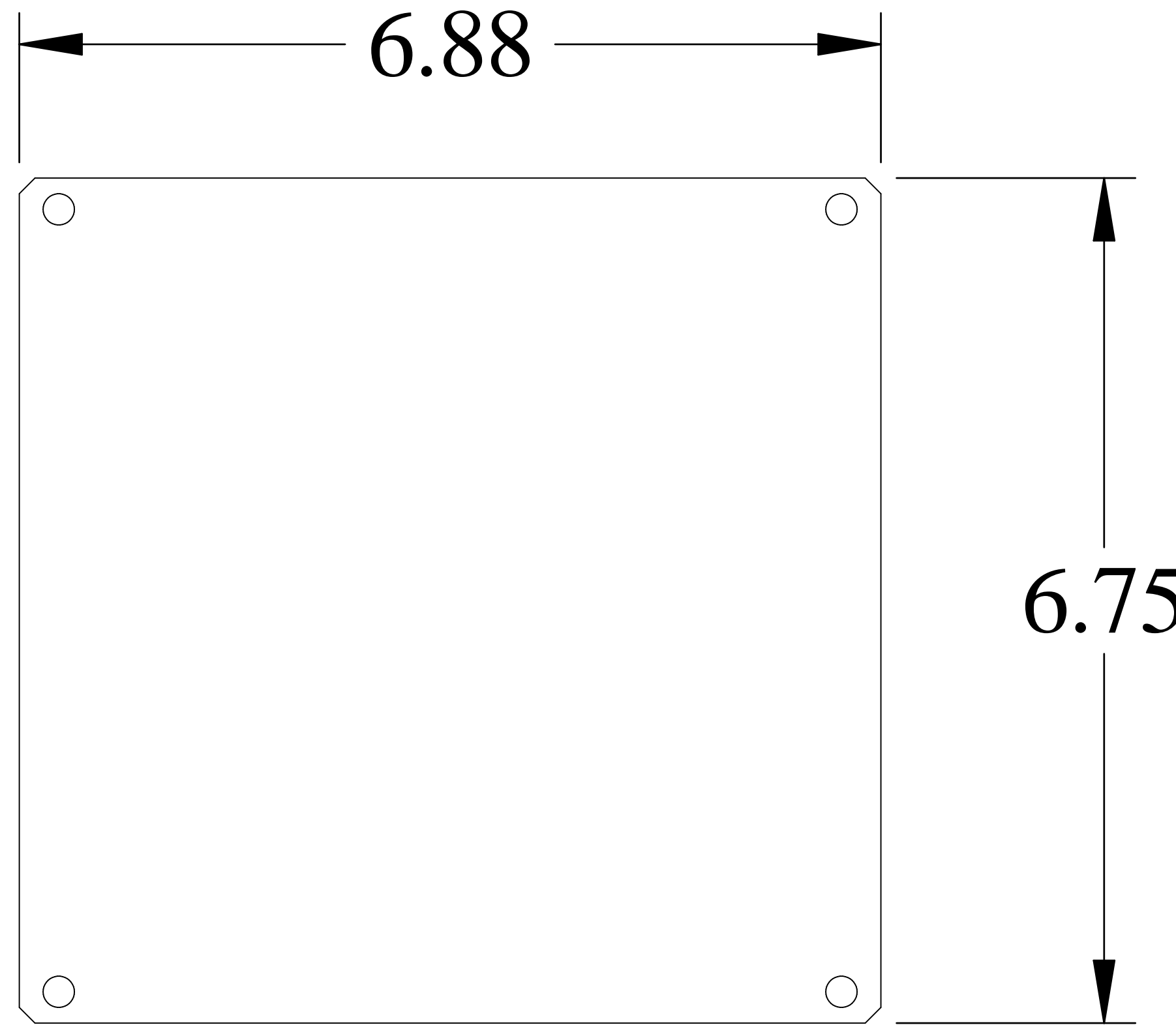
Isometric drawing Not to Scale



ISOMETRIC VIEW



SIDE VIEW



FRONT VIEW